

M-9239 6

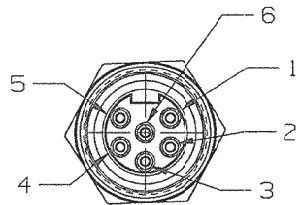


FIGURE 1

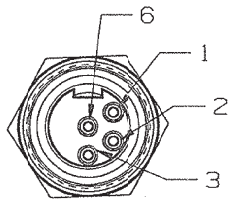


FIGURE 2

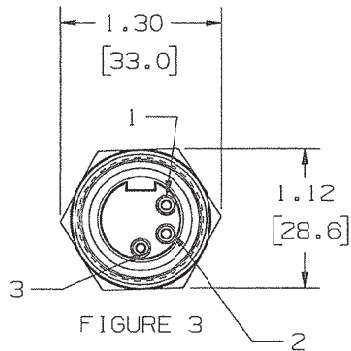
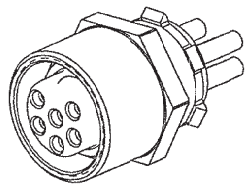


FIGURE 3



6 POLE CONFIGURATION

NOTES: UNLESS OTHERWISE SPECIFIED:

1. UL LISTED (PRODUCT CATEGORY CYJV). NOT FOR CURRENT INTERRUPT, RATING 20A/600V.

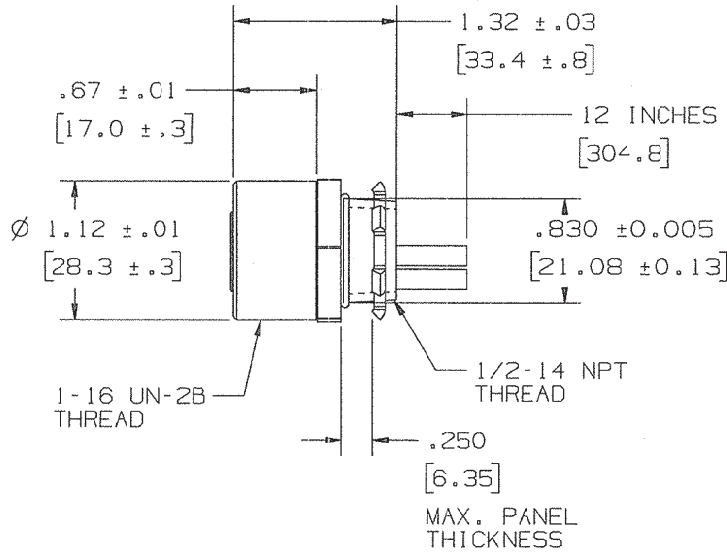
WIRE - LISTED TYPE MTW

2. DIMENSIONS ARE IN INCHES [mm].

3. THESE DEVICES SHALL CONFORM TO LINKOSITY SPECIFICATIONS -0015, -0177.

4. LINKOSITY™ IS A TRADEMARK OF LOCKHEED MARTIN.

CODE 745-6



CATALOG NO. (XXX INDICATES LENGTH)	FIGURE NO.	WIRE NO.	WIRE COLOR	NUMBER OF POLES	AMPS
RF2306FBXXX	1	1	BLACK	6	20
		2	WHITE		
		3	GREEN/YELLOW		
		4	BLACK		
		5	BLACK		
		6	GREEN/YELLOW		
RF2304FBXXX	2	1	BLACK	4	20
		2	WHITE		
		3	GREEN/YELLOW		
RF2303FBXXX	3	1	BLACK	3	20
		2	WHITE		
		3	GREEN/YELLOW		
RF2304PAXXX	2	1	BLACK	4	20
		2	BLACK		
		3	GREEN/YELLOW		
		6	GREEN/YELLOW		

LIST OF PARTS

DESCRIPTION	MATERIAL	FINISH
RECEPTACLE SHELL	BRASS	NICKEL PLATED
INSULATOR	NYLON	WHITE
LOCKNUT	STEEL	ZINC PLATED
O-RING	RUBBER	BLACK
O-RING	RUBBER	BLACK
SOCKET CONTACT	COPPER ALLOY	GOLD OVER Pd/Ni
WIRE 10 & 12 AWG	COPPER	STRANDS
POTTING COMPOUND		BLACK

6	IN TABLE FOR FIGURE "1" WIRE COLOR DESCRIPTION "BLACK" WAS "WHITE" PER DCN 18E07. MYA	EJM	4/27/12
5	10/26/05 ADDED RF2304PAXXX TO TABLE PER DCN 12683 FCM	JPP	10/26/05
4	4/13/05 ADDED FIGURE 3; UPDATED TABLE & ADDED NOTES PER DCN 12316 CAC	CAC	4/13/05
3	8/16/04 CAT. NO. "RF..." WAS "RM..." PER DCN 11927	RDK	
2	3/11/04 REMOVED 0000 FROM CAT.# 1R 4 PLACES PER DCN 11562 MJM RDK	RDK	3/12/04
1	12/18/03 RELEASED PER DCN #11253 MJM RDK	RDK	12/22/03
SYM	REVISIONS	APP	DATE

THE DESIGN AND DIMENSIONS OF THE PRODUCT SHOWN ON THIS DRAWING ARE SUBJECT TO CHANGE WITHOUT NOTICE

TITLE FEMALE RECEPTACLE LINKOSITY™ HEX MOUNT, 600V

TOLERANCES UNLESS OTHERWISE SPECIFIED	WIRING DEVICE-KELLEMS HUBBELL INCORPORATED BRIDGEPORT, CT	
FRACTIONS ± 1/64	DR. BY MJM	APP. BY RDK
DECIMALS ± .005	TR. BY	SCALE NONE
ANGLES ± 2°	CHK'D BY RDK	DATE 12/11/03

DIMENSION SHEET FOR CAT. NO. M-9239
 SEE TABLE
 REPAIRABLE
 NON REPAIRABLE