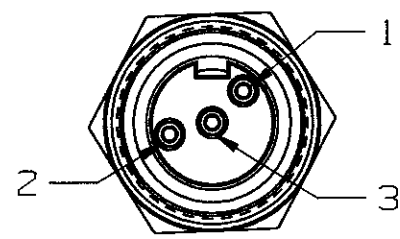
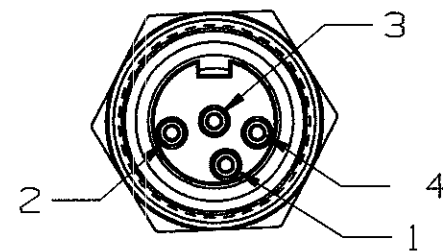


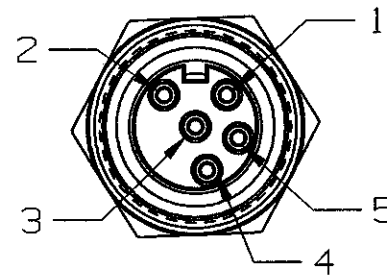
M-10987 1



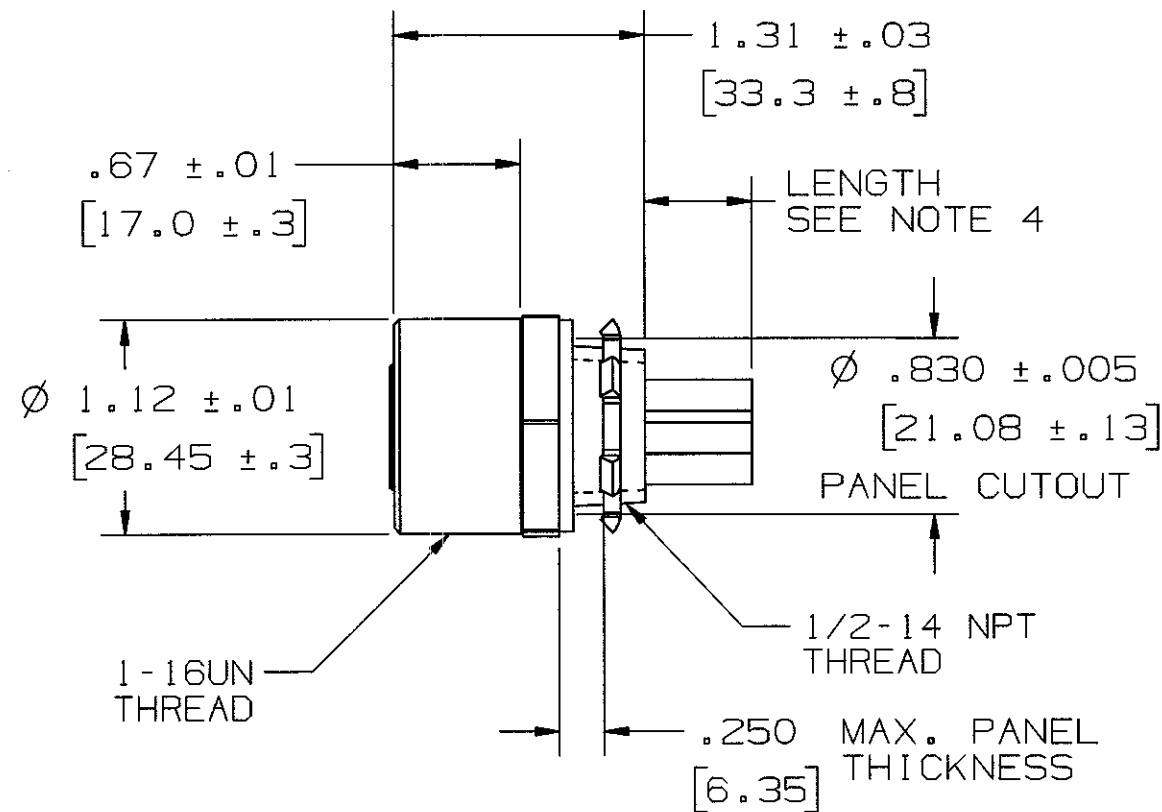
3 POLE



4 POLE



5 POLE



NOTES UNLESS OTHERWISE SPECIFIED:

1. CSA CERTIFIED FOR HAZARDOUS LOCATIONS CLASS 1, DIVISION 2, GROUPS A, B, C, & D. NOT FOR CURRENT INTERRUPT, RATING 20A 600VAC MAX.
2. DIMENSIONS ARE IN INCHES [mm].
3. LINKOSITY™ IS A TRADEMARK OF LOCKHEED MARTIN.
4. THE "XXX" IN CATALOG NUMBER DENOTES LENGTH OF WIRE IN FEET. RF2703PB Q Q 5 HAS 5 FEET (1.5m) OF WIRE.

LIST OF PARTS

DESCRIPTION	MATERIAL	FINISH
RECEPTACLE SHELL	STAINLESS	PASSIVATE
INSULATOR	NYLON	WHITE
LOCKNUT	STEEL	ZINC
O-RING	RUBBER	BLACK
GASKET	RUBBER	YELLOW
SOCKET CONTACT	COPPER ALLOY	GOLD OVER Pd/Ni
WIRE 12 AWG	COPPER	STRANDED
POTTING COMPOUND	EPOXY	BLACK

DIMENSION SHEET FOR CAT. NO. SEE TABLE

REPAIRABLE  NON-REPAIRABLE

CATALOG NO. SEE NOTE 4	WIRE NO.	WIRE COLOR	NUMBER OF POLES
RF2703PBXXX	1	BLACK	3
	2	WHITE	
	3	GREEN/YELLOW	
RF2704PBXXX	1	BLACK	4
	2	WHITE	
	3	GREEN/YELLOW	
	4	BLACK	
RF2705PBXXX	1	BLACK	5
	2	WHITE	
	3	GREEN/YELLOW	
	4	BLACK	
	5	BLACK	

1	RELEASE PER DCN# 14885 PJT <i>D.H.</i>	5/13/08
SYM	REVISIONS	APP DATE

THE DESIGN AND DIMENSIONS OF THE PRODUCT SHOWN ON THIS DRAWING ARE SUBJECT TO CHANGE WITHOUT NOTICE

TITLE  
20A FEMALE LINKOSITY™ RECEPTACLE ASSEMBLY

TOLERANCES UNLESS OTHERWISE SPECIFIED	WIRING DEVICE-KELLEMS HUBBELL INCORPORATED BRIDGEPORT, CT	
FRACTIONS ± 1/64	DR. BY PJT	APP. BY <i>D.H.</i>
DECIMALS ± .005	TR. BY	SCALE NONE
ANGLES ± 2°	CHK'D BY <i>D.H.</i>	DATE 4/4/08

B

M-10987

1