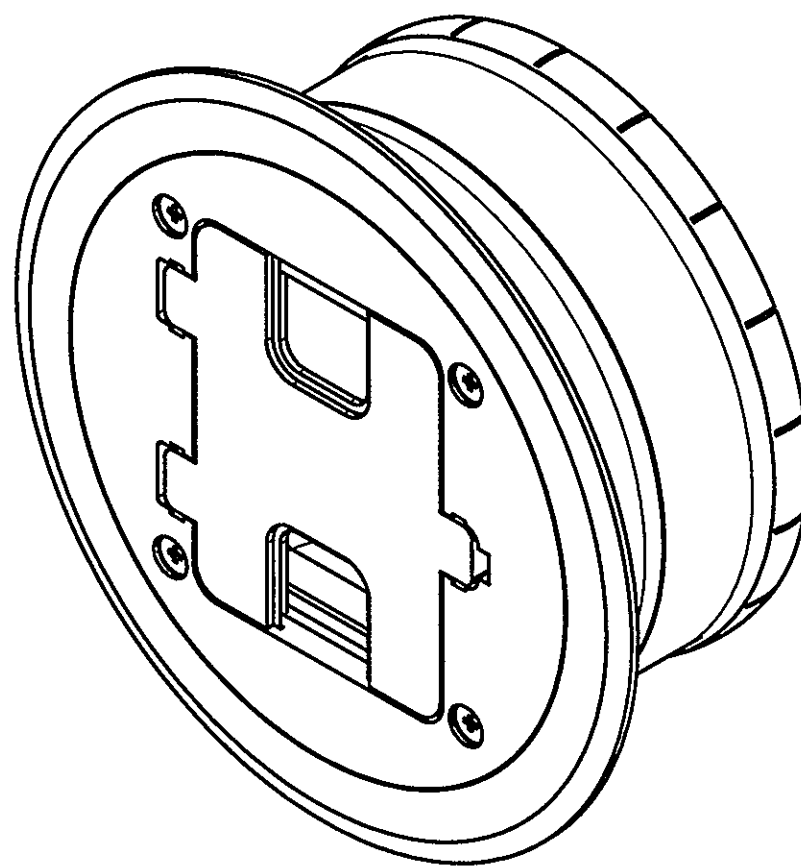
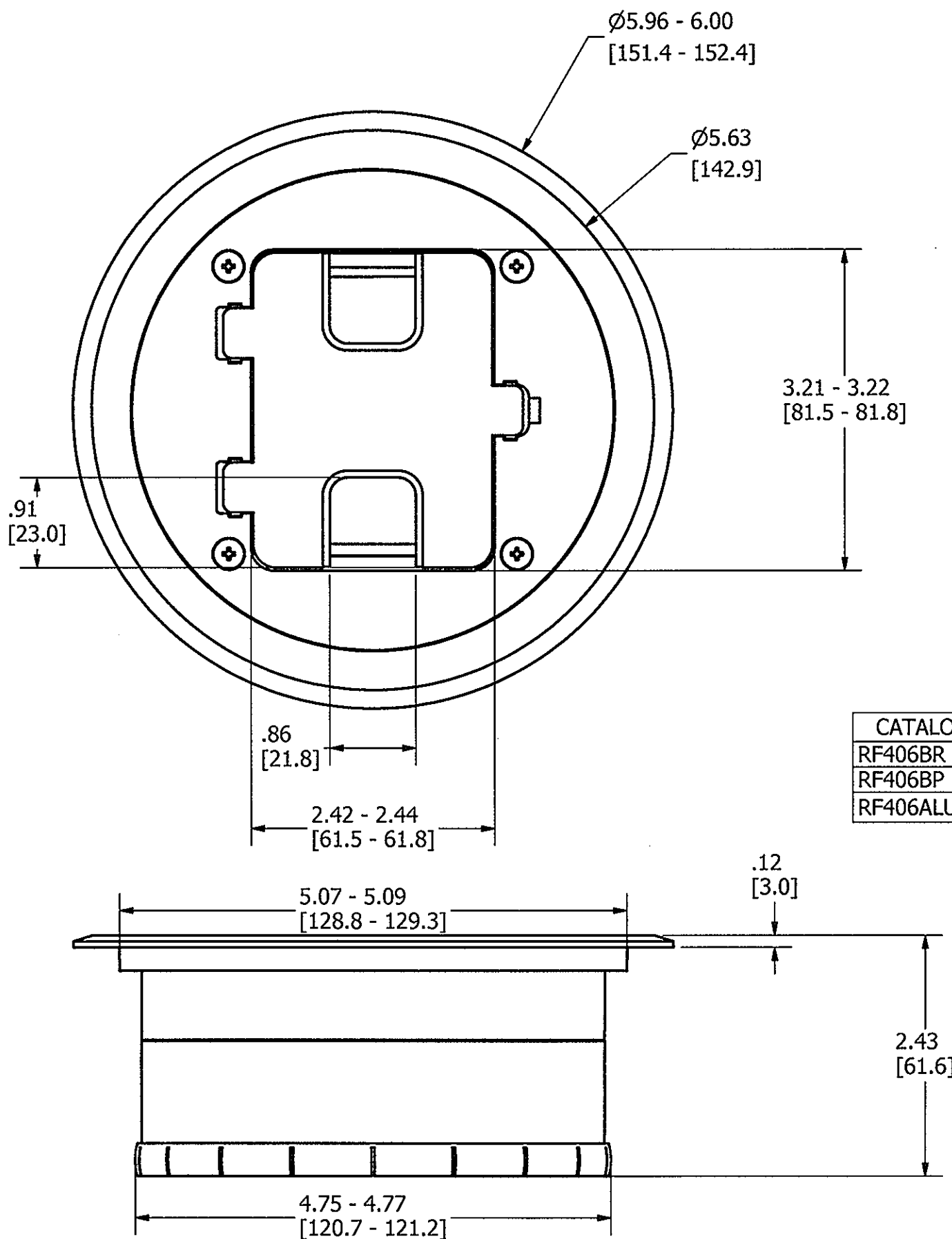


M-12517

1



CATALOG #	FINISH	PLATING	MATERIAL
RF406BR	BRUSHED	NONE	BRASS
RF406BP	BRUSHED	BRASS PLATED	ALUMINUM
RF406ALU	BRUSHED	NONE	ALUMINUM

NOTES:
 1) ALL DIMENSIONS ARE IN INCHES AND [MILLIMETERS].
 2) ALL CATALOG NUMBERS ARE USED WITH RF400 SERIES FLOOR BOXES, SOLD SEPERATELY.

LIST OF PARTS

DESCRIPTION	MATERIAL	FINISH
COVER ASSY.	SEE TABLE	SEE TABLE
COVER FLANGE	SEE TABLE	SEE TABLE
CARPET FLANGE	SEE TABLE	SEE TABLE
MOUNTING RING	THERMOPLASTIC	
CARPET FLANGE RETAINER	THERMOPLASTIC	
GASKET	ELASTOMER	
RECEPTACLE FLANGE	ALUMINUM	POWDER COAT
SCREWS	STEEL	ZINC PLATED
SCREWS	BRASS	

DIMENSION SHEET FOR CAT. NO. SEE TABLE

REPAIRABLE

NON-REPAIRABLE

B

M-12517

1

1	RELEASED PER DCN# 20144	EMD	11/5/2013
SYM	DESCRIPTION	APPRO	DATE

THE DESIGN AND DIMENSIONS OF THE PRODUCT SHOWN ON THIS DRAWING ARE SUBJECT TO CHANGE WITHOUT NOTICE

TITLE
 SLAB ON GRADE FLOOR BOX COVER, CARPET MOUNT

TOLERANCES UNLESS OTHERWISE SPECIFIED FRACTIONS ±1/64 DECIMALS ±.005 ANGLES ±2°	WIRING DEVICE-KELLENS HUBBELL INCORPORATED SHELTON, CT			
	DR. BY	EMD	APP. BY	EMD <i>MJ</i>
	TR. BY		SCALE	NO SCALE
	CHK'D BY	<i>MJ</i>	DATE	11/5/2013