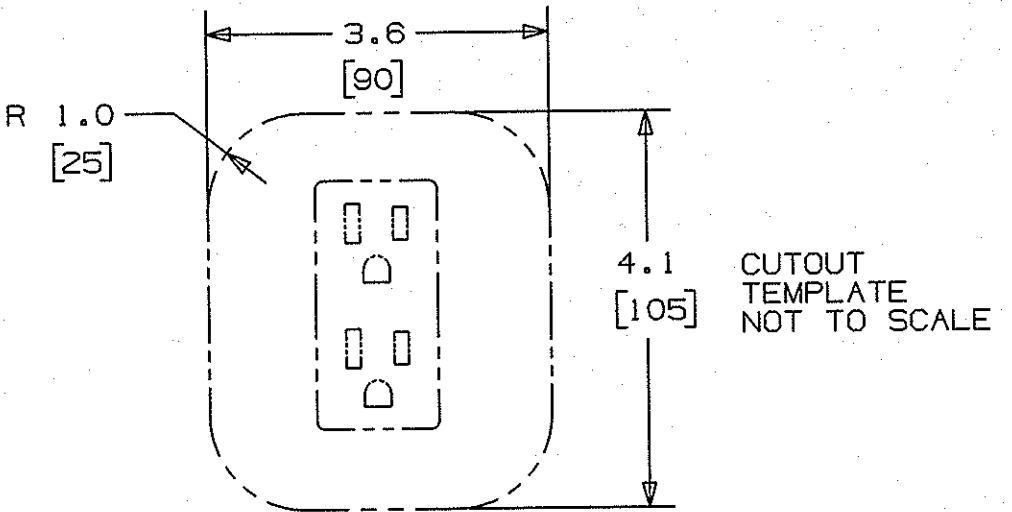
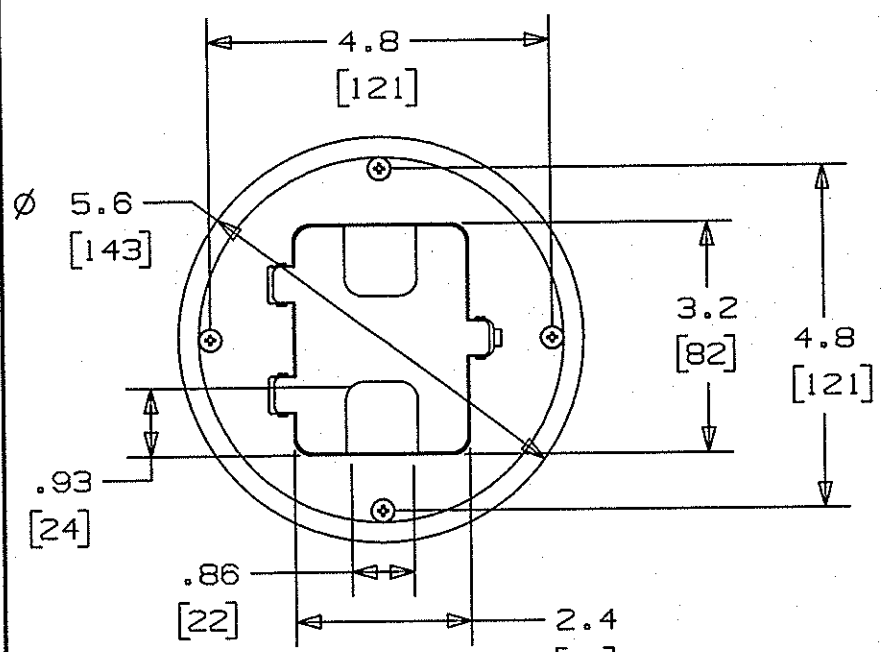
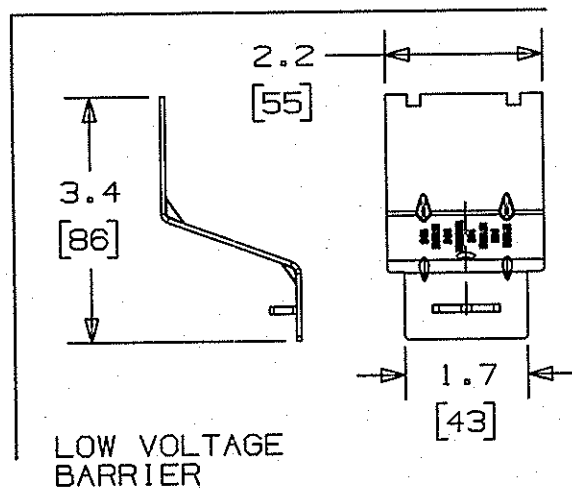
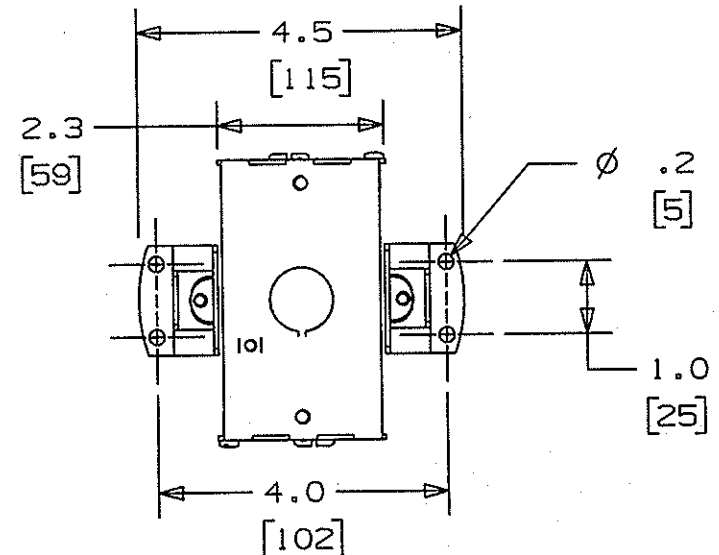
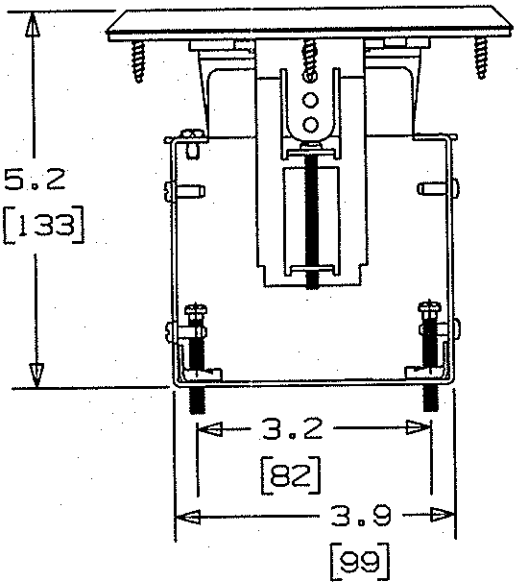
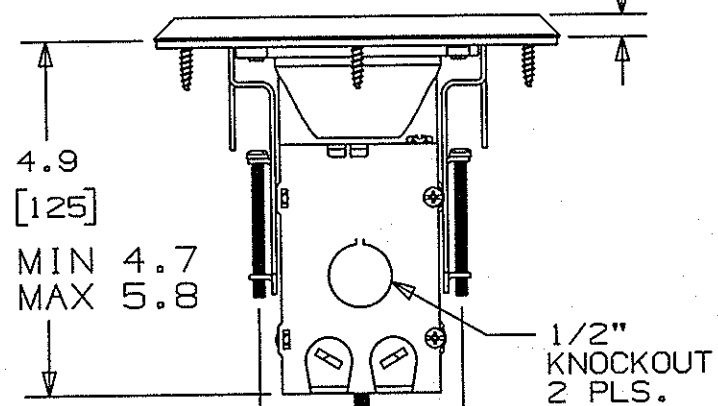


M-10345 4

NOTES:  
(UNLESS OTHERWISE SPECIFIED)  
1. DIMENSIONS ARE IN INCHES [MM]  
2. BOX CAPACITY 28 CUBIC INCH.



NOTE:  
RF506BR IS .2 [6]



CATALOG	FINISH	DISCRIPTION
RF500	STEEL	FLOOR BOX ONLY
RF506AL	PAINTED ALMOND	FLANGE AND DOOR COVER
RF506BK	PAINTED BLACK	FLANGE AND DOOR COVER
RF506SS	STAINLESS STEEL	FLANGE AND DOOR COVER
RF506CU	BRUSHED COPPER	FLANGE AND DOOR COVER
RF506CH	POLISHED CHROME	FLANGE AND DOOR COVER
RF506NI	BRUSHED NICKEL	FLANGE AND DOOR COVER
RF506BN	PAINTED BROWN	FLANGE AND DOOR COVER
RF506BP	PLATED BRUSHED BRASS	FLANGE AND DOOR COVER
RF506BR	SOLID BRUSHED BRASS	FLANGE AND DOOR COVER
RF507AL	PAINTED ALMOND	COVER ASSY.
RF507BK	PAINTED BLACK	COVER ASSY.
RF507SS	STAINLESS STEEL	COVER ASSY.
RF507CU	BRUSHED COPPER	COVER ASSY.
RF507CH	POLISHED CHROME	COVER ASSY.
RF507NI	BRUSHED NICKEL	COVER ASSY.
RF507BN	PAINTED BROWN	COVER ASSY.
RF507BP	PLATED BRUSHED BRASS	COVER ASSY.
RF507BR	SOLID BRUSHED BRASS	COVER ASSY.
RF515AL	PAINTED ALMOND	FLOOR BOX KIT
RF515BK	PAINTED BLACK	FLOOR BOX KIT
RF515SS	STAINLESS STEEL	FLOOR BOX KIT
RF515CU	BRUSHED COPPER	FLOOR BOX KIT
RF515CH	POLISHED CHROME	FLOOR BOX KIT
RF515NI	BRUSHED NICKEL	FLOOR BOX KIT
RF515BN	PAINTED BROWN	FLOOR BOX KIT
RF515BP	PLATED BRUSHED BRASS	FLOOR BOX KIT
RF515BR	SOLID BRUSHED BRASS	FLOOR BOX KIT

LIST OF PARTS		
DESCRIPTION	MATERIAL	FINISH
COVER ASSY	ALUMINUM	POWDER COAT
COVER ASSY	ALUMINUM	PLATED
COVER ASSY	BRASS	
FLANGE	ALUMINUM	POWDER COAT
FLANGE	ALUMINUM	PLATED
FLANGE	BRASS	
RECT FLANGE	ALUMINUM	BLK PAINT
GASKET	NEOPRENE	
SCREWS	STEEL	
BOX	STEEL	
VOLTAGE BARRIER	STEEL	

SYM	REVISIONS	APP	DATE
4	12/11/09 REVISED RECEPT. FLANGE PER EC16200		12/11/09
3	11/23/09 UPDATED PARTS LIST PER EC 16150		11/23/09
2	8/20/09 REMOVED OUTLET BOX AND REPLACED WITH D6302001 RELEASED PER EC 15936		8/20/09
1	10/24/07 REVISED AND RELEASED FOR PRODUCTION PER EC 14355		10/24/07

THE DESIGN AND DIMENSIONS OF THE PRODUCT SHOWN ON THIS DRAWING ARE SUBJECT TO CHANGE WITHOUT NOTICE

TITLE  
WOOD FLOOR BOX

TOLERANCES UNLESS OTHERWISE SPECIFIED	HUBBELL WIRING SYSTEMS BRIDGEPORT, CT.	
FRACTIONS ± 1/64	DR. BY DMP	APP. BY
DECIMALS ± .005	TR. BY	SCALE NONE
ANGLES ± 2°	CHK'D BY	DATE 6/13/07

DIMENSION SHEET FOR CAT. NO. SEE TABLE  
 REPAIRABLE  NON-REPAIRABLE   
 B M-10345 4