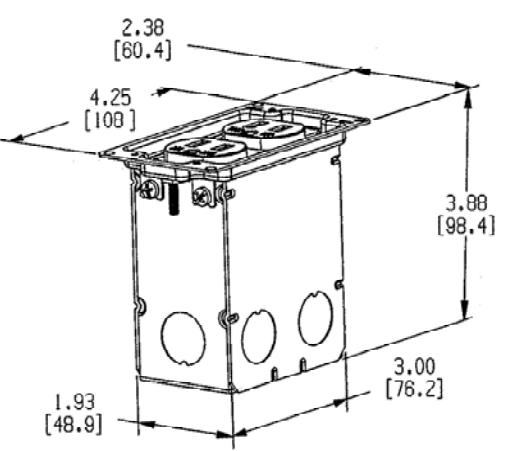
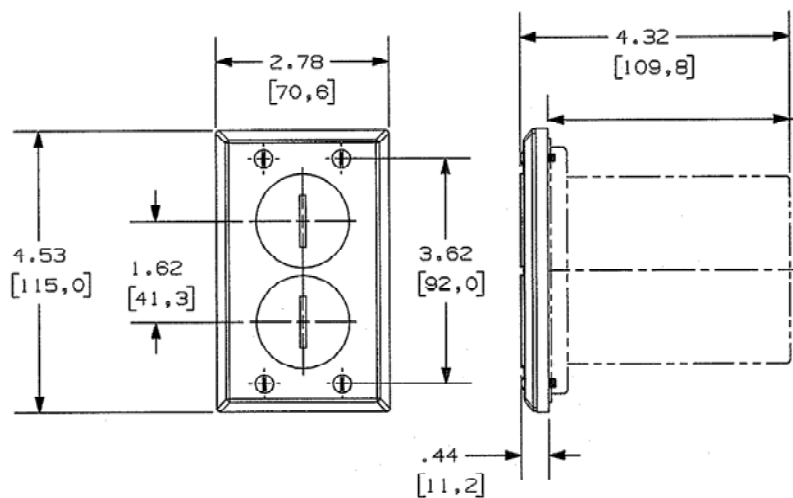


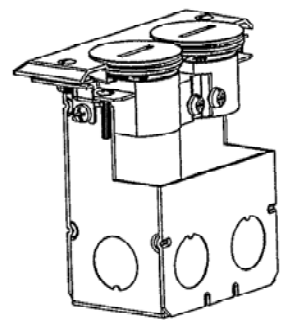
M-11690 1



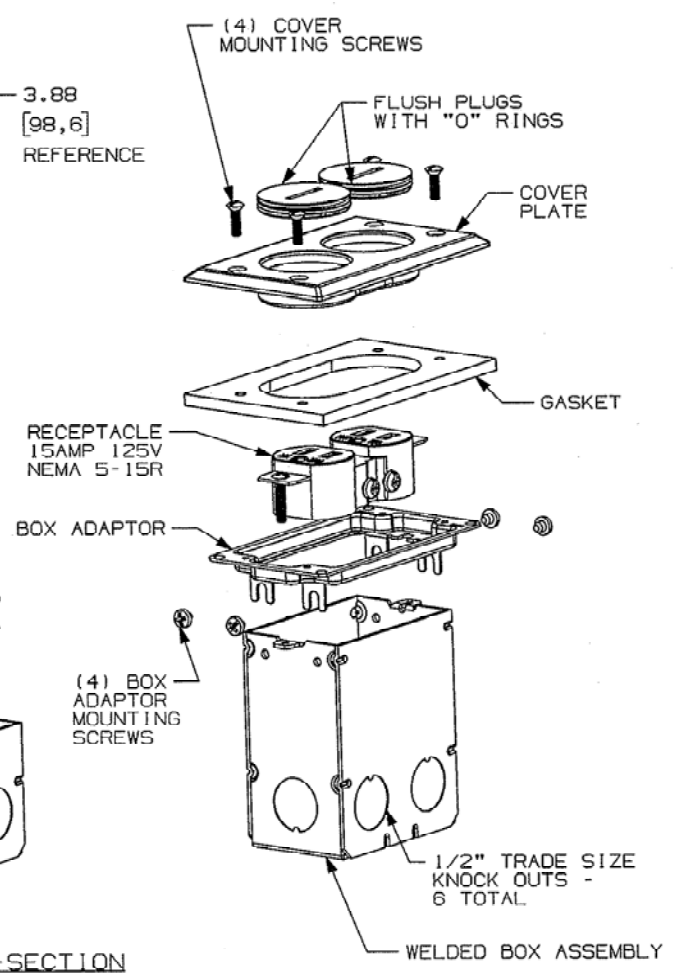
ISOMETRIC VIEW OF ASSEMBLED BOX, ADAPTOR & RECEPTACLE

NOTES:
 1) ALL DIMENSIONS ARE IN INCHES AND [MILLIMETERS].
 2) UNITS ARE SUPPLIED WITH (4) WOOD SCREWS FOR MOUNTING (NOT SHOWN).

CODE 74545



PARTIAL CROSS-SECTION OF FLOOR BOX ASSY



EXPLODED VIEW

CATALOG NUMBER	FINISH
RF6500BR	BRASS
RF6500NI	NICKEL PLATE

LIST OF PARTS

DESCRIPTION	MATERIAL	FINISH
BOX ASSEMBLY	STEEL	ZINC
BOX ADAPTOR	STEEL	ZINC
RECEPTACLE BODY	PVC	BLACK
RECEPT. MTG. BKT.	STEEL	ZINC
TERMINALS	BRASS
RECEPT. MTG. SCREWS	STEEL	ZINC
GASKET	NEOPRENE SPONGE	BLACK
COVER INSERT	SEE CHART	SEE CHART
COVER PLATE	BRASS	SEE CHART
FLUSH PLUGS	BRASS	SEE CHART
"O" RINGS	NITRILE	BLACK
COVER MTG. SCREWS	BRASS	SEE CHART
WOOD SCREWS	STEEL	ZINC
ADAPTOR MTG. SCREWS	STEEL	ZINC

1	RELEASED PER DCN17239	8/24/10
SYM	REVISIONS	APP DATE

THE DESIGN AND DIMENSIONS OF THE PRODUCT SHOWN ON THIS DRAWING ARE SUBJECT TO CHANGE WITHOUT NOTICE

TITLE
 FLOOR BOX WITH DUPLEX RECEPTACLE

TOLERANCES UNLESS OTHERWISE SPECIFIED FRACTIONS ± 1/64 DECIMALS ± .005 ANGLES ± 2°	WIRING DEVICE-KELLEMS HUBBELL INCORPORATED BRIDGEPORT, CT	
	DR. BY SRE	APP. BY
	TR. BY	SCALE 1:2
	CHK'D BY	DATE 8/24/10

DIMENSION SHEET FOR CNT. NO. SEE CHART

REPAIRABLE NON-REPAIRABLE

B

M-11690

1