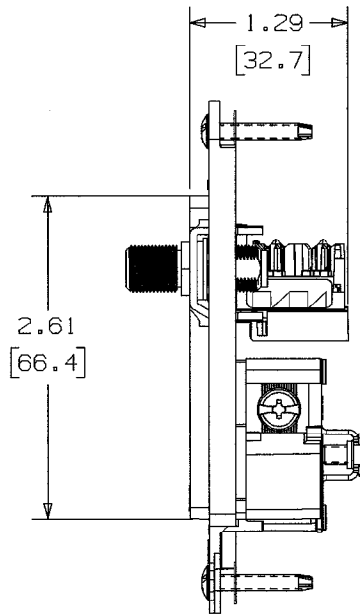
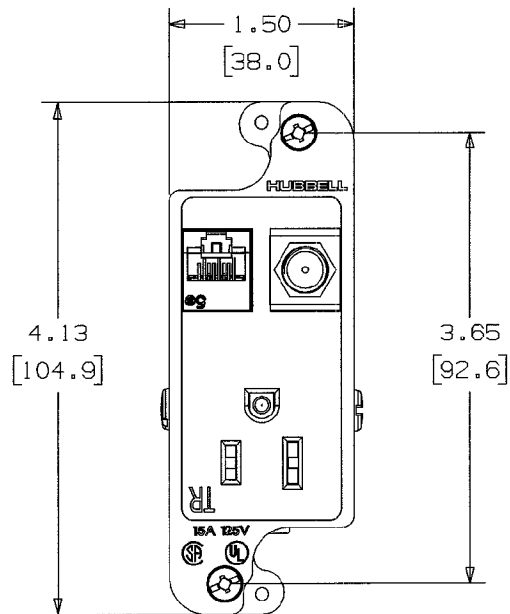


M-10734 1



NOTES: (UNLESS OTHERWISE SPECIFIED)

- 1.) DIMENSIONS ARE IN INCHES (MM).
- 2.) PACKED WITH VOLTAGE DIVIDERS AND 1 CAT 5E AND 1 F-CONNECTOR.
- 3.) NEMA 5-15R

CATALOG NO.	COLOR	CONFIG	RATING
RJ650ALTR	ALMOND	 NEMA 5-15R	15A, 125V
RJ650BKTR	BLACK		
RJ650GYTR	GRAY		
RJ650ITR	IVORY		
RJ650LATR	LIGHT ALMOND		
RJ650WTR	WHITE	 NEMA 5-20R	20A, 152V
RJ620ALTR	ALMOND		
RJ620BKTR	BLACK		
RJ620GYTR	GRAY		
RJ620ITR	IVORY		
RJ620LATR	LIGHT ALMOND		
RJ620WTR	WHITE		

LIST OF PARTS		
DESCRIPTION	MATERIAL	FINISH
FRAME	PLASTIC	
CONTACTS	BRASS	
MOUNTING SCREW	STEEL	ZINC
STRAP	STEEL	ZINC
DRIVE SCREW	STEEL	ZINC
BASE	PLASTIC	
WASHER	PLASTIC	
DIVIDER	PLASTIC	
TR ASSEMBLY	PLASTIC	

SYMBOL	REVISIONS	APP	DATE
1	RELEASE PER DCN# 14403	DMP	01/09/08

THE DESIGN AND DIMENSIONS OF THE PRODUCT SHOWN ON THIS DRAWING ARE SUBJECT TO CHANGE WITHOUT NOTICE

TITLE
TR JLOAD OUTLET FRAME

TOLERANCES UNLESS OTHERWISE SPECIFIED FRACTIONS ± 1/64 DECIMALS ± .005 ANGLES ± 2°	WIRING DEVICE-KELLEMS HUBBELL INCORPORATED BRIDGEPORT, CT.	
	DR. BY DMP	APP. BY
	TR. BY	SCALE NONE
	CHK'D BY	DATE 01/09/08

DIMENSION SHEET FOR CAT. NO. M-10734
 REPAIRABLE NON-REPAIRABLE