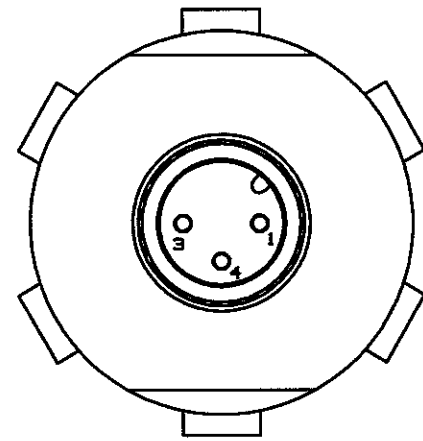
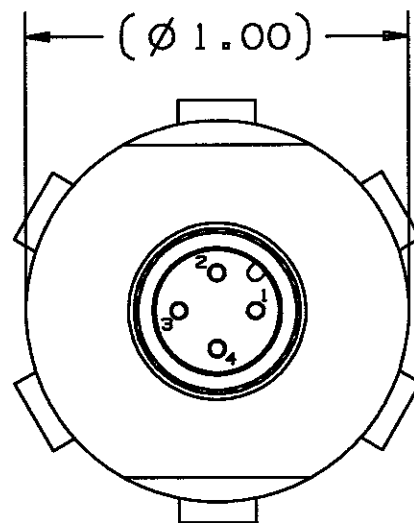


M-9484

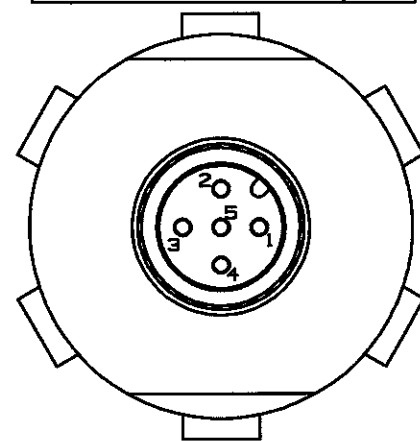
2



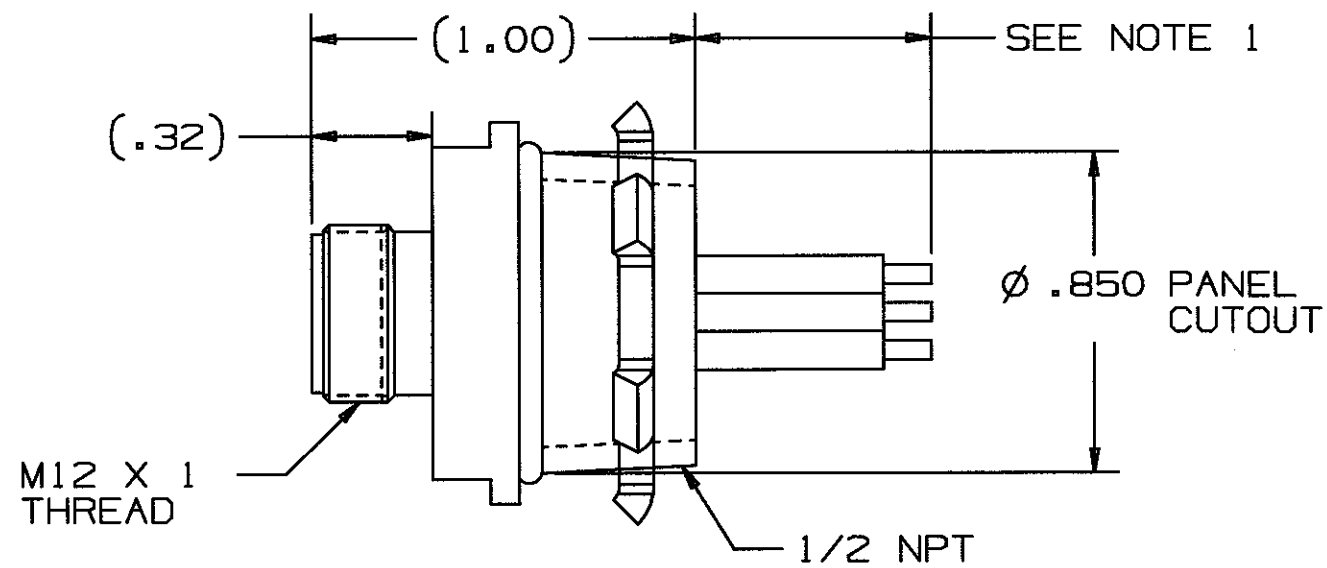
2 & 3 POLE



4 POLE



5 POLE



CATALOG NUMBER	NUMBER OF POLES	POSITION NUMBER	COLOR	CONDUCTOR MARKING	AMPS
RM0302PEXXX	2	1	BLUE	P1	3
		2	NOT USED		
		3	NOT USED		
		4	BLUE	P4	
RM0303PEXXX	3	1	BLUE	P1	
		2	NOT USED		
		3	BLUE	P3	
RM0304PEXXX	4	1	BLUE	P1	
		2	BLUE	P2	
		3	BLUE	P3	
		4	BLUE	P4	
RM0305PEXXX	5	1	BLUE	P1	
		2	BLUE	P2	
		3	BLUE	P3	
		4	BLUE	P4	
		5	BLUE	P5	

NOTES:

1. THE "XXX" SUFFIX IN CATALOG NUMBER DENOTES LENGTH OF WIRE IN FEET. RM0303PE005 HAS 5 FEET OF WIRE.

CODE 74545

LIST OF PARTS

DESCRIPTION	MATERIAL	FINISH
RECEPTACLE SHELL	BRASS	NICKEL
INSULATOR	NYLON	WHITE
O-RING	RUBBER	BLACK
LOCKNUT	STEEL	ZINC
PIN CONTACT	BRASS	GOLD OVER Pd/Ni
WIRE	22 AWG PVC	SEE TABLE

SYM	REVISIONS	APP	DATE
2	1/13/05 CHANGED DIMS FROM (.94) TO (1.00) FROM (.36) TO (.32) FROM (.87) TO (1.00) FROM 1/4NPT TO 1/2NPT PER DCN 12166 CAC	CAC	1/13/05
1	9/9/04 RELEASED PER DCN 11957 MJM GH	GH	9/9/04

THE DESIGN AND DIMENSIONS OF THE PRODUCT SHOWN ON THIS DRAWING ARE SUBJECT TO CHANGE WITHOUT NOTICE

TITLE
LINKOSITY SINGLE KEY MALE RECEPTACLE

TOLERANCES UNLESS OTHERWISE SPECIFIED	WIRING DEVICE-KELLEMS HUBBELL INCORPORATED BRIDGEPORT, CT	
FRACTIONS ± 1/64	DR. BY MJM	APP. BY GH
DECIMALS ± .005	TR. BY	SCALE NONE
ANGLES ± 2°	CHK'D BY GH	DATE 9/9/04

DIMENSION SHEET FOR CAT. NO. SEE CHART

REPAIRABLE NON-REPAIRABLE

B

M-9484

2