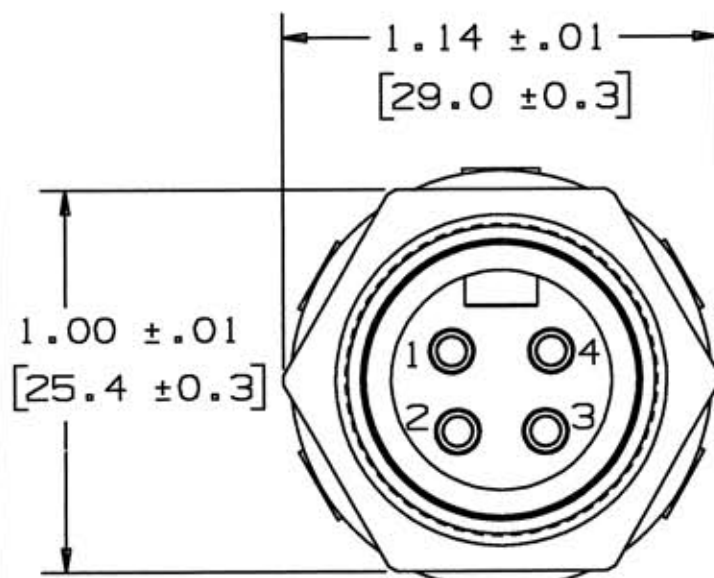
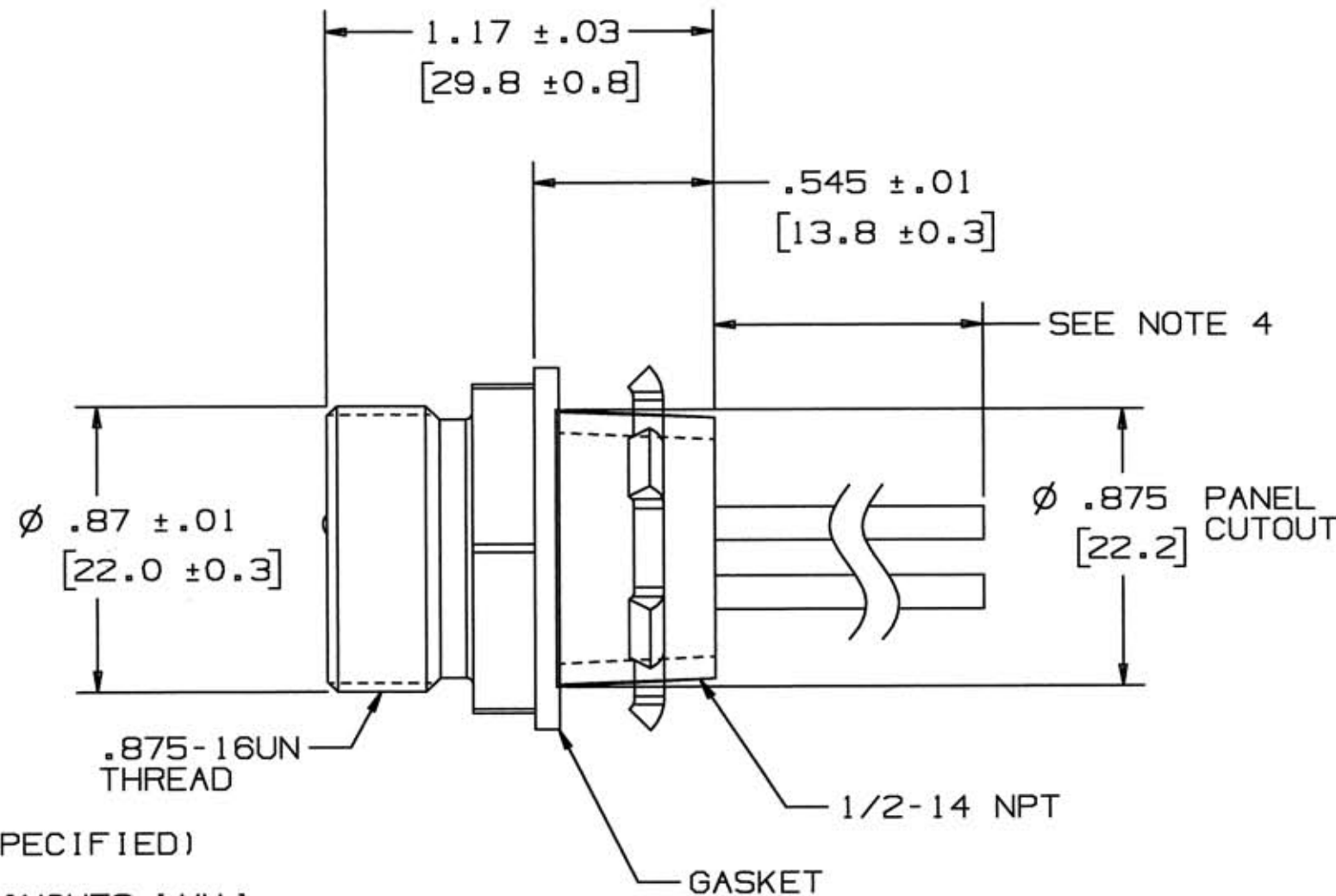


3 POLE



4 POLE



M-9451 3

CATALOG NUMBER	NUMBER OF POLES	POSITION NUMBER	COLOR	CONDUCTOR MARKING
RM1003PAXXX	3	1	GREEN/YELLOW	P1
		2	BLACK	P2
		3	BLACK	P3
RM1004PAXXX	4	1	BLACK	P1
		2	BLACK	P2
		3	BLACK	P3
		4	GREEN/YELLOW	P4

LIST OF PARTS

DESCRIPTION	MATERIAL	FINISH
RECEPTACLE SHELL	BRASS	NICKEL PL.
INSULATOR	NYLON	WHITE
RETAINER	NYLON	WHITE
LOCKNUT	STEEL	ZINC
O-RING	RUBBER	BLACK
GASKET	POLYETHYLENE	YELLOW
SOCKET CONTACT	COPPER ALLOY	GOLD OVER Pd/Ni
WIRE 16AWG	PVC	SEE TABLE

REV	DESCRIPTION	APP	DATE
3	7/7/05 REVISED ADD TOLERANCE & METRIC EQUIV. TO DWG. UPDATES TO NOTES PER CUSTOMER SPECS. PER DCN 12339 CAC	CAC	7/7/05
2	ADDED "SEE TABLE", 1.0 DIM., DUAL DIM.'S, NOTES 1-3, & WIRE BREAK LINES. REMOVED "AMPS" COLUMN FROM TABLE AND "600V" FROM TITLE. "SEE NOTE 4" WAS "SEE NOTE 1"; NOTE 4 WAS NOTE 1 PER DCN #12063. JMN	GPH	10/25/04
1	RELEASED PER DCN 11937. MJM GH	GPH	9/14/04

SYM	REVISIONS	APP	DATE
-----	-----------	-----	------

THE DESIGN AND DIMENSIONS OF THE PRODUCT SHOWN ON THIS DRAWING ARE SUBJECT TO CHANGE WITHOUT NOTICE

TITLE 10A MALE RECEPTACLE LINKOSITY™ HEX MOUNT

TOLERANCES UNLESS OTHERWISE SPECIFIED	WIRING DEVICE-KELLEMS HUBBELL INCORPORATED BRIDGEPORT, CT	
FRACTIONS ± 1/64	DR. BY MJM	APP. BY GPH
DECIMALS ± .005	TR. BY	SCALE NONE
ANGLES ± 2°	CHK'D BY GPH	DATE 9/14/04

NOTES: (UNLESS OTHERWISE SPECIFIED)

- 1) DIMENSIONS ARE IN INCHES [MM].
- 2) ALL DEVICES ARE RATED FOR 10A 600VAC.
- 3) ALL DEVICES ARE U.L. LISTED (PRODUCT CATEGORY CYJV) AND ARE NOT FOR CURRENT INTERRUPT. WIRE - LISTED TYPE MTW.
- 4) THE "XXX" IN CATALOG NUMBER DENOTES LENGTH OF WIRE IN FEET. RM1003PA005 HAS 5 FEET ±3.0" UP TO 5FT, ±8.0" FROM 5FT TO 25FT, ±12" GREATER THAN 25FT OF WIRE.
- 5) THESE DEVICES SHALL CONFORM TO LINKOSITY SPECIFICATIONS -0015, -0019.
- 6) LINKOSITY™ IS A TRADEMARK OF LOCKHEED MARTIN.