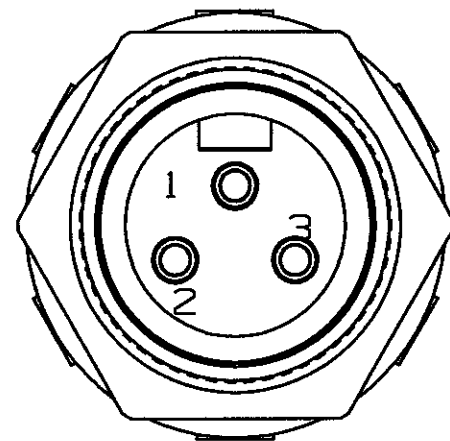
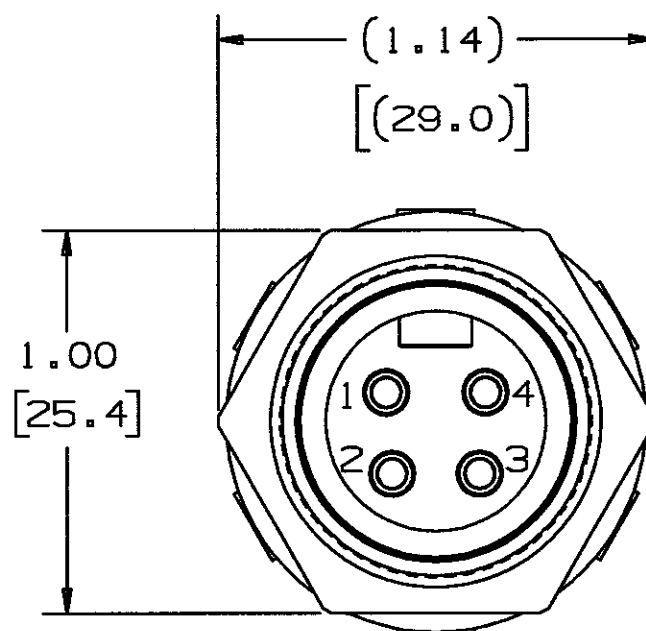


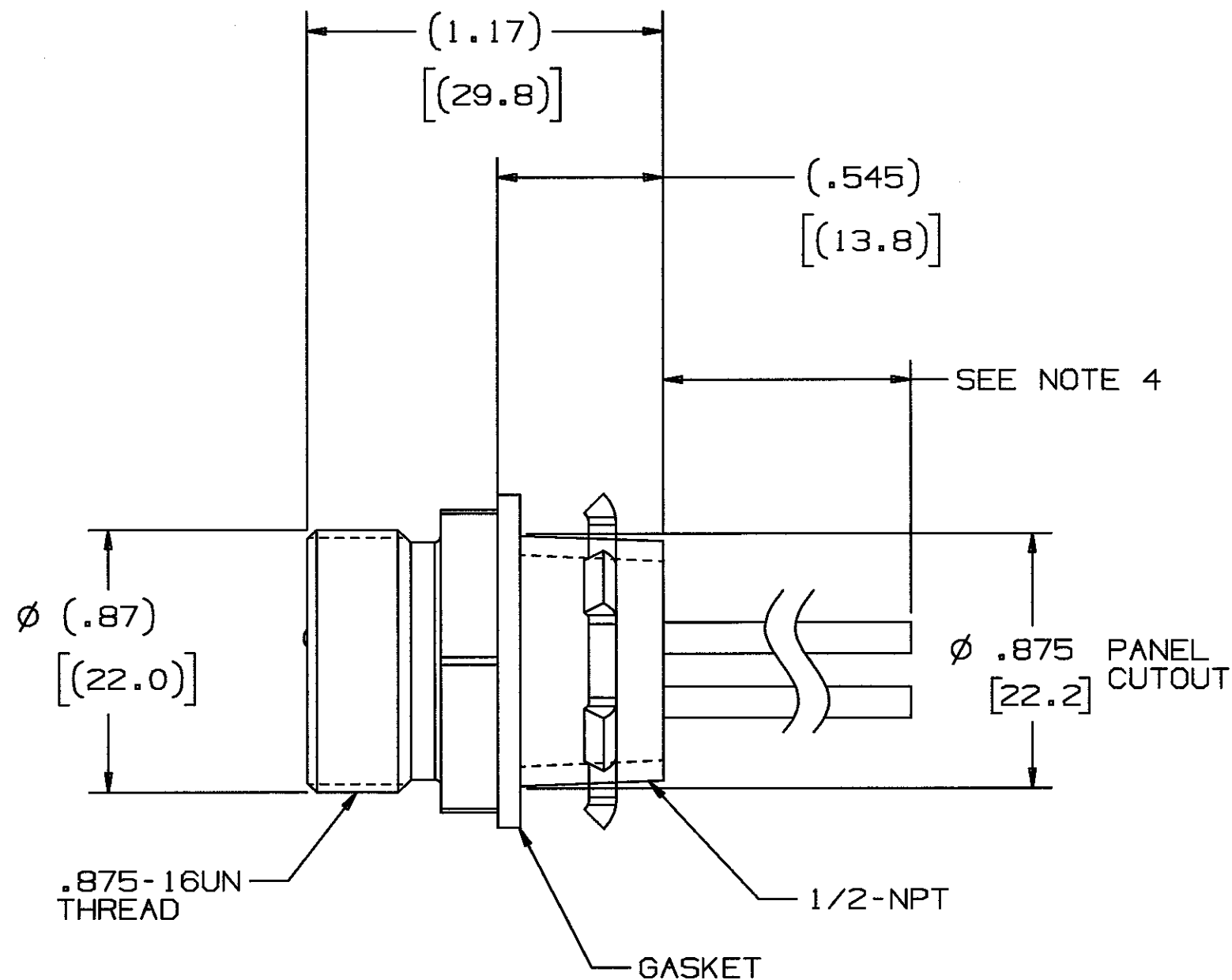
M-9452 2



3 POLE



4 POLE



NOTES: (UNLESS OTHERWISE SPECIFIED)

- 1) DIMENSIONS ARE IN INCHES [MM].
- 2) ALL DEVICES ARE 10A. 600VAC.
- 3) ALL DEVICES ARE U.L. LISTED AND ARE NOT FOR CURRENT RUPTURE.
- 4) THE "XXX" IN CATALOG NUMBER DENOTES LENGTH OF WIRE IN FEET. RM1003PB Q Q 5 HAS FIVE FEET OF WIRE.

CATALOG NUMBER	NUMBER OF POLES	POSITION NUMBER	COLOR	CONDUCTOR MARKING
RM1003PBXXX	3	1	GREEN/YELLOW	P1
		2	WHITE	P2
		3	BLACK	P3
RM1004PBXXX	4	1	BLACK	P1
		2	WHITE	P2
		3	BLACK	P3
		4	GREEN/YELLOW	P4

LIST OF PARTS

DESCRIPTION	MATERIAL	FINISH
RECEPTACLE SHELL	BRASS	NICKEL
INSULATOR	NYLON	WHITE
RETAINER	NYLON	WHITE
LOCKNUT	STEEL	ZINC
O-RING	RUBBER	BLACK
GASKET	POLYETHYLENE	YELLOW
SOCKET CONTACT WIRE	COPPER ALLOY	GOLD OVER Pd/Ni
	16 AWG PVC	SEE TABLE

2	ADDED "SEE TABLE", 1.0 DIM., DUAL DIM.'S, NOTES 1-3, & WIRE BREAK LINES. REMOVED "AMPS" COLUMN FROM TABLE AND "600V" FROM TITLE. "SEE NOTE 4" WAS "SEE NOTE 1"; NOTE 4 WAS NOTE 1 PER DCN #12063. MJM	GPH	10/29/04
1	RELEASED PER DCN 11937. MJM GH	GPH	9/14/04

SYM	REVISIONS	APP	DATE
-----	-----------	-----	------

THE DESIGN AND DIMENSIONS OF THE PRODUCT SHOWN ON THIS DRAWING ARE SUBJECT TO CHANGE WITHOUT NOTICE

TITLE
MALE RECEPTACLE
HEX MOUNT

TOLERANCES UNLESS OTHERWISE SPECIFIED FRACTIONS ± 1/64 DECIMALS ± .005 ANGLES ± 2°	WIRING DEVICE-KELLEMS HUBBELL INCORPORATED BRIDGEPORT, CT	
	DR. BY MJM	APP. BY GPH
	TR. BY	SCALE NONE
	CHK'D BY GPH	DATE 9/14/04

DIMENSION SHEET FOR CAT. NO. SEE TABLE
REPAIRABLE NON-REPAIRABLE B M-9452 2