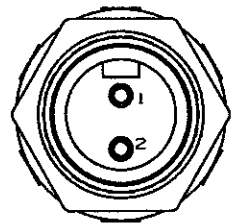
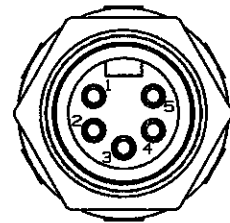


M-9453

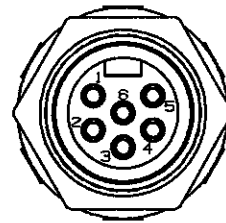
3



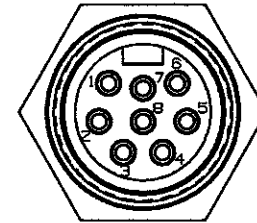
2 POLE



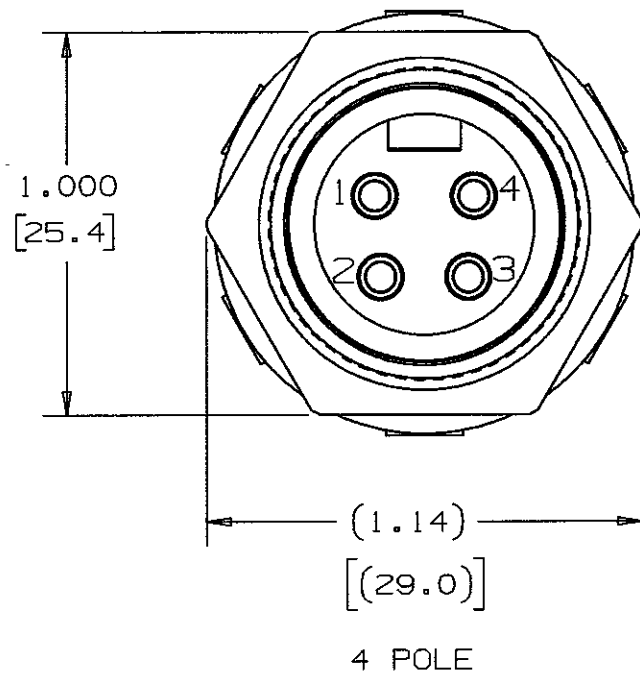
5 POLE



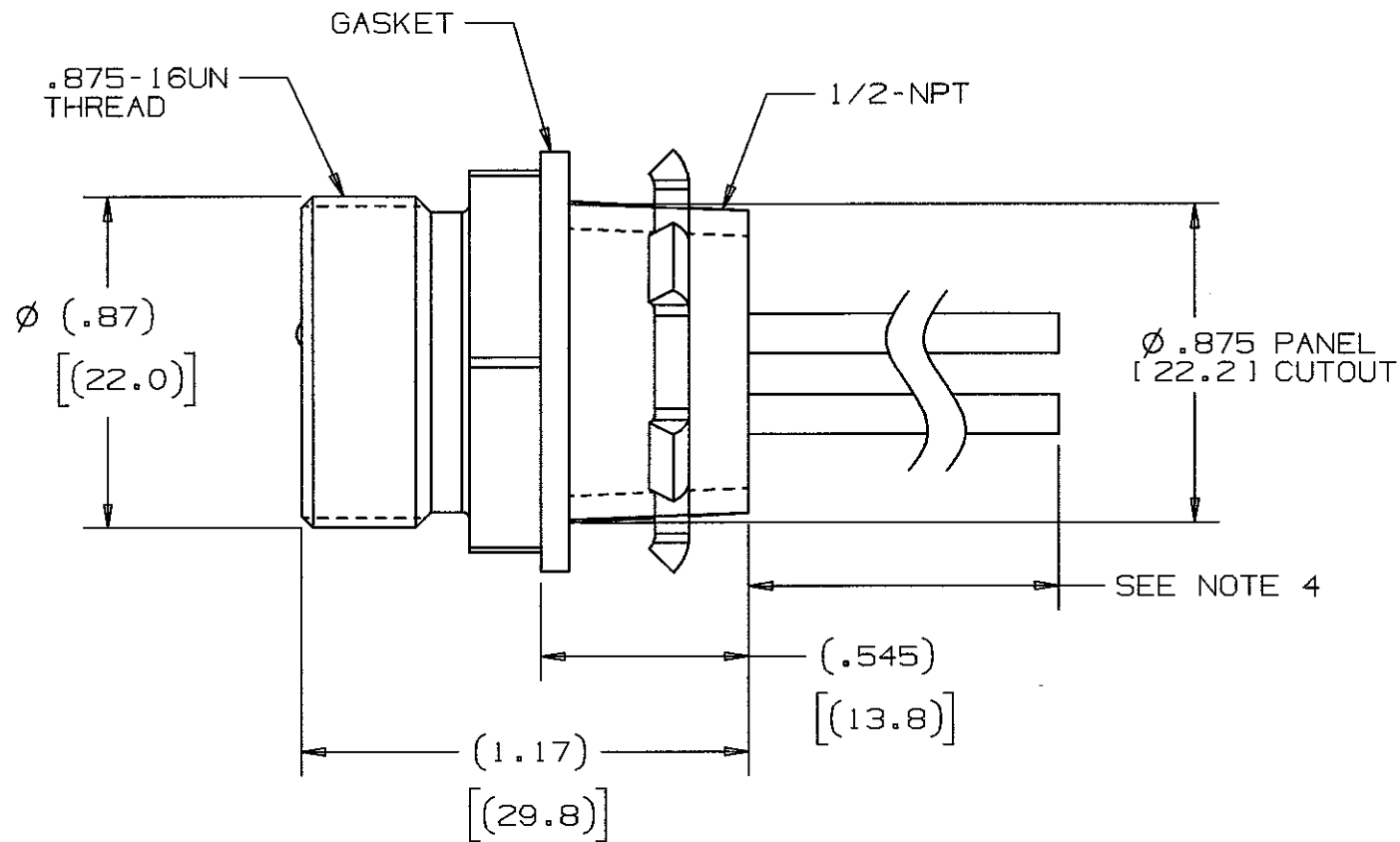
6 POLE



8 POLE



4 POLE



CATALOG NUMBER	NUMBER OF POLES	POSITION NUMBER	COLOR	CONDUCTOR MARKING
RM1002PEXXX	2	1	BLUE	P1
		2	BLUE	P2
RM1004PEXXX	4	1	BLUE	P1
		2	BLUE	P2
		3	BLUE	P3
		4	BLUE	P4
RM1005PEXXX	5	1	BLUE	P1
		2	BLUE	P2
		3	BLUE	P3
		4	BLUE	P4
		5	BLUE	P5
RM1006PEXXX	6	1	BLUE	P1
		2	BLUE	P2
		3	BLUE	P3
		4	BLUE	P4
		5	BLUE	P5
		6	BLUE	P6

CATALOG NUMBER	NUMBER OF POLES	POSITION NUMBER	COLOR	CONDUCTOR MARKING
RM1004PMXXX	4	1	YELLOW	P1
		2	YELLOW	P2
		3	YELLOW	P3
		4	YELLOW	P4
RM1006PMXXX	6	1	YELLOW	P1
		2	YELLOW	P2
		3	YELLOW	P3
		4	YELLOW	P4
		5	YELLOW	P5
		6	YELLOW	P6
RM1008PNXXX	8	1	RED	P1
		2	RED	P2
		3	RED	P3
		4	RED	P4
		5	RED	P5
		6	RED	P6
		7	RED	P7
		8	WHITE	P8

NOTES: (UNLESS OTHERWISE SPECIFIED)

- 1) DIMENSIONS ARE IN INCHES [MM].
- 2) ALL DEVICES ARE 10A. 600VAC.
- 3) ALL DEVICES ARE U.L. LISTED AND ARE NOT FOR CURRENT RUPTURE.
- 4) THE "XXX" IN CATALOG NUMBER DENOTES LENGTH OF WIRE IN FEET. RM1002PE 0 0 5 HAS FIVE FEET OF WIRE.

LIST OF PARTS

DESCRIPTION	MATERIAL	FINISH
RECEPTACLE SHELL	BRASS	NICKEL
INSULATOR	NYLON	WHITE
RETAINER	NYLON	WHITE
LOCKNUT	STEEL	ZINC
O-RING	RUBBER	BLACK
GASKET	POLYETHYLENE	YELLOW
SOCKET CONTACT	COPPER ALLOY	GOLD OVER Pd/Ni
WIRE	16 AWG PVC	BLUE

SYM	REVISIONS	APP	DATE
3	ADDED RM1004PMXXX, RM1006PMXXX AND RM1008PNXXX TO TABLE. ADDED VIEW OF 8 POLE RECEPTACLE. PER DCN 14125 SPN	JPP	8/8/07
2	ADDED "SEE TABLE", 1.0 DIM., DUAL DIM.'S, NOTES 1-3, & WIRE BREAK LINES. REMOVED "AMPS" COLUMN FROM TABLE AND "600V" FROM TITLE. "SEE NOTE 4" WAS "SEE NOTE 1"; NOTE 4 WAS NOTE 1 PER DCN #12063. JMN	GPH	10/29/04
1	RELEASED PER DCN 11937. MJM GH	GPH	9/14/04

THE DESIGN AND DIMENSIONS OF THE PRODUCT SHOWN ON THIS DRAWING ARE SUBJECT TO CHANGE WITHOUT NOTICE

TITLE
MALE RECEPTACLE
HEX MOUNT

TOLERANCES UNLESS OTHERWISE SPECIFIED	WIRING DEVICE-KELLEMS HUBBELL INCORPORATED BRIDGEPORT, CT	
FRACTIONS ± 1/64	DR. BY MJM	APP. BY GPH
DECIMALS ± .005	TR. BY	SCALE NONE
ANGLES ± 2°	CHK'D BY GPH	DATE 9/14/04

DIMENSION SHEET FOR CAT. NO. M-9453 REPAIRABLE NON-REPAIRABLE SEE TABLE