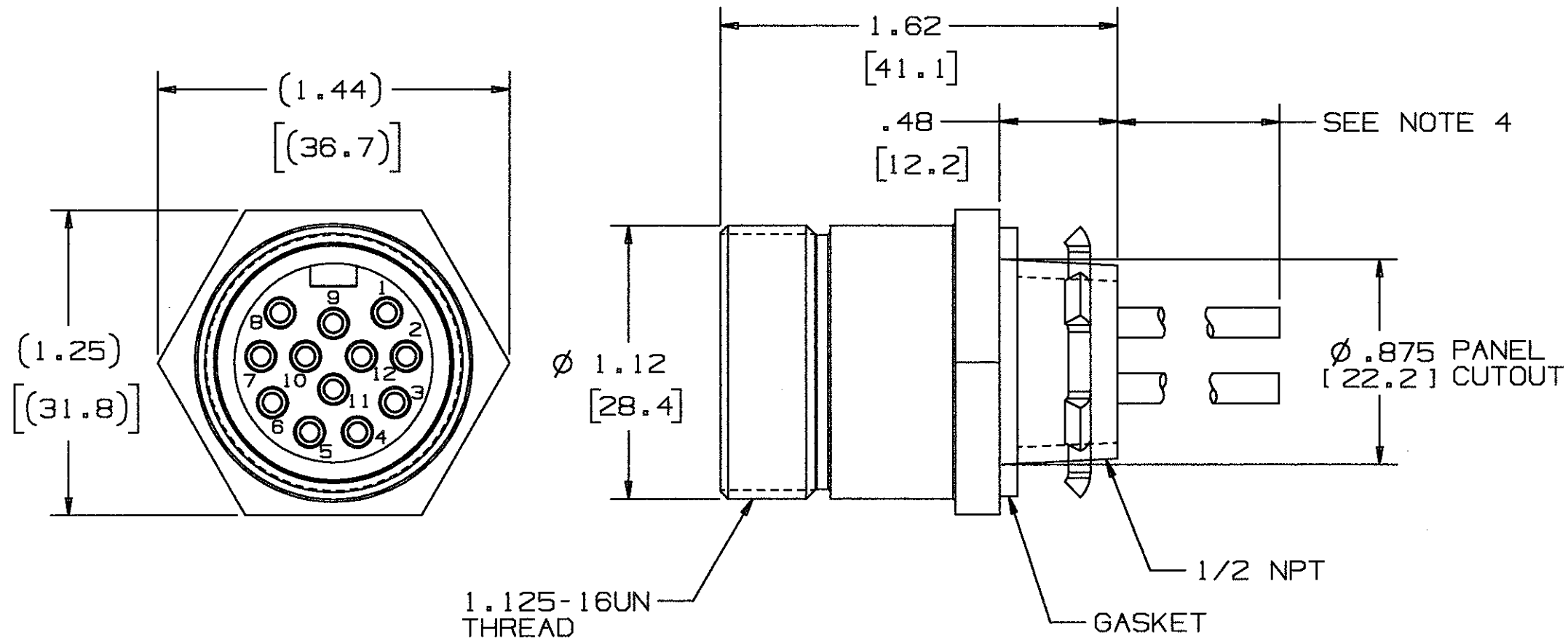


M-9620 1



NOTES: UNLESS OTHERWISE SPECIFIED

1. DIMENSIONS ARE IN INCHES(MM).
2. ALL DEVICES ARE 7A, 300VAC.
3. ALL DEVICES ARE U.L. LISTED AND ARE NOT FOR CURRENT RUPTURE.
4. THE "XXX" IN CATALOG NUMBER DENOTES LENGTH OF WIRE IN FEET. RM1012PE Q Q 5 HAS FIVE FOOT OF WIRE.

CATALOG NUMBER	NUMBER OF POLES	POSITION NUMBER	COLOR	CONDUCTOR NUMBER
RM1012PEXXX	12	1	BLUE	P1
		2		P2
		3		P3
		4		P4
		5		P5
		6		P6
		7		P7
		8		P8
		9		P9
		10		P10
		11		P11
		12		P12

LINKOSITY™ IS A TRADEMARK OF LOCKHEED MARTIN

LIST OF PARTS

DESCRIPTION	MATERIAL	FINISH
RECEPTACLE SHELL	BRASS	NICKEL
INSULATOR	NYLON	WHITE
RETAINER	NYLON	WHITE
LOCKNUT	STEEL	ZINC
GASKET	POLYETHYLENE	YELLOW
PIN CONTACT WIRE	COPPER ALLOY	GOLD OVER Pd/Ni
	18 AWG PVC	BLUE

DIMENSION SHEET FOR CAT. NO. SEE TABLE

REPAIRABLE  NON-REPAIRABLE

1	RELEASED PER DCN 12211 GH	GH	2/15/05
SYM	REVISIONS	APP	DATE

THE DESIGN AND DIMENSIONS OF THE PRODUCT SHOWN ON THIS DRAWING ARE SUBJECT TO CHANGE WITHOUT NOTICE

TITLE  
LINKOSITY™ MALE RECEPTACLE, 18 AWG WIRE

TOLERANCES UNLESS OTHERWISE SPECIFIED		WIRING DEVICE-KELLEMS HUBBELL INCORPORATED BRIDGEPORT, CT	
FRACTIONS ±1/64	DECIMALS ±.005	DR. BY GPH	APP. BY G.H.
ANGLES ±2°		TR. BY	SCALE NONE
		CHK'D BY G.H.	DATE 2/14/05