

M-9412 6

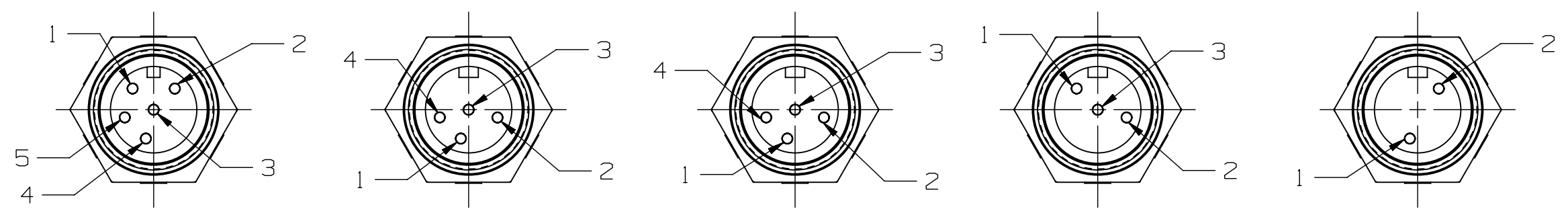


FIGURE 1

WIRE	COLOR
1	BLACK
2	WHITE
3	GREEN/YELLOW
4	BLACK
5	BLACK

FIGURE 2

WIRE	COLOR
1	BLACK
2	BLACK
3	GREEN/YELLOW
4	BLACK

FIGURE 3

WIRE	COLOR
1	BLACK
2	WHITE
3	GREEN/YELLOW
4	BLACK

FIGURE 4

WIRE	COLOR
1	BLACK
2	WHITE
3	GREEN/YELLOW

FIGURE 5

WIRE	COLOR
1	BLUE
2	BLUE

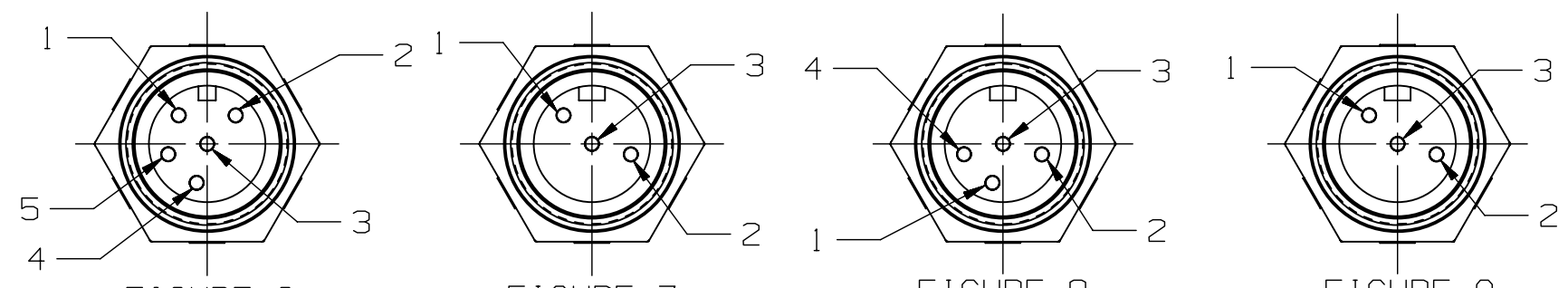


FIGURE 6

WIRE	COLOR
1	BLACK
2	BLACK
3	GREEN/YELLOW
4	BLACK
5	BLACK

FIGURE 7

WIRE	COLOR
1	BLACK
2	BLACK
3	GREEN/YELLOW

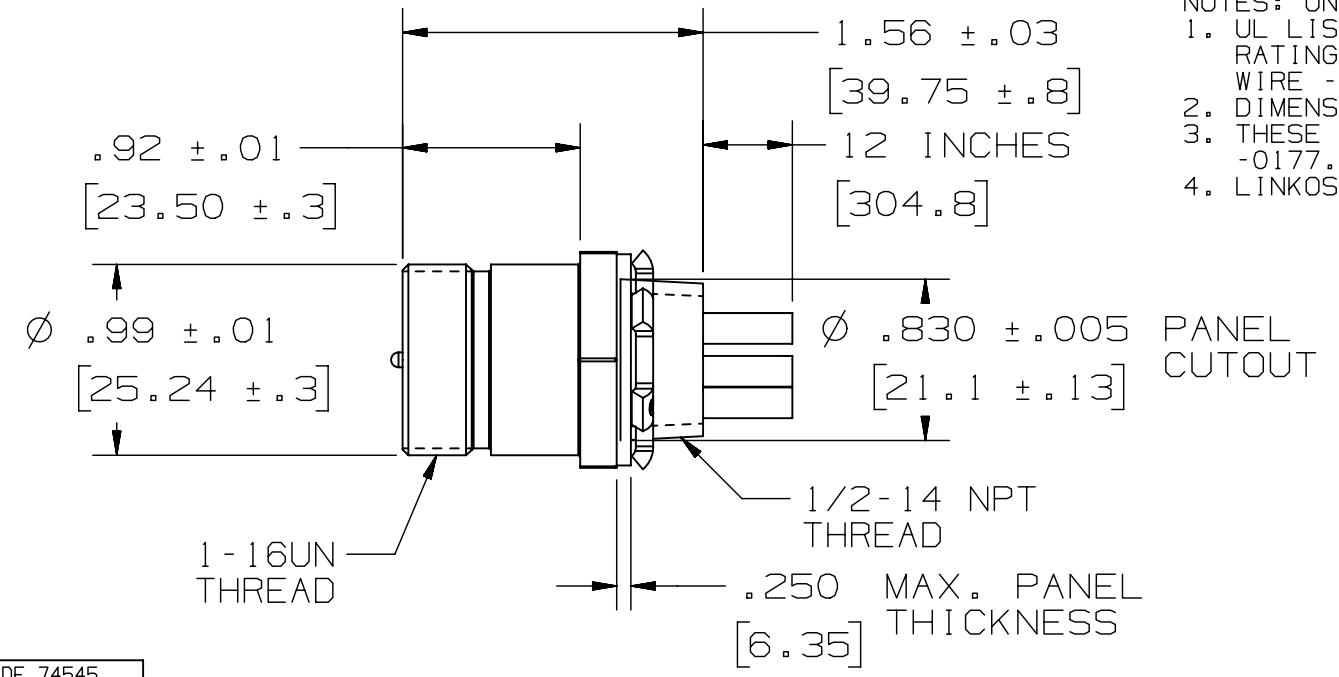
FIGURE 8

WIRE	COLOR
1	BROWN
2	BLACK
3	GREEN/YELLOW
4	GRAY

FIGURE 9

WIRE	COLOR
1	BROWN
2	BLUE
3	GREEN/YELLOW

NOTES: UNLESS OTHERWISE SPECIFIED:
 1. UL LISTED (PRODUCT CATEGORY CYJV). NOT FOR CURRENT INTERRUPT, RATING 20A/600VAC.
 WIRE - LISTED TYPE MTW
 2. DIMENSIONS ARE IN INCHES [mm].
 3. THESE DEVICES SHALL CONFORM TO LINKOSITY SPECIFICATIONS -0015, -0177.
 4. LINKOSITY™ IS A TRADEMARK OF LOCKHEED MARTIN.



CATALOG NUMBER	SEE FIGURE NUMBER	NUMBER OF POLES
RM2005PBXXX	1	5
RM2004PAXXX	2	4
RM2004PBXXX	3	4
RM2003PBXXX	4	3
RM2002PBXXX	5	2
RM2005PAXXX	6	5
RM2003PAXXX	7	3
RM2004PCXXX	8	4
RM2003PCXXX	9	3

LIST OF PARTS		
DESCRIPTION	MATERIAL	FINISH
RECEPTACLE SHELL	BRASS	NICKEL PL.
INSULATOR	NYLON	WHITE
LOCKNUT	STEEL	ZINC PL.
GASKET	RUBBER	YELLOW
SOCKET CONTACT	COPPER ALLOY	GOLD OVER Pd/Ni
WIRE 12 AWG	COPPER	STRANDS

REV	DESCRIPTION	APP	DATE
6	ADDED FIGURE 8 & 9 "RM2003PCXXX" & "RM2004PCXXX" TO TABLE PER DCN190424125625 MYA	GM	04/30/19
5	ADDED FIGURE 7 & "RM2003PAXXX" TO TABLE PER DCN 13446 RCM	JPP	10/30/06
4	ADDED FIGURE 6 & "RM2005PAXXX" TO TABLE PER DCN 13211 RCM	JPP	6/20/06
3	7/08/05 REVISED ADDED TOLERANCE & METRIC EQUIV. ADDED NOTES 1 THRU 4 PER DCN 12340 CAC	JPP	7/11/05
2	12/14/04 REVISED CHANGED DIMS. FROM 1.44 TO 1.56 FROM .80 TO .92 CHANGE O'RING TO GASKET ON LIST PER DCN 12131 CAC	GPH	12/15/04
1	7/19/04 RELEASED PER EC#11855 MJM	RDK	7/19/04

THE DESIGN AND DIMENSIONS OF THE PRODUCT SHOWN ON THIS DRAWING ARE SUBJECT TO CHANGE WITHOUT NOTICE

TITLE
 20A MALE RECEPTACLE ASSY.
 LINKOSITY™
 (2P-5P)

TOLERANCES UNLESS OTHERWISE SPECIFIED		WIRING DEVICE-KELLEMS HUBBELL INCORPORATED BRIDGEPORT, CT	
FRACTIONS	± 1/64	DR. BY	MJM
DECIMALS	± .005	APP. BY	RDK
ANGLES	± 2°	TR. BY	
		SCALE	2:1
		CHK'D BY	RDK
		DATE	7/16/04

DIMENSION SHEET FOR CAT. NO. M-9412
 REPAIRABLE NON-REPAIRABLE