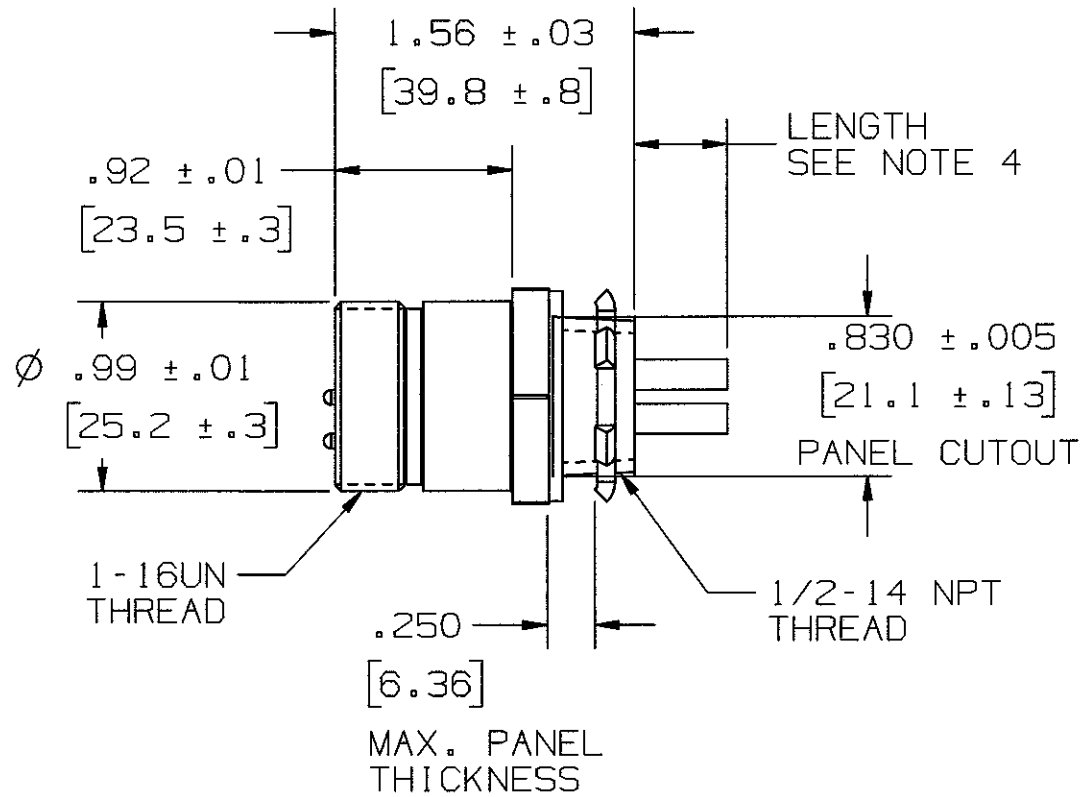
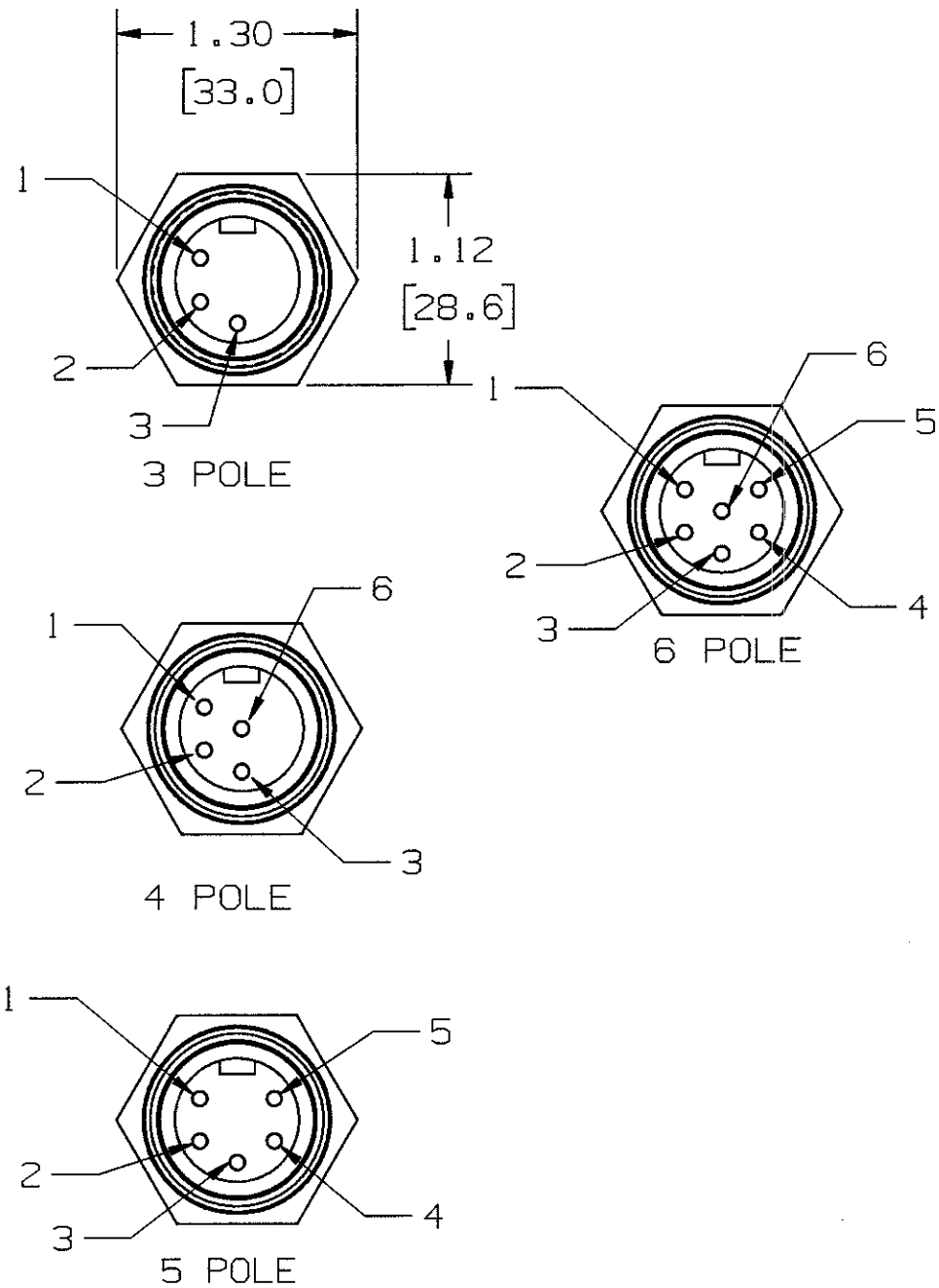


M-10996

1



LIST OF PARTS

DESCRIPTION	MATERIAL	FINISH
RECEPTACLE SHELL	STAINLESS	PASSIVATED
INSULATOR	NYLON	WHITE
LOCKNUT	STEEL	ZINC PLATED
GASKET	RUBBER	YELLOW
SOCKET CONTACT	COPPER ALLOY	GOLD OVER Pd/Ni
WIRE 10 & 12 AWG	COPPER	STRANDED
POTTING COMPOUND	EPOXY	BLACK

DIMENSION SHEET FOR CAT. NO. SEE TABLE

REPAIRABLE  NON-REPAIRABLE

B

M-10996

1

CATALOG NO. SEE NOTE 4	WIRE NO.	WIRE COLOR	NUMBER OF POLES
RM7203PBXXX	1	BLACK	3
	2	WHITE	
	3	GREEN/YELLOW	
RM7204PBXXX	1	BLACK	4
	2	WHITE	
	3	GREEN/YELLOW	
RM7205PBXXX	1	BLACK	5
	2	WHITE	
	3	GREEN/YELLOW	
	4	BLACK	
	5	BLACK	
RM7206PBXXX	1	BLACK	6
	2	WHITE	
	3	GREEN/YELLOW	
	4	BLACK	
	5	BLACK	
	6	GREEN/YELLOW	

1	RELEASE PER DCN# 14885 PJT <i>PJT</i>	5/13/08
SYM	REVISIONS	APP DATE

THE DESIGN AND DIMENSIONS OF THE PRODUCT SHOWN ON THIS DRAWING ARE SUBJECT TO CHANGE WITHOUT NOTICE

TITLE  
20A SNIG MALE LINKOSITY™ ASSEMBLY

TOLERANCES UNLESS OTHERWISE SPECIFIED	WIRING DEVICE-KELLEMS HUBBELL INCORPORATED BRIDGEPORT, CT	
FRACTIONS ± 1/64	DR. BY PJT	APP. BY <i>PJT</i>
DECIMALS ± .005	TR. BY	SCALE NONE
ANGLES ± 2°	CHK'D BY <i>PJT</i>	DATE 4/9/08

NOTES: UNLESS OTHERWISE SPECIFIED:

1. CSA CERTIFIED FOR HAZARDOUS LOCATIONS, CLASS 1, DIVISION 2, GROUPS A, B, C, D. NOT FOR CURRENT INTERRUPT, RATING 20A 600VAC MAX.
2. DIMENSIONS ARE IN INCHES [mm].
3. LINKOSITY™ IS A TRADEMARK OF LOCKHEED MARTIN.
4. THE "XXX" IN CATALOG NUMBER DENOTES LENGTH OF WIRE IN FEET. RM7203PB Q Q 5 HAS 5 FEET (1.5m) OF WIRE.