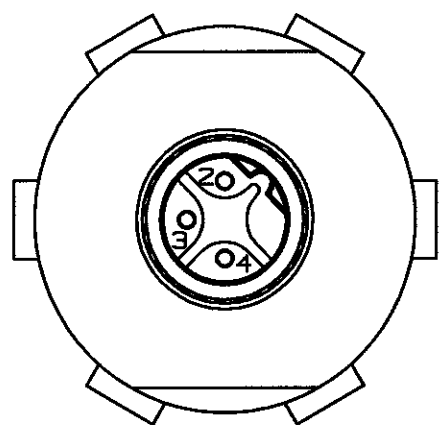
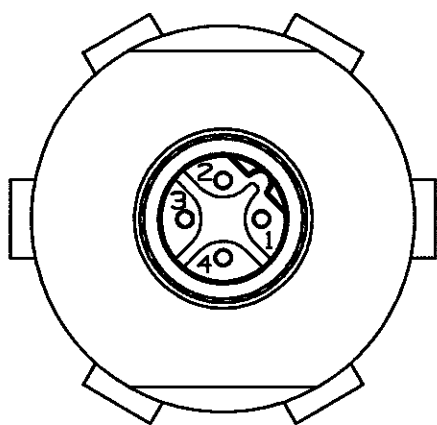


M-9579

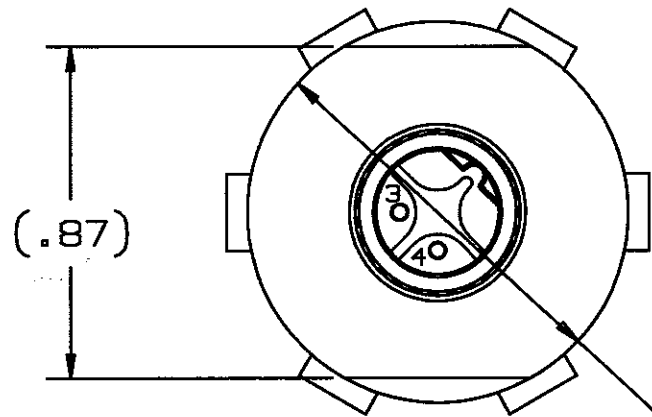
1



3 POLE

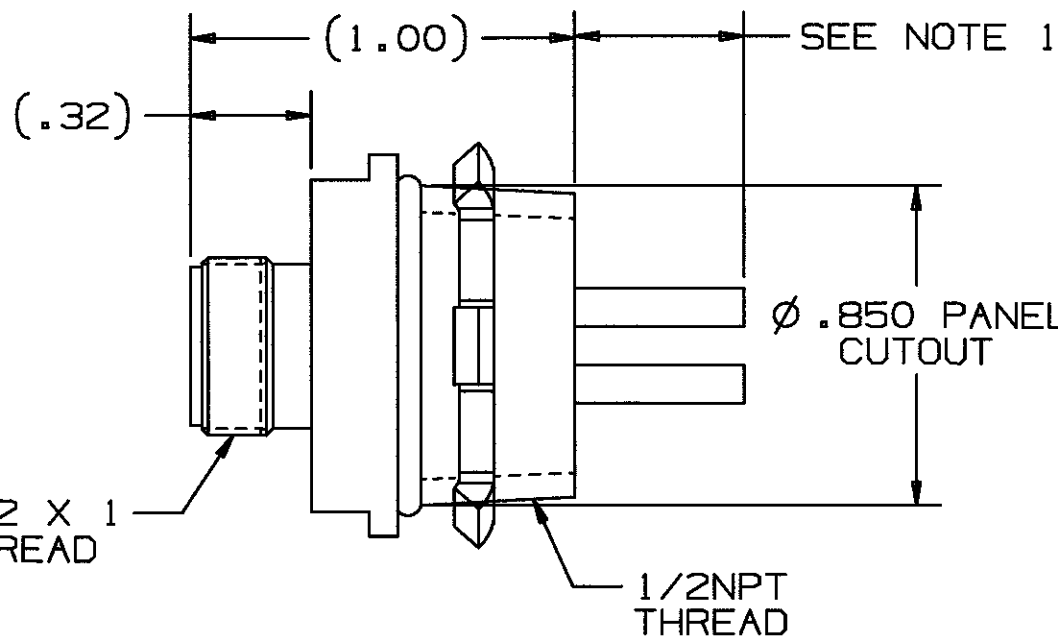


4 POLE



2 POLE

∅ (1.00)



SEE NOTE 1

∅ .850 PANEL CUTOUT

M12 X 1 THREAD

1/2NPT THREAD

CATALOG NUMBER	NUMBER OF POLES	POSITION NUMBER	COLOR	CONDUCTOR MARKING	AMPS
RMR302PEXXX	2	1	NOT USED		3
		2	NOT USED		
		3	BLUE	P3	
		4	BLUE	P4	
RMR303PEXXX	3	1	NOT USED		3
		2	BLUE	P2	
		3	BLUE	P3	
		4	BLUE	P4	
RMR304PEXXX	4	1	BLUE	P1	3
		2	BLUE	P2	
		3	BLUE	P3	
		4	BLUE	P4	

NOTES:

1. THE "XXX" SUFFIX IN CATALOG NUMBER DENOTES LENGTH OF WIRE IN FEET. RMR303PE005 HAS 5 FEET OF WIRE.
2. LINKOSITY™ IS A TRADEMARK OF LOCKHEED MARTIN.

LIST OF PARTS

DESCRIPTION	MATERIAL	FINISH
RECEPTACLE SHELL	BRASS	NICKEL
INSULATOR	NYLON	WHITE
O-RING	RUBBER	BLACK
LOCKNUT	STEEL	ZINC
PIN CONR	BRASS	GOLD OVER Pd/Ni
WIRE	22 AWG PVC	SEE TABLE

DIMENSION SHEET FOR CAT. NO.

SEE TABLE

REPAIRABLE

NON-REPAIRABLE

B

M-9579

1

1	1/18/05 RELEASED PER DCN12174 GPH	GH	1/18/05
SYM	REVISIONS	APP	DATE

THE DESIGN AND DIMENSIONS OF THE PRODUCT SHOWN ON THIS DRAWING ARE SUBJECT TO CHANGE WITHOUT NOTICE

TITLE  
LINKOSITY™ REVERSE KEY MALE RECEPTACLE

TOLERANCES UNLESS OTHERWISE SPECIFIED		WIRING DEVICE-KELLEMS HUBBELL INCORPORATED BRIDGEPORT, CT	
FRACTIONS	± 1/64	DR. BY GPH	APP. BY GPH
DECIMALS	± .005	TR. BY	SCALE NONE
ANGLES	± 2°	CHK'D BY GPH	DATE 1/18/05