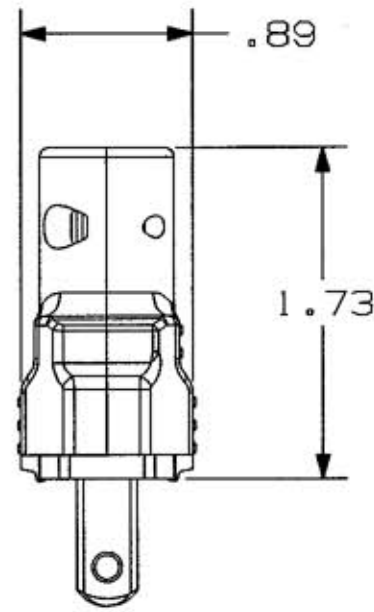
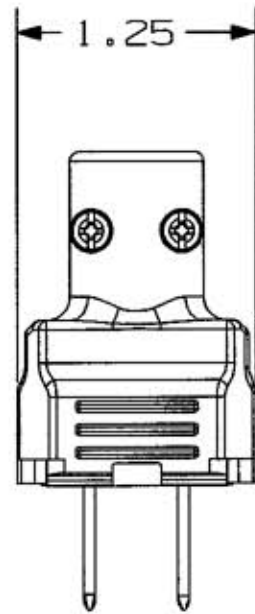


M-10183

1



PRODUCT SPECIFICATIONS:

15A-125V NEMA 1-15P
 WIRE RANGE #16, 18, AWG UP TO ϕ .250"
 UL LISTED AND CSA CERTIFIED

LIST OF PARTS

DESCRIPTION	MATERIAL	FINISH
HOUSING	PLASTIC	
BLADES	BRASS	
SCREWS	STEEL	

DIMENSION SHEET FOR CAT. NO. RP101BK
RP101W

REPAIRABLE NON-REPAIRABLE

1	2/27/07 REVISED AND RELEASED FOR PRODUCTION PER EC 13585	DP	02/27/07
SYM	REVISIONS	APP	DATE

THE DESIGN AND DIMENSIONS OF THE PRODUCT SHOWN ON THIS DRAWING ARE SUBJECT TO CHANGE WITHOUT NOTICE

TITLE
STRAIGHT PLUG,
POLARIZED, TWO BLADE

TOLERANCES UNLESS OTHERWISE SPECIFIED FRACTIONS \pm 1/64 DECIMALS \pm .005 ANGLES \pm 2°	WIRING DEVICE-KELLEMS HUBBELL INCORPORATED BRIDGEPORT, CT	
	DR. BY AMZ	APP. BY <i>DP</i>
	TR. BY	SCALE NONE
	CHK'D BY	DATE 06/01/06

B

M-10183

1