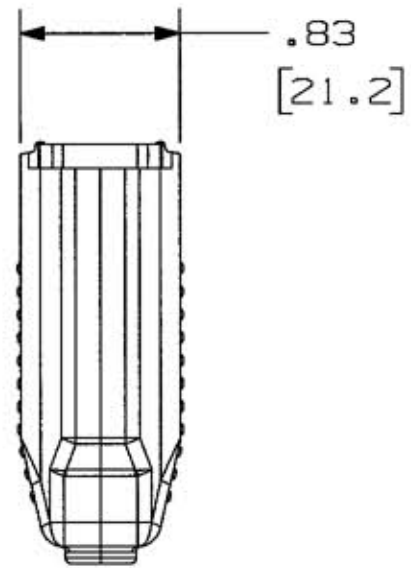
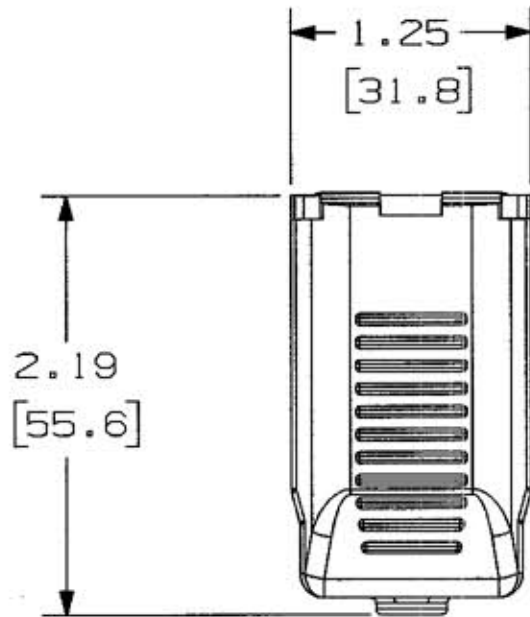
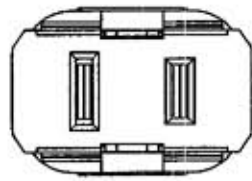


M-10184 1



NOTES:

- 1) WIRE RANGE #14, 16, 18, AWG UP TO Ø .350" COPPER WIRE ONLY
- 2) UL LISTED AND CSA CERTIFIED
- 3) INCHES [MM]

CATALOG NUMBER	COLOR
RP102BK	BLACK
RP102W	WHITE

LIST OF PARTS

DESCRIPTION	MATERIAL	FINISH
HOUSING	PLASTIC	SEE TABLE
BLADES	BRASS	
SCREWS	STEEL	

REPAIRABLE NON-REPAIRABLE

1	2/27/07 REVISED AND RELEASED FOR PRODUCTION PER EC 13595	DP	02/27/07
SYM	REVISIONS	APP	DATE

THE DESIGN AND DIMENSIONS OF THE PRODUCT SHOWN ON THIS DRAWING ARE SUBJECT TO CHANGE WITHOUT NOTICE

TITLE STRAIGHT CONNECTOR, POLARIZED, 15A 125V

TOLERANCES UNLESS OTHERWISE SPECIFIED
 FRACTIONS ± 1/64
 DECIMALS ± .005
 ANGLES ± 2°

WIRING DEVICE-KELLEMS HUBBELL INCORPORATED BRIDGEPORT, CT
 DR. BY AMZ APP. BY [Signature]
 TR. BY SCALE NONE
 CHK'D BY DATE 06/01/06