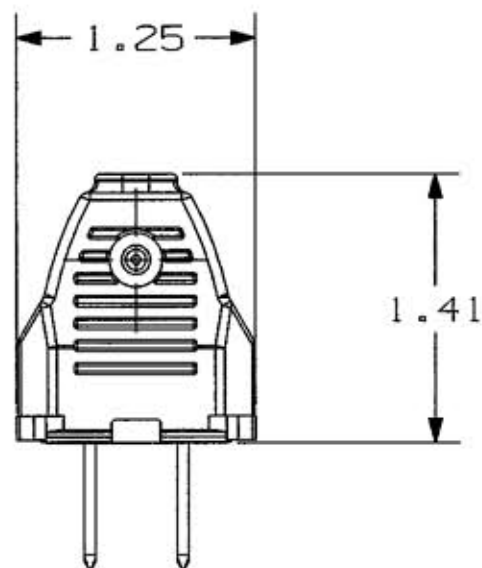
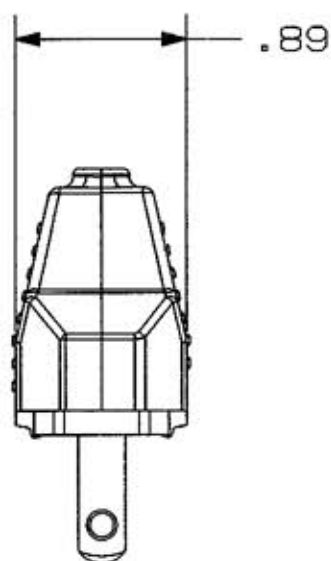


M-10181

1



PRODUCT SPECIFICATIONS:

15A-125V NEMA 1-15P  
 SPT 1 & 2 CORD 18/2  
 UL LISTED AND CSA CERTIFIED

LIST OF PARTS

DESCRIPTION	MATERIAL	FINISH
HOUSING	PLASTIC	
BLADE	BRASS	
SCREWS	STEEL	

DIMENSION SHEET FOR CAT. NO. RP1231  
 RP1231

REPAIRABLE  NON-REPAIRABLE

1	2/27/07 REVISED AND RELEASED FOR PRODUCTION PER EC 13585	DP	02/27/07
SYM	REVISIONS	APP	DATE

THE DESIGN AND DIMENSIONS OF THE PRODUCT SHOWN ON THIS DRAWING ARE SUBJECT TO CHANGE WITHOUT NOTICE

TITLE  
 STRAIGHT PLUG,  
 NON-POLARIZED TWO BLADE

TOLERANCES UNLESS OTHERWISE SPECIFIED FRACTIONS ± 1/64 DECIMALS ± .005 ANGLES ± 2°	WIRING DEVICE-KELLEMS HUBBELL INCORPORATED BRIDGEPORT, CT	
	DR. BY AMZ	APP. BY <i>[Signature]</i>
	TR. BY	SCALE NONE
	CHK'D BY	DATE 06/01/06

B  
 M-10181

1