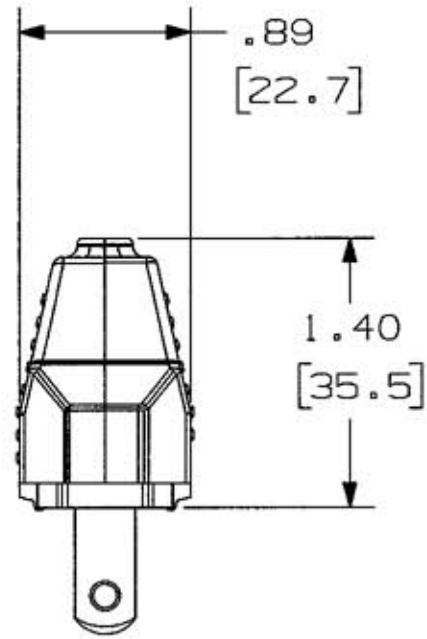
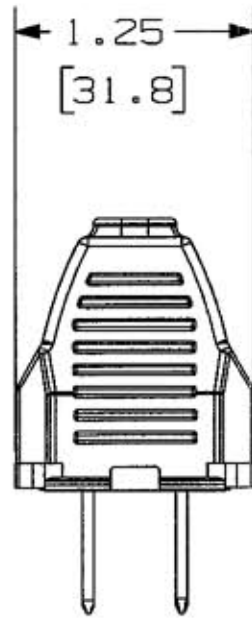


M-10182 1



LIST OF PARTS		
DESCRIPTION	MATERIAL	FINISH
HOUSING	PLASTIC	SEE TABLE
BLADES	BRASS	
SCREWS	STEEL	


1	2/27/07 REVISED AND RELEASED FOR PRODUCTION PER EC 13585	UP	02/27/07
SYM	REVISIONS	APP	DATE

THE DESIGN AND DIMENSIONS OF THE PRODUCT SHOWN ON THIS DRAWING ARE SUBJECT TO CHANGE WITHOUT NOTICE

TITLE STRAIGHT PLUG, POLARIZED 15A-125V

TOLERANCES UNLESS OTHERWISE SPECIFIED FRACTIONS ± 1/64 DECIMALS ± .005 ANGLES ± 2°	WIRING DEVICE-KELLEMS HUBBELL INCORPORATED BRIDGEPORT, CT	
	DR. BY AMZ	APP. BY <i>[Signature]</i>
	TR. BY	SCALE NONE
	CHK'D BY	DATE 06/01/06

NOTES:

- 1) SPT 1 & 2 CORD 18/2
- 2) UL LISTED AND CSA CERTIFIED
- 3) INCHES [ MM ]

CATALOG NUMBER	COLOR
RP123PI	IVORY
RP123PW	WHITE

DIMENSION SHEET FOR CAT. NO. SEE TABLE

REPAIRABLE  NON-REPAIRABLE

B M-10182 1