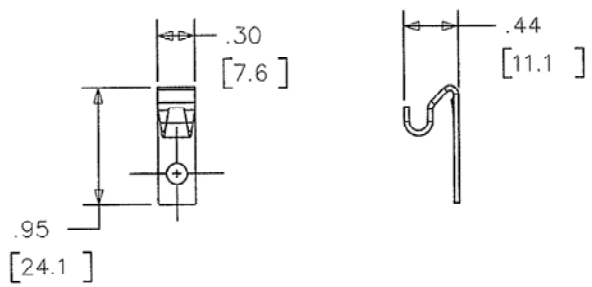
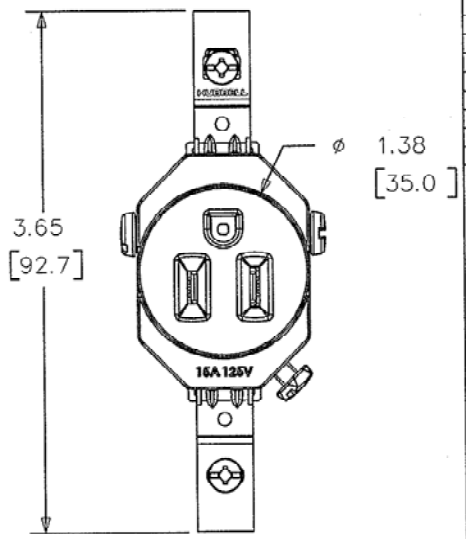
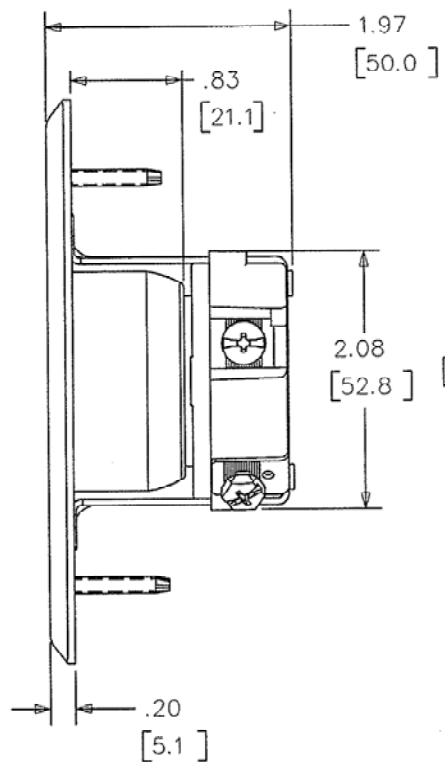
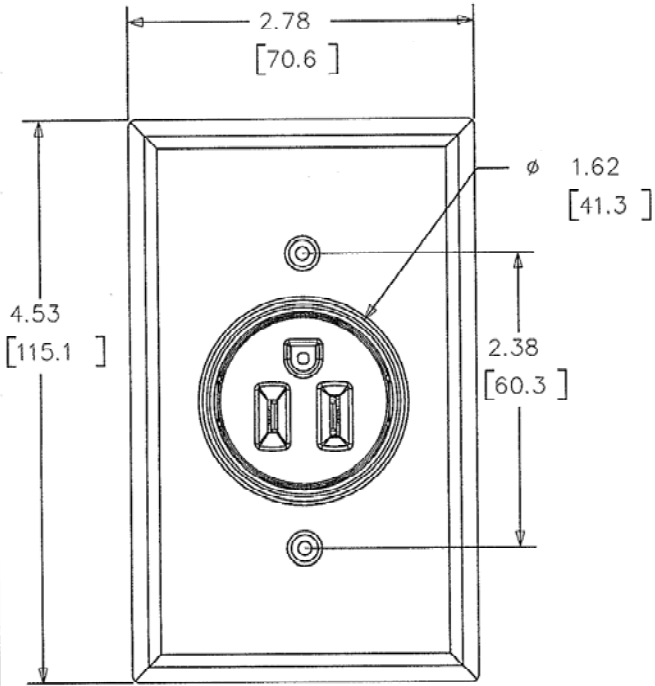


M-11434 2



NOTES: (UNLESS OTHERWISE SPECIFIED)
 1. DRAWING IS IN INCHES [MM].
 2. MOUNTING SCREWS (2) PROVIDED.

CATALOG NO.	CONFIG	FINISH
RR151CHBS		BRASS
RR151CHSS	15A-125VAC	NICKEL PLATED BRASS

LIST OF PARTS

DESCRIPTION	MATERIAL	FINISH
WALL PLATE W/SCREWS	BRASS	
HOOK	STEEL	
DRIVE SCREWS	STEEL	ZINC PLATE
GROUND STRAP	STEEL	ZINC PLATE
TERMINALS	BRASS	
MOUNTING SCREWS	STEEL	ZINC PLATE
BASE AND COVER	PLASTIC	

2	PARTS LIST ADDED SCREWS TO WALL PLATE AND COVER TO BASE. ADDED 125V TO TITLE. PER DCN 16577 SPN	CZH	5/3/10
1	NEW RELEASE PER DCN 16131 SPN	CZH	12/2/09
SYM	REVISIONS	APP	DATE

THE DESIGN AND DIMENSIONS OF THE PRODUCT SHOWN ON THIS DRAWING ARE SUBJECT TO CHANGE WITHOUT NOTICE

TITLE
 CLOCK HANGER
 15A 125V RECESSED RECEPTACLE

TOLERANCES UNLESS OTHERWISE SPECIFIED FRACTIONS ±1/64 DECIMALS ±.005 ANGLES ±2°	WIRING DEVICE—KELLEMS HUBBELL INCORPORATED BRIDGEPORT, CT	
	DR. BY SPN	APP. BY CZH
	TR. BY	SCALE NONE
	CHK'D BY CZH	DATE 12/2/09