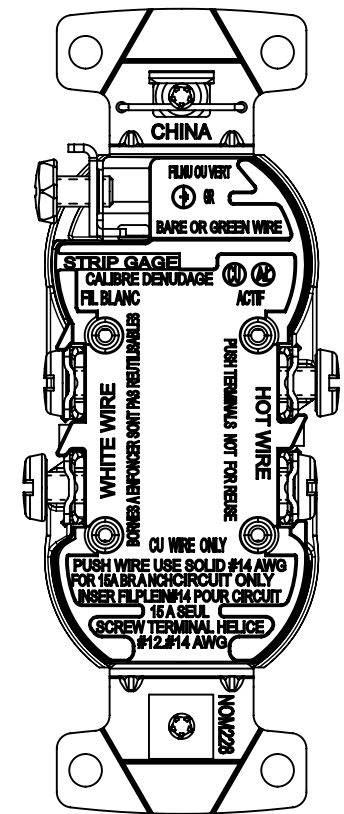
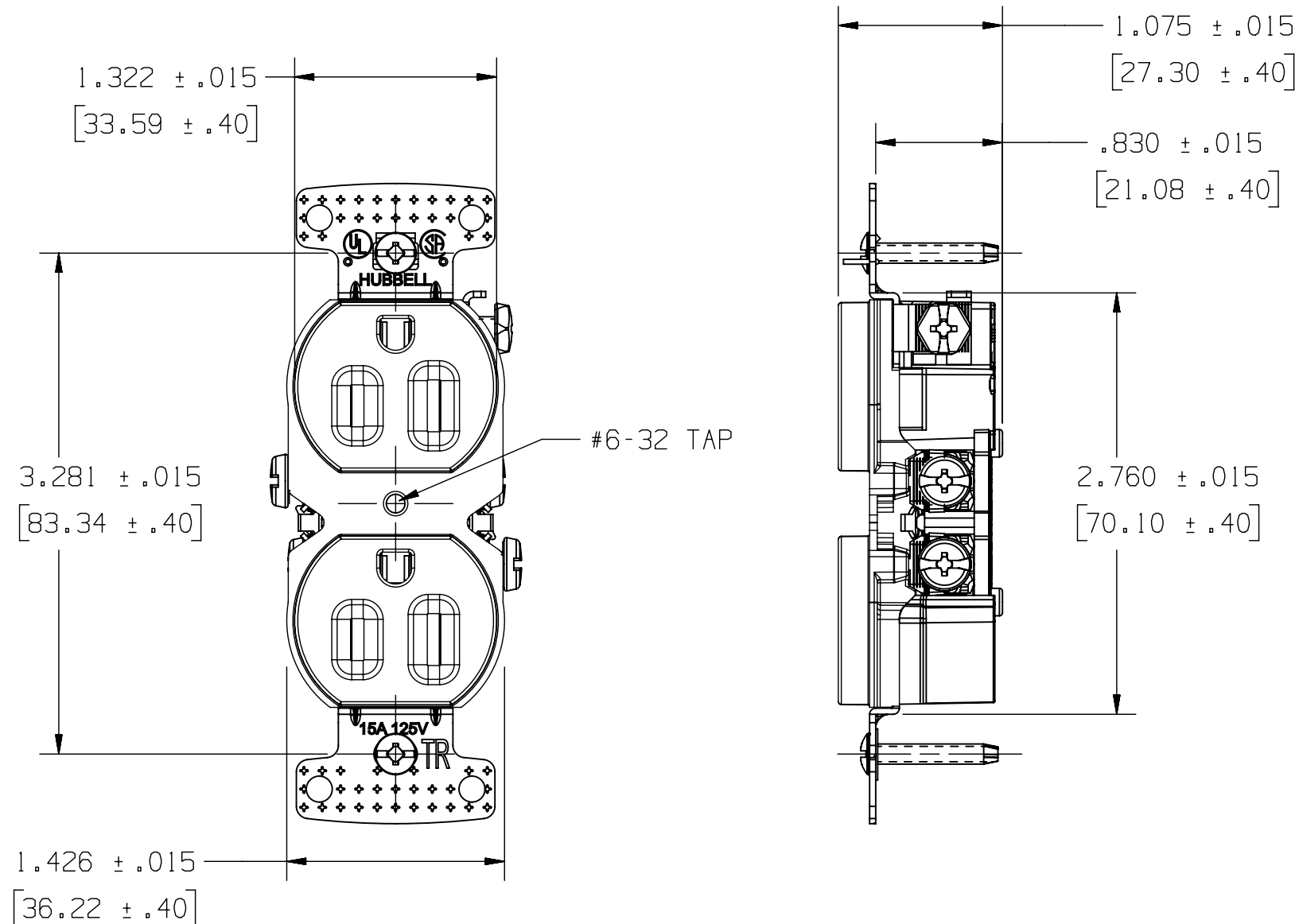


M-13572 | 1



NOTES:
 1) DIMENSIONS ARE IN INCHES [MM].
 2) ALL DEVICES UL LISTED, CSA AND CERTIFIED.
 3) TERMINALS ACCOMMODATE #14-#10 AWG COPPER WIRE ONLY.
 4) NEMA 5-15R.

HUBBELL CATALOG NUMBERS					
	BLACK	BROWN	IVORY	LIGHT ALMOND	WHITE
15A	RR15SBKTRX	RR15STRX	RR15SITRX	RR15SLATRX	RR15SWTRX

LIST OF PARTS		
DESCRIPTION	MATERIAL	FINISH
TOP	PVC	SPI A-3
BASE	PVC	SPI A-3
LINE CONTACTS	BRASS	
GROUND CONTACTS	BRASS	
CONTACT SCREW (NEU)	STEEL	NI PLT
CONTACT SCREW (HOT)	STEEL	BRASS PLT
BRIDGE	.04 GALV STL	
GROUND SCREW	STEEL	GREEN
STAPLE	S.S.	
WASHER	PVC FILM	BLACK
MOUNTING SCREW	STEEL	ZINC PLT

DIMENSION SHEET FOR CAT. NO. SEE TABLE REPAIRABLE NON-REPAIRABLE B M-13572 1

1	RELEASED PER DCN #22916	WRV	02/24/17
SYM	REVISIONS	APP	DATE

THE DESIGN AND DIMENSIONS OF THE PRODUCT SHOWN ON THIS DRAWING ARE SUBJECT TO CHANGE WITHOUT NOTICE

TITLE
 ASSY, X-CLAMP RECEPTACLE
 15A 125V 2P3W, B&S WIRE
 DUPLEX

TOLERANCES UNLESS OTHERWISE SPECIFIED .XX = ± .01 .XXX = ± .005 ANGLES = ± 2°	WIRING DEVICE-KELLEMS HUBBELL INCORPORATED SHELTON, CT	
	DR. BY WRV	APP. BY
	TR. BY	SCALE 1:1
	CHK. BY	DATE 02/17