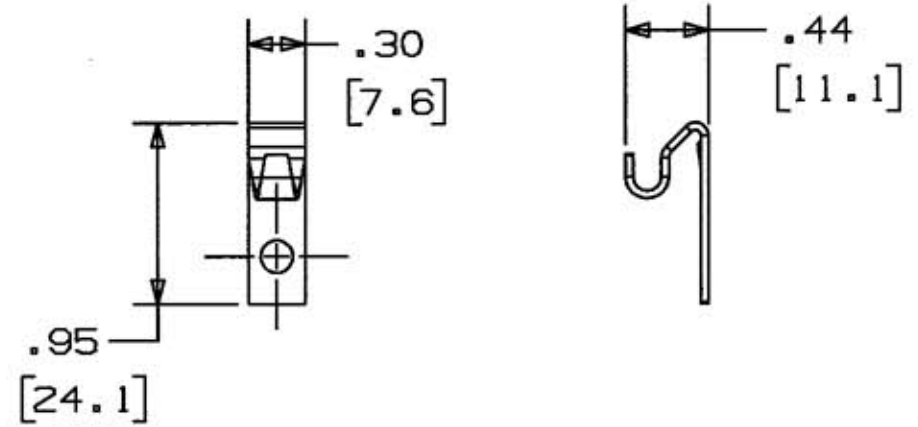
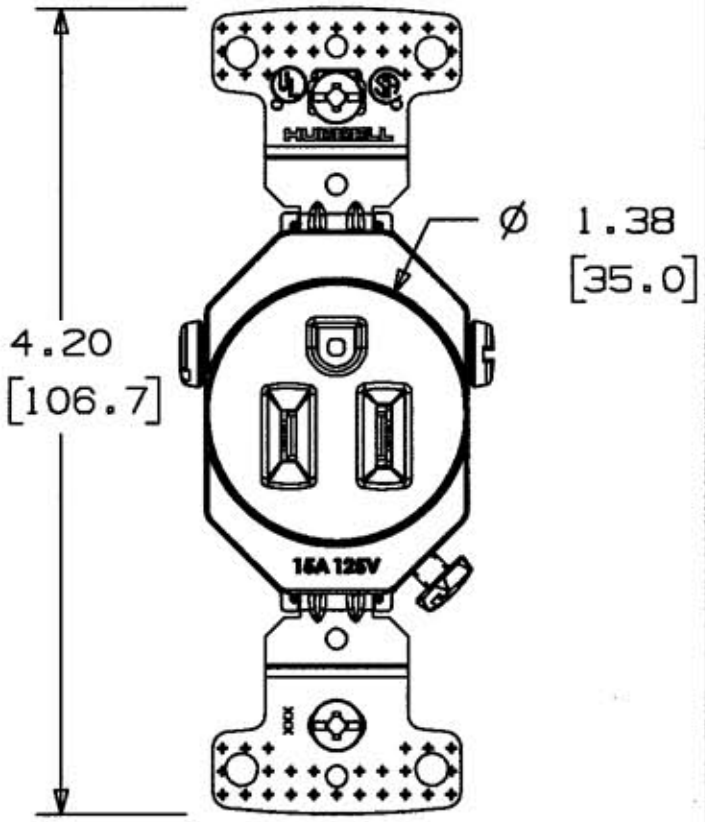
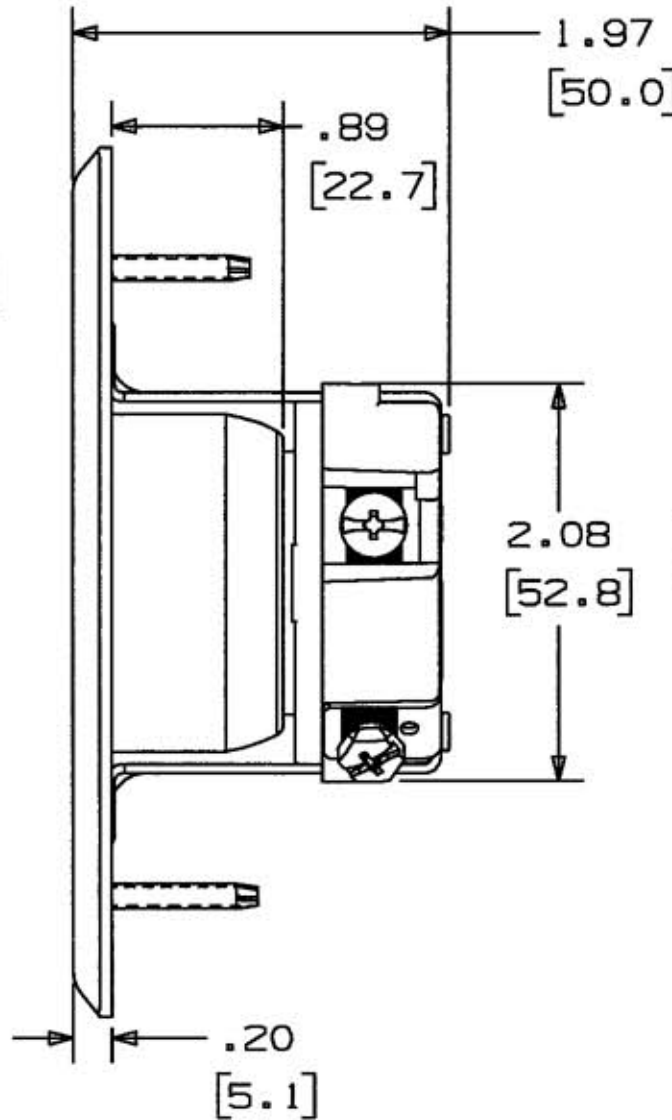
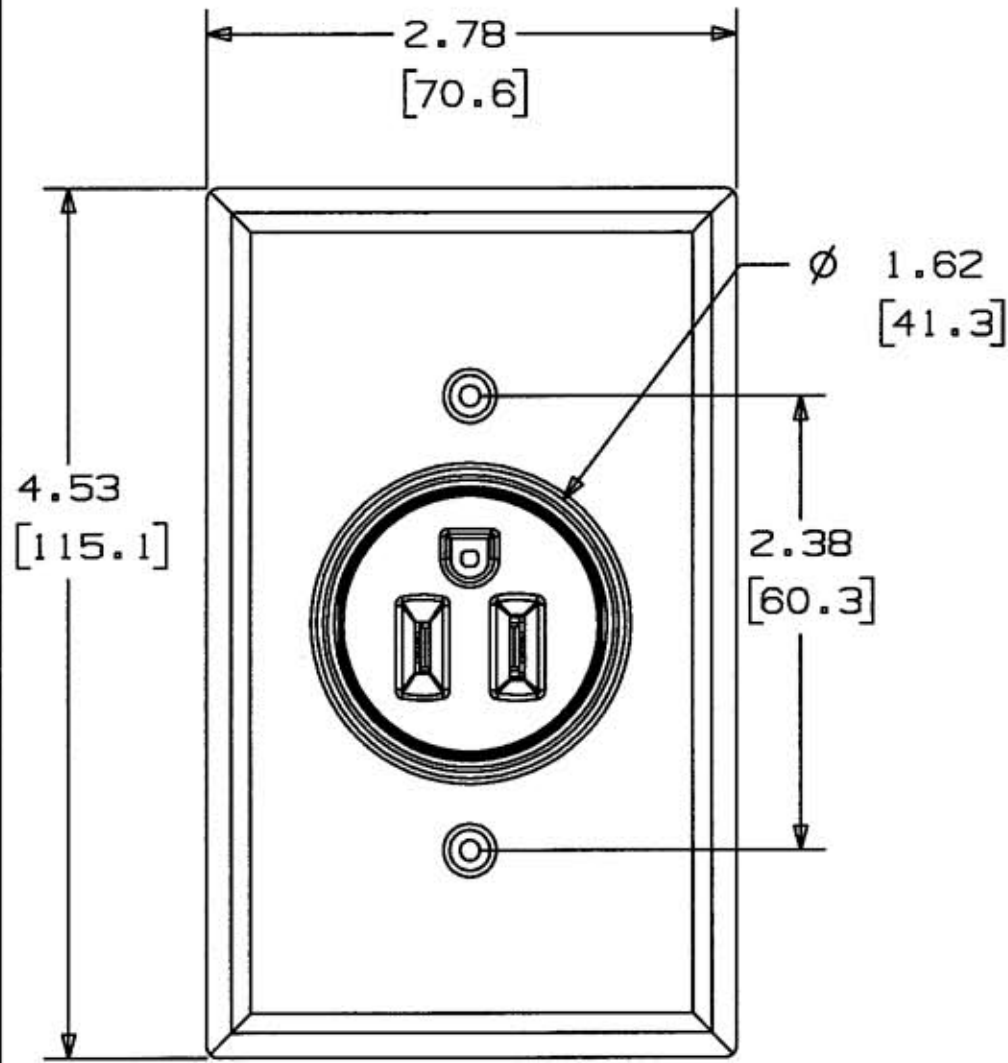


M-10436 1



NOTES: (UNLESS OTHERWISE SPECIFIED)
 1. DRAWING IS IN INCHES [MM].
 2. MOUNTING SCREWS (2) PROVIDED.

CATALOG NO.	CONFIG	FINISH
RR151CHBS		BRASS
RR151CHSS	15A-125VAC	NICKEL PLATED STEEL
RR201CHBS		BRASS
RR201CHSS	20A-125VAC	NICKEL PLATED STEEL

LIST OF PARTS		
DESCRIPTION	MATERIAL	FINISH
WALL PLATE	STEEL/BRASS	
HOOK	STEEL	
DRIVE SCREWS	STEEL	ZINC PLATE
GROUND STRAP	STEEL	ZINC PLATE
TERMINALS	BRASS	
MOUNTING SCREWS	STEEL	ZINC PLATE
BASE	PLASTIC	

1	RELEASED PER DCN 13450,FJ	FJ	11/06/06
SYM	REVISIONS	APP	DATE

THE DESIGN AND DIMENSIONS OF THE PRODUCT SHOWN ON THIS DRAWING ARE SUBJECT TO CHANGE WITHOUT NOTICE

TITLE
 CLOCK HANGER
 RECESSED RECEPTACLE

TOLERANCES UNLESS OTHERWISE SPECIFIED FRACTIONS ±1/64 DECIMALS ±.005 ANGLES ±2°	WIRING DEVICE-KELLEMS HUBBELL INCORPORATED BRIDGEPORT, CT	
	DR. BY AMZ	APP. BY FJ
	TR. BY	SCALE NONE
	CHK'D BY FJ	DATE 11/07/06

DIMENSION SHEET FOR CAT. NO. SEE TABLE
 REPAIRABLE NON-REPAIRABLE
 B M-10436 1