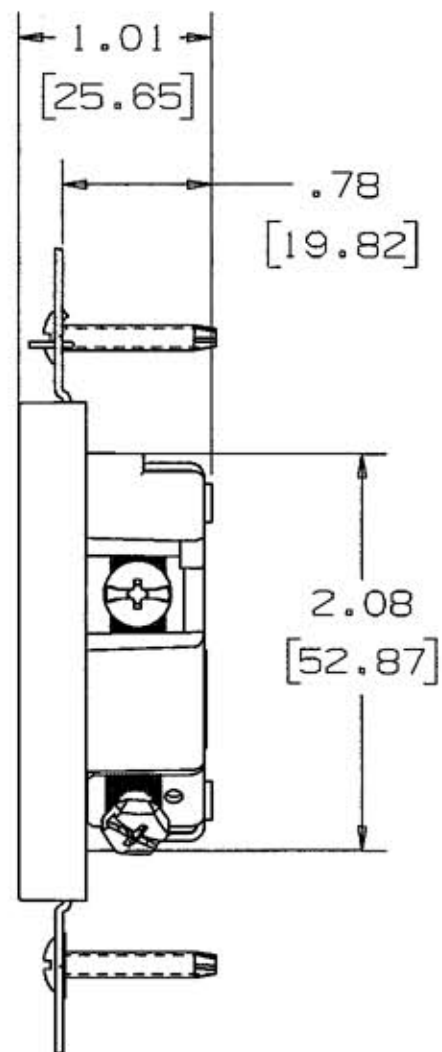
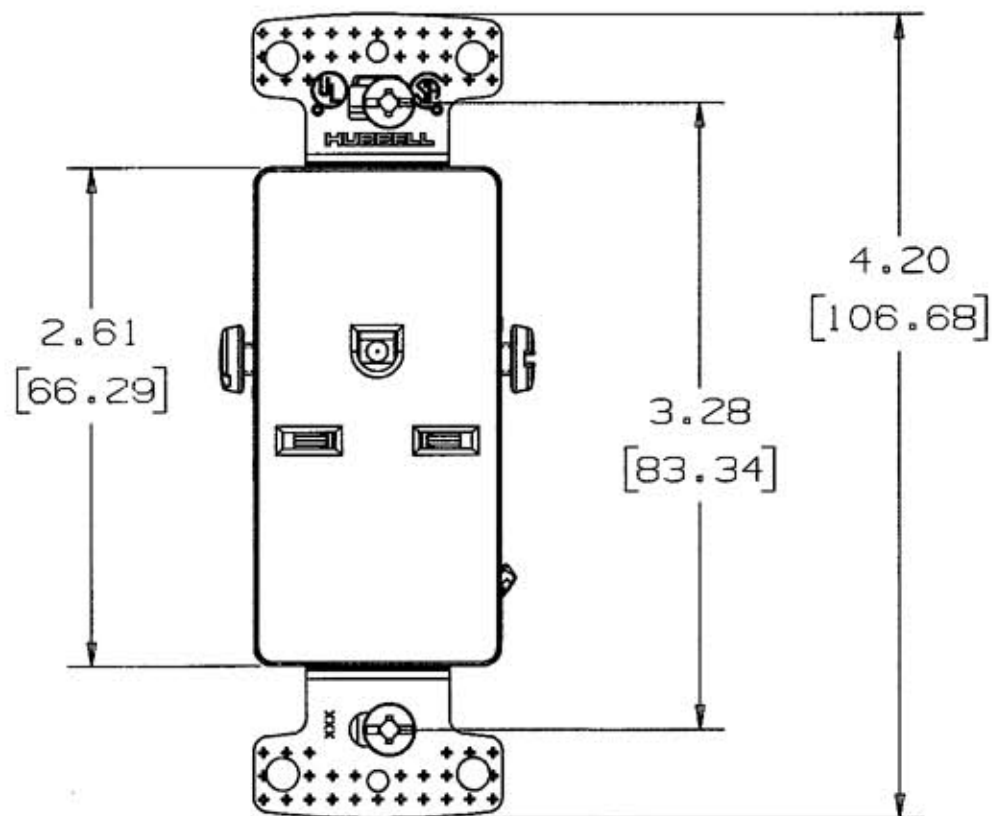
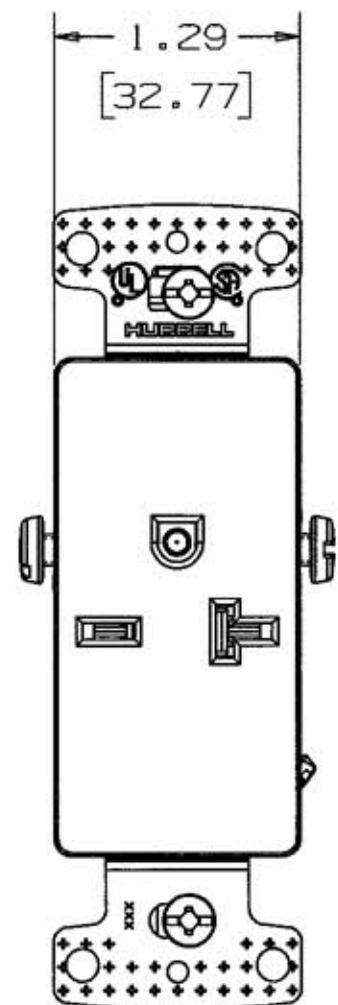


M-10666

1



LIST OF PARTS

DESCRIPTION	MATERIAL	FINISH
COVER	PLASTIC	
DRIVE SCREW	STEEL	ZINC
BASE	PLASTIC	
BRIDGE	STEEL	ZINC
TERM ASSY	BRASS	
GROUNDING SPRING	SS	
SCREW	STEEL	ZINC
WASHER	PLASTIC	

DIMENSION SHEET FOR CAT. NO. SEE TABLE

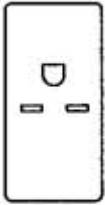
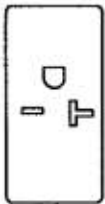
REPAIRABLE NON-REPAIRABLE

1	6/4/07 RELEASED FOR PRODUCTION PER DCN# 14002	FJ	6/4/07
---	---	----	--------

THE DESIGN AND DIMENSIONS OF THE PRODUCT SHOWN ON THIS DRAWING ARE SUBJECT TO CHANGE WITHOUT NOTICE

TITLE
DECORATOR SINGLE RECEP
250V

TOLERANCES UNLESS OTHERWISE SPECIFIED	HUBBELL WIRING SYSTEMS BRIDGEPORT, CT	
FRACTIONS ±1/64	DR. BY FJ	APP. BY RK
DECIMALS ±.005	TR. BY	SCALE 1:1
ANGLES ±2°	CHK'D BY RK	DATE 6/4/07

CATALOG NO'S	COLOR	CONFIG	RATING
RRD155	BROWN	 NEMA 6-15R	15A 250V
RRD155I	IVORY		
RRD155W	WHITE		
RRD155GY	GRAY		
RRD155BK	BLACK		
RRD155AL	ALMOND		
RRD155LA	LIGHT ALMOND		
RRD205	BROWN	 NEMA 6-20R	20A 250V
RRD205I	IVORY		
RRD205W	WHITE		
RRD205GY	GRAY		
RRD205BK	BLACK		
RRD205LA	LIGHT ALMOND		

DIM'S ARE IN INCHES [MM].

B

M-10666

1