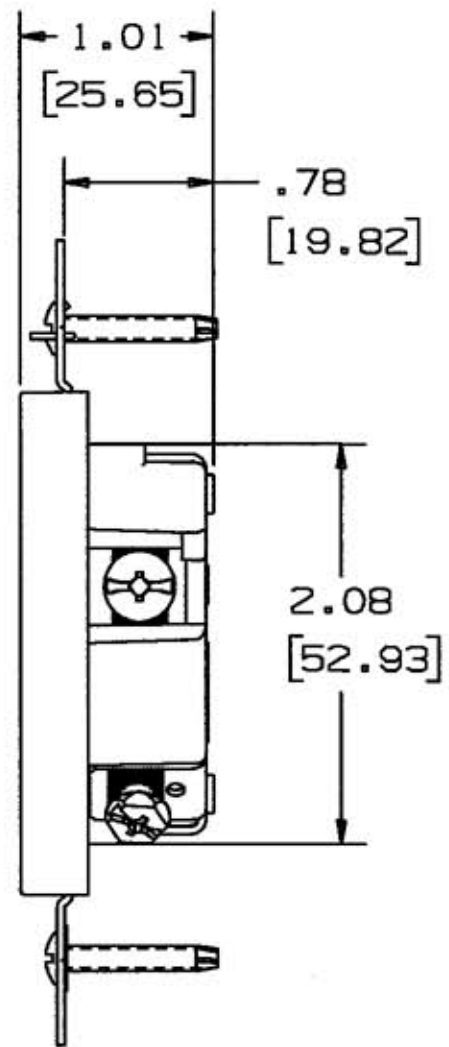
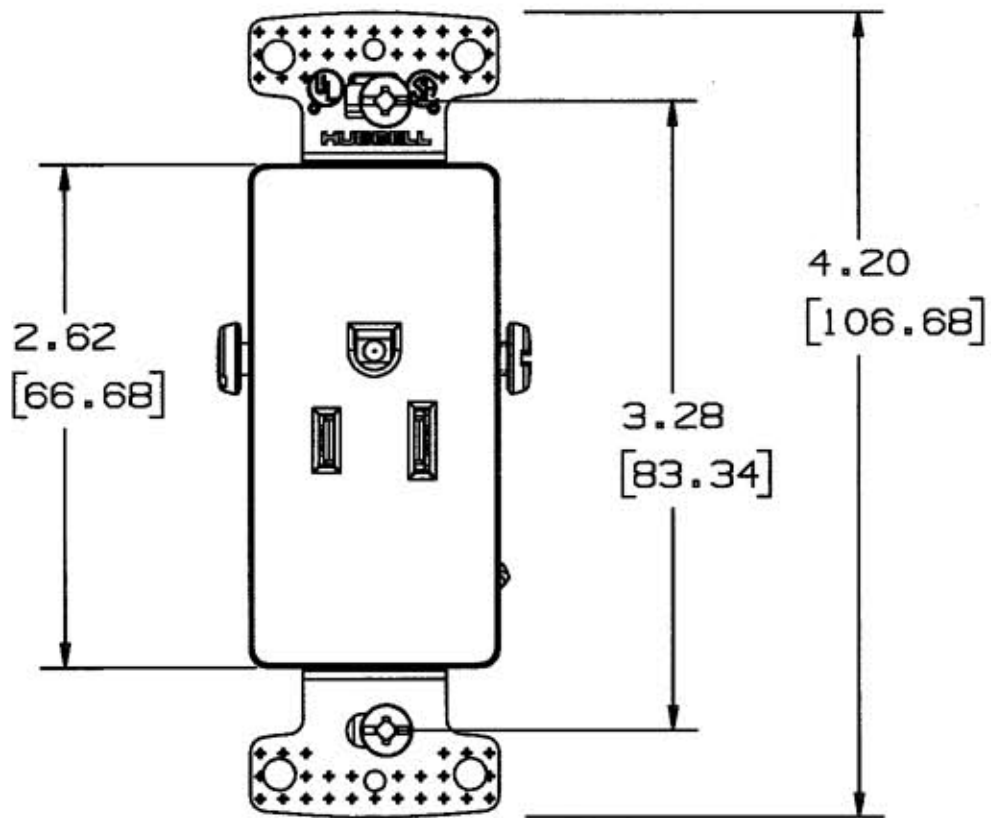
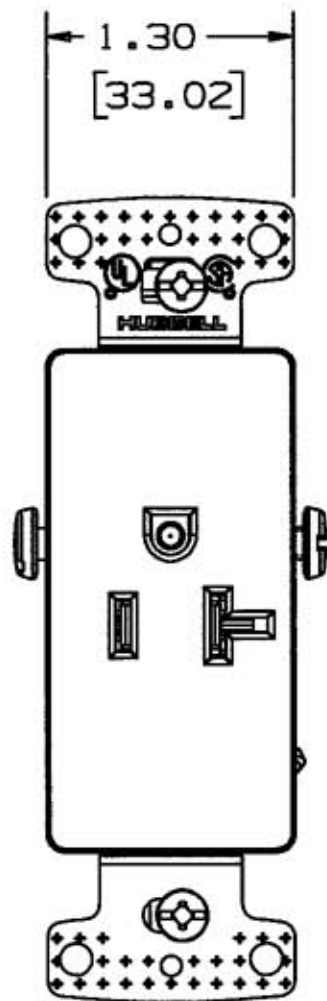


M-9914 1



LIST OF PARTS		
DESCRIPTION	MATERIAL	FINISH
COVER	PLASTIC	
DRIVE SCREW	STEEL	ZINC
BASE	PLASTIC	
BRIDGE	STEEL	ZINC
TERM ASSY NEUTRAL	BRASS	
TERM ASSY HOT	BRASS	
SCREW	STEEL	ZINC
WASHER	PLASTIC	
GROUNDING SPRING	SS	

DIMENSION SHEET FOR CAT. NO. SEE TABLE



REPAIRABLE  NON-REPAIRABLE

1	08/21/06 RELEASED TO PRODUCTION PER DCN# 13102	<i>RJ</i>	08/21/06
SYM	REVISIONS	APP	DATE

THE DESIGN AND DIMENSIONS OF THE PRODUCT SHOWN ON THIS DRAWING ARE SUBJECT TO CHANGE WITHOUT NOTICE

TITLE  
DECORATOR SINGLE RECEP

TOLERANCES UNLESS OTHERWISE SPECIFIED	HUBBELL WIRING SYSTEMS BRIDGEPORT, CT	
FRACTIONS ±1/64	DR. BY MPF	APP. BY FJ
DECIMALS ±.005	TR. BY	SCALE 1:1
ANGLES ±2°	CHK'D BY AMZ	DATE 10/3/05

CATALOG NO'S	COLOR	CONFIG	RATING
RRD151	BROWN	 NEMA 5-15R	15A 125V
RRD151I	IVORY		
RRD151W	WHITE		
RRD151GY	GRAY		
RRD151BK	BLACK		
RRD151AL	ALMOND		
RRD151LA	LIGHT ALMOND		
RRD201	BROWN	 NEMA 5-20R	20A 125V
RRD201I	IVORY		
RRD201W	WHITE		
RRD201GY	GRAY		
RRD201BK	BLACK		
RRD201LA	LIGHT ALMOND		

DIM'S ARE IN INCHES [MM].

M-9914