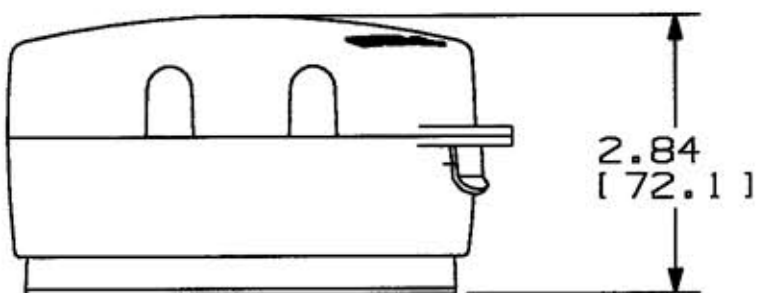
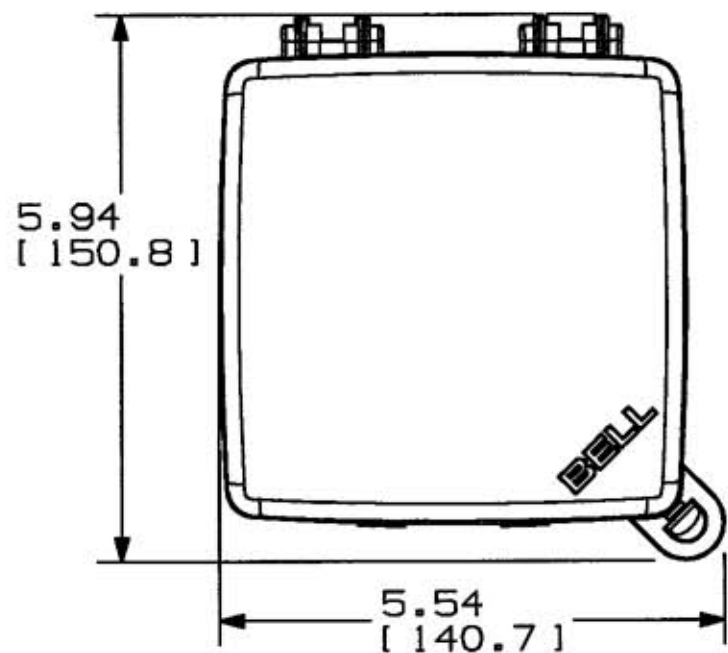
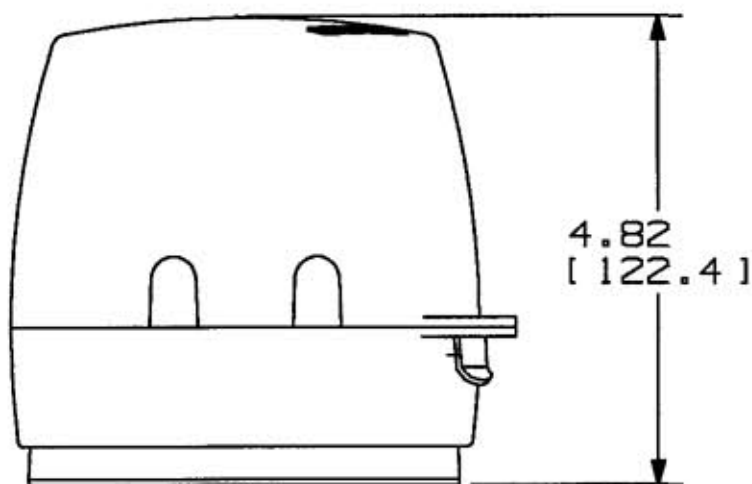
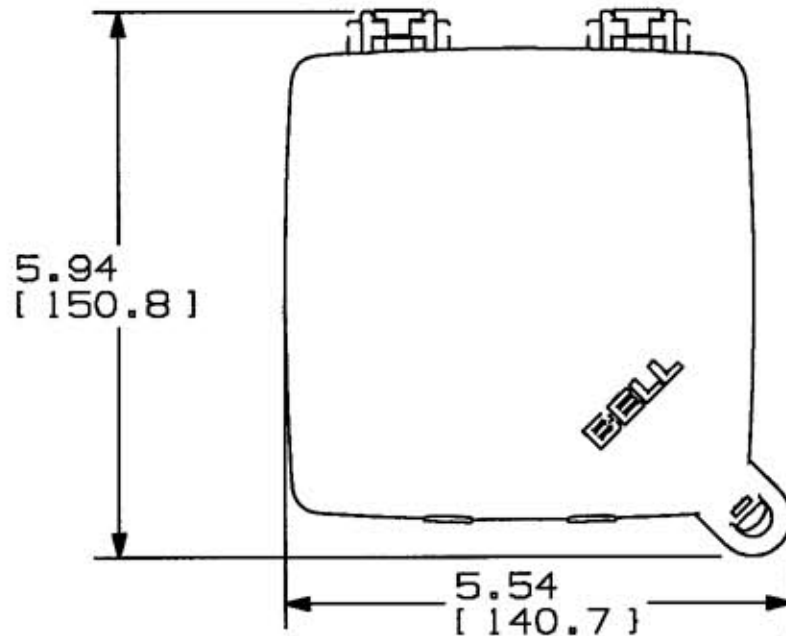


M-10254 1

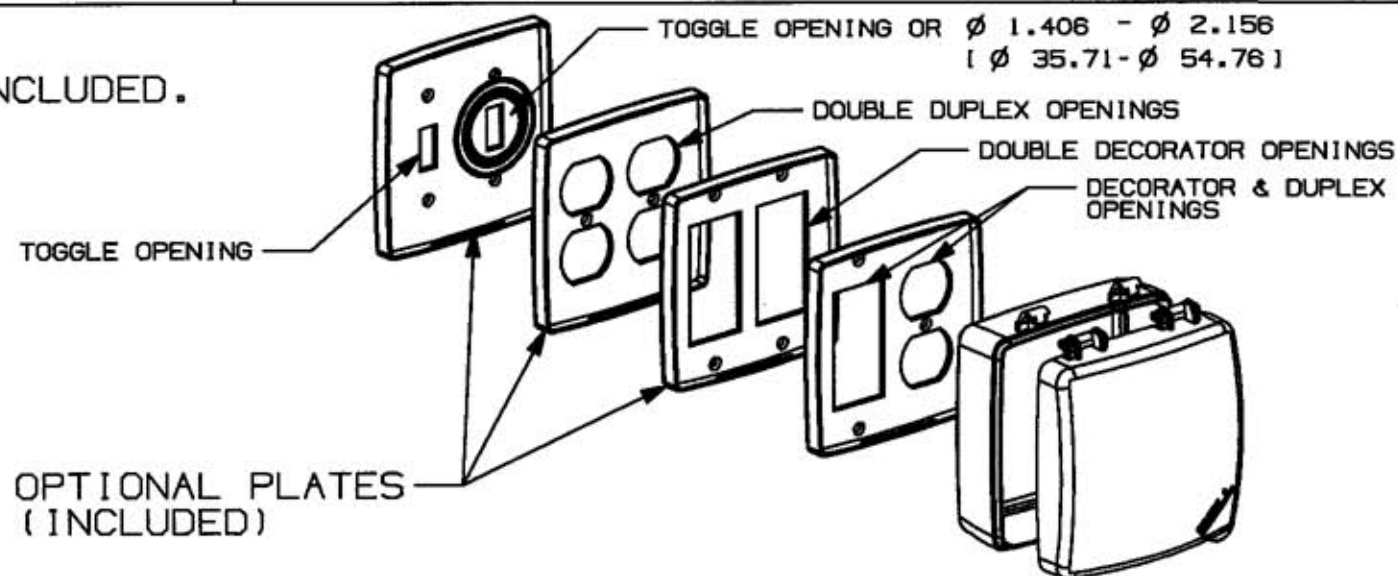
RW57750



RW57900



- NOTES:
1. GASKET AND (4) MOUNTING SCREWS INCLUDED.
 2. MAX PAD LOCK SHAFT $\phi .20$ [5.08].
 3. DIMENSIONS ARE IN INCHES [MM].



LIST OF PARTS

DESCRIPTION	MATERIAL	FINISH
COVER	POLYCARB	CLEAR
BACK	POLYCARB	GRAY
PLATES	POLYCARB	GRAY
GASKET	FOAM	BLACK
SCREW	STEEL	

DIMENSION SHEET FOR CAT. NO. RW57750 RW57900

REPAIRABLE NON-REPAIRABLE

1	"X" REMOVED; LAST "X" REV. WAS "X-1" PER DCN #13326 AMZ	FJ	8/06/06
SYM	REVISIONS	APP	DATE

THE DESIGN AND DIMENSIONS OF THE PRODUCT SHOWN ON THIS DRAWING ARE SUBJECT TO CHANGE WITHOUT NOTICE

TITLE
WEATHER RESISTANT COVER, IN-USE, 2-GANG

TOLERANCES UNLESS OTHERWISE SPECIFIED FRACTIONS $\pm 1/64$ DECIMALS $\pm .005$ ANGLES $\pm 2^\circ$	WIRING DEVICE-KELLEMS HUBBELL INCORPORATED BRIDGEPORT, CT	
	DR. BY AMZ	APP. BY FJ
	TR. BY	SCALE NONE
	CHK'D BY <i>AMZ</i>	DATE 07/19/06

B M-10254 1