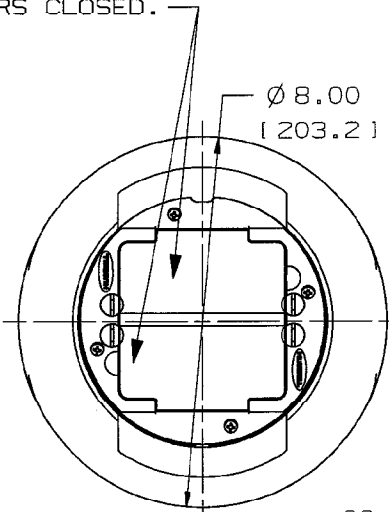


M-11087

1

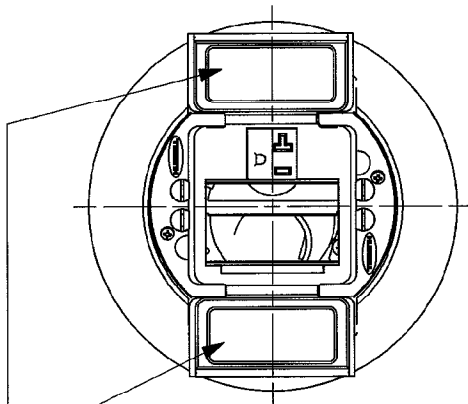
BOX VOLUME: 27 CU. IN/442 CM³

VIEW SHOWN WITH
COVERS CLOSED.

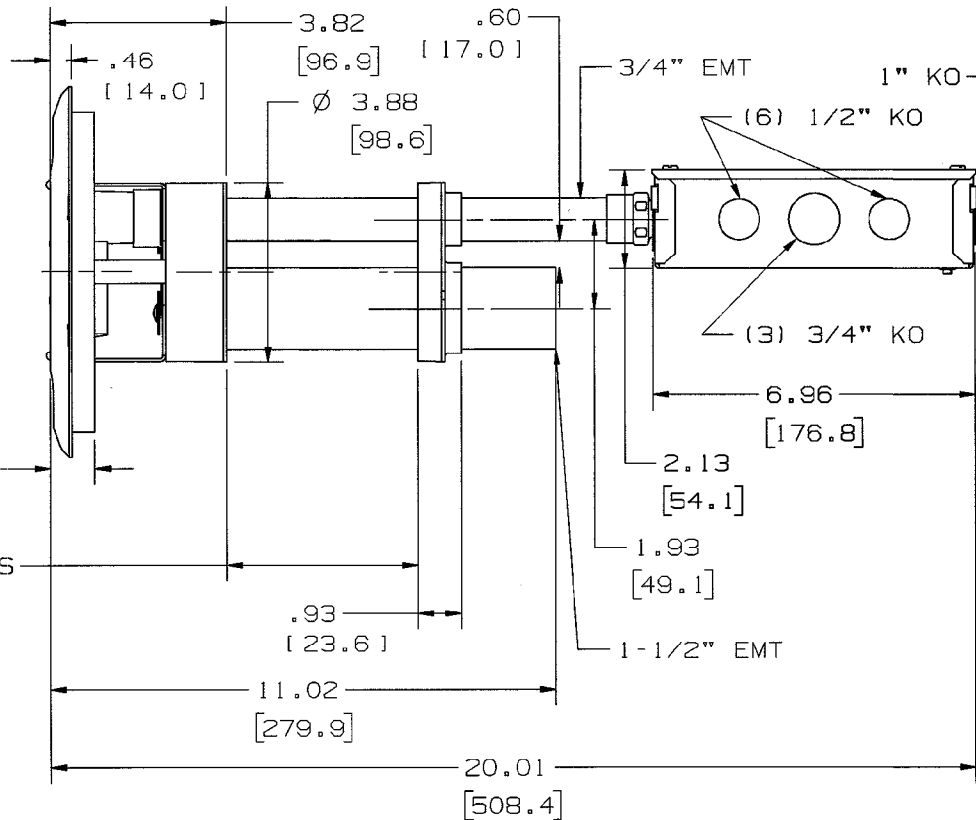


.96
[26.7]

ADJUSTMENT PER
RATED FLOOR THICKNESS
LISTED IN CATALOG



VIEW SHOWN WITH COVERS OPEN.



NOTES: UNLESS OTHERWISE SPECIFIED:
1. DIMENSIONS IN INCHES [MM].

CATALOG NO.	DESCRIPTION	COLOR
SIPT3IMBRSJ	1 PC. 3U INFINE 20A, FRPT	BRASS
SIPT3IMBLJ	1 PC. 3U INFINE 20A, FRPT	BLACK
SIPT3IMGYJ	1 PC. 3U INFINE 20A, FRPT	GRAY
SIPT3IMALJ	1 PC. 3U INFINE 20A, FRPT	ALUM

LIST OF PARTS

DESCRIPTION	MATERIAL	FINISH
CARPET FLANGE	CAST ALUM.	PAINT
(4) SCREW, COVER	STEEL	ZINC PLT.
FLOOR CUP	GALV. CRS	
(2) POSITION CLIP	STAIN. STL.	
(2) SCREW, MTG. CLIP	STEEL	ZINC PLT.
(2) FIRE BARRIER	FIRE BAR. MATL.	
WIRING TUBE ASSEMBLY	GALV. CRS	
(4) SCREW, TORX PN.HD.	STEEL	ZINC PLT.
GASKET, EXTERIOR	RUBBER	BLACK
SUB PLATE 3U INFINI	CAST ALUM.	BLACK
GASKET FLANGE	RUBBER	BLACK
SINGLE 5-20R RECEPT.	THERMOSET	BLACK
INSULATOR, AC	THERMOPLASTIC	GRAY
UNIVERSAL COVER ASM	CAST ALUM.	PAINT
DIVIDER EXTENSION	GALV. CRS	
COLLAR ASSEMBLY	GALV. CRS	
JUNCTION BOX	GALV. CRS	
JUNCTION BOX COVER	GALV. CRS	
SCREW, #10-32 PAN HEAD	STEEL	ZINC PLT.
(2) SCREW, #8 PAN HD	STEEL	ZINC PLT.
3/4" CONDUIT ADAPTOR	STEEL	ZINC PLT.

1	NEW RELEASE PER DCN 14930 MSS	SM	6-23-08
---	-------------------------------	----	---------

SYM	REVISIONS	APP	DATE

THE DESIGN AND DIMENSIONS OF THE
PRODUCT SHOWN ON THIS DRAWING ARE
SUBJECT TO CHANGE WITHOUT NOTICE

TITLE SYSTEM ONE
FRPT ASSEMBLY
1PC. 3U INFINE 20AMP

TOLERANCES UNLESS OTHERWISE SPECIFIED	WIRING DEVICE-KELLEMS HUBBELL INCORPORATED BRIDGEPORT, CT	
FRACTIONS ± 1/64	DR. BY MSS	APP. BY
DECIMALS ± .010	TR. BY	SCALE
ANGLES ± 2°	CHK'D BY	DATE 6-23-08

CODE 74545

DIMENSION SHEET FOR CAT. NO.

REPAIRABLE NON-REPAIRABLE

B

M-11087

1