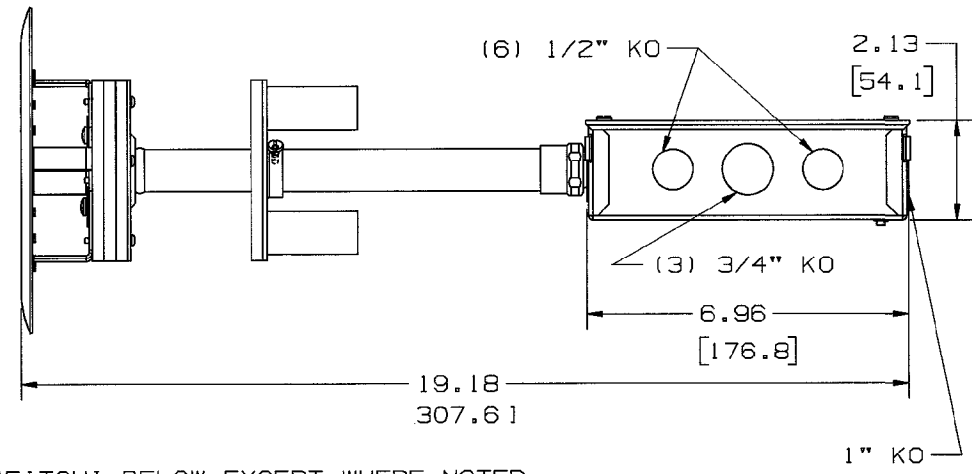
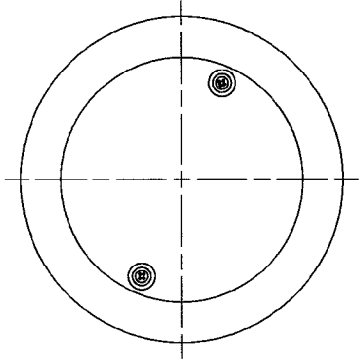
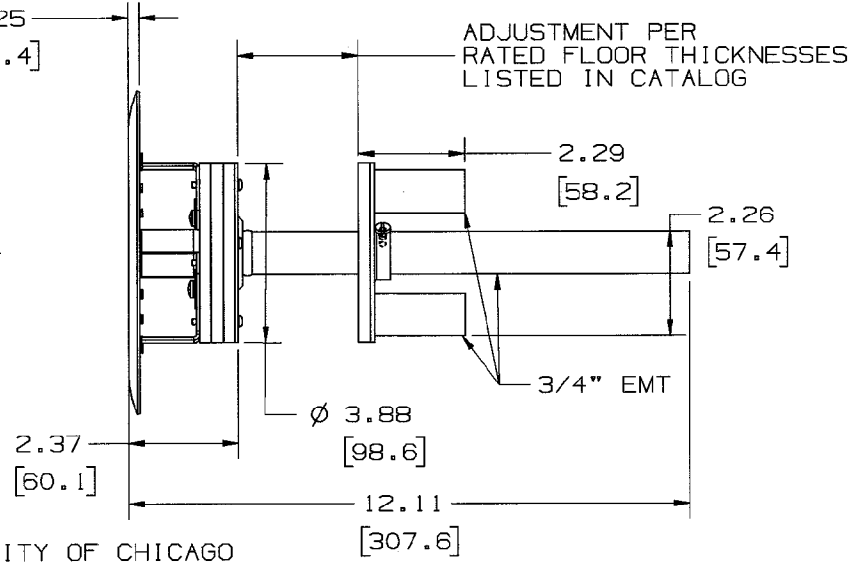
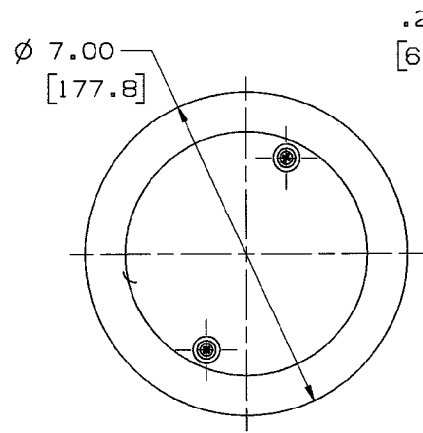


M-11077 1

BOX VOLUME: 27 CU. IN/442 CM³



SIPT4X4FITJ
DIMENSIONS IDENTICAL TO SIPT4X4FITCHI BELOW EXCEPT WHERE NOTED



SIPT4X4FITCHI
APPROVED FOR USE IN THE CITY OF CHICAGO
(SEE CATALOG P. M-14)

DIMENSIONS IN INCHES [MM]

LIST OF PARTS

DESCRIPTION	MATERIAL	FINISH
INSTALLATION PLATE	GALV. CRS	
(2) SCREW, #6 FT. HD.	STEEL	ZINC PLT.
FLOOR CUP 4X4	GALV. CRS	
(2) POSITION CLIP	STAIN. STL.	
(2) SCREW, MTG. CLIP	STEEL	ZINC PLT.
(4) FIRE BARRIER	FIRE BAR. MATL.	NATURAL
WIRING TUBE ASSEMBLY	GALV. CRS	
(4) SCREW, TORX PN. HD.	STEEL	
COLLAR ASSEMBLY	GALV. CRS	
SIPT4X4FITJ ONLY:		
JUNCTION BOX	GALV. CRS	
JUNCTION BOX COVER	GALV. CRS	
SCREW, #10-32 PAN HEAD	STEEL	ZINC PLT.
(2) SCREW, #8 PAN HD	STEEL	ZINC PLT.
3/4" CONDUIT ADAPTOR	STEEL	ZINC PLT.

DIMENSION SHEET FOR CAT. NO.

SEE VIEWS

REPAIRABLE

NON-REPAIRABLE

B

M-11077

1

1	DCN14930 INITIAL RELEASE	SM	6-20-08
SYM	REVISIONS	APP	DATE

THE DESIGN AND DIMENSIONS OF THE PRODUCT SHOWN ON THIS DRAWING ARE SUBJECT TO CHANGE WITHOUT NOTICE

TITLE
SYSTEM ONE
4X4 SERVICE FITTING
WITH/WITHOUT JUNCTION BOX

TOLERANCES UNLESS OTHERWISE SPECIFIED	WIRING DEVICE-KELLEMS HUBBELL INCORPORATED BRIDGEPORT, CT	
FRACTIONS ± 1/64	DR. BY MSS	APP. BY SM
DECIMALS ± .005	TR. BY	SCALE NONE
ANGLES ± 2°	CHK'D BY	DATE 6-20-08