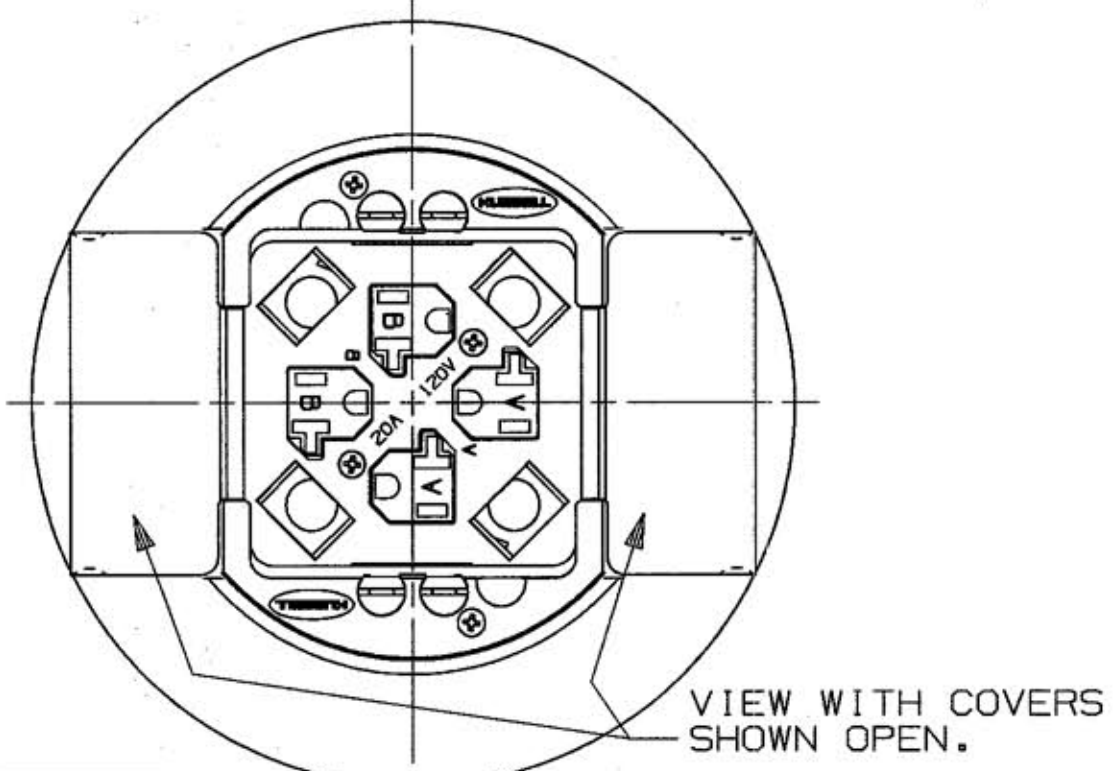
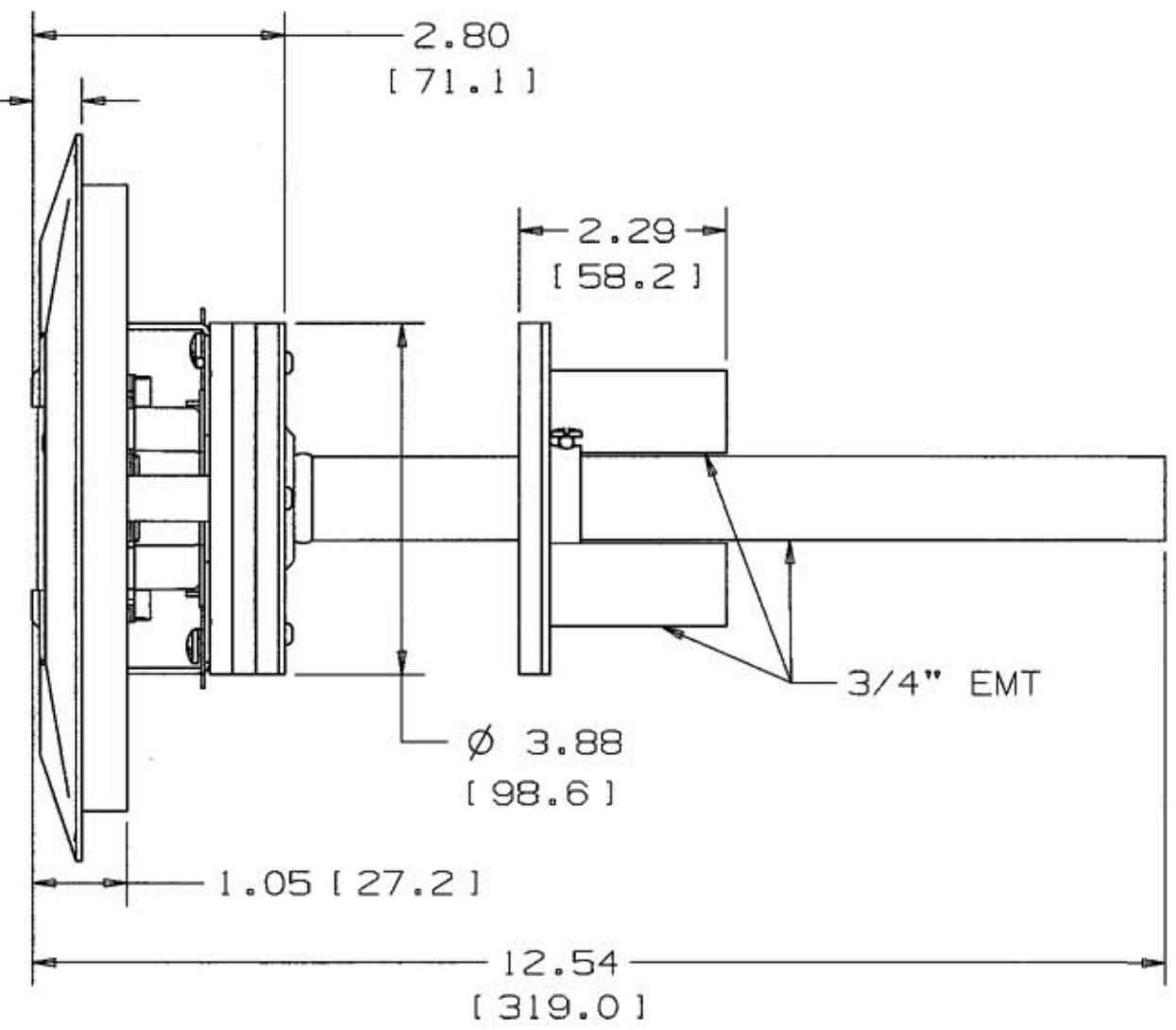
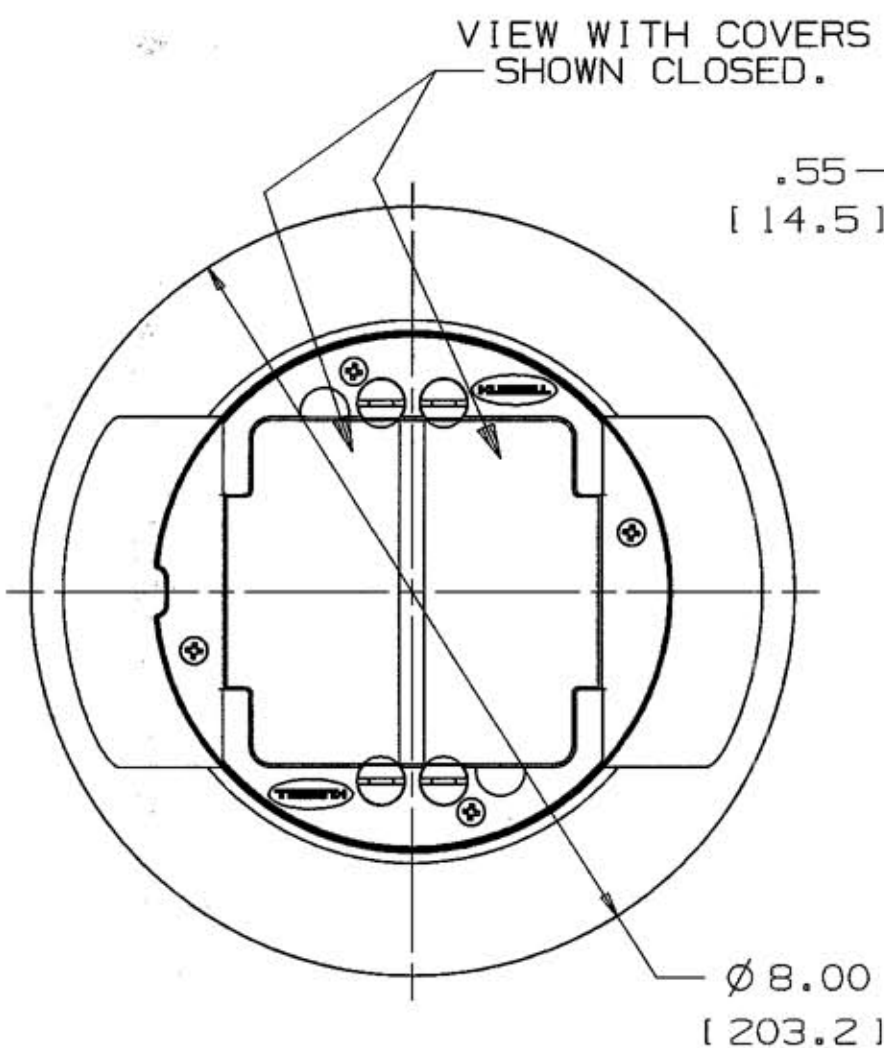


M-9500 6



DIMENSIONS IN INCHES [MM]  
 PRE-WIRED WITH 14AWG LEADS 24" LONG.

CATALOG NO.	DESCRIPTION
SIPT4X4BRS	1 PC. SI 4X4 FRPT, BRASS FINISH
SIPT4X4BL	1 PC. SI 4X4 FRPT, BLACK
SIPT4X4GY	1 PC. SI 4X4 FRPT, GRAY
SIPT4X4AL	1 PC. SI 4X4 FRPT, ALUM FINISH

LIST OF PARTS		
DESCRIPTION	MATERIAL	FINISH
CARPET FLANGE	CAST ALUM.	
(4) SCREW, COVER	STEEL	ZINC PLT.
FLOOR CUP 4X4	GALV. CRS	
INSULATOR, VOLTAGE	THERMOSET	BLACK
INSULATOR, FIRE BARRIER	FIRE BAR. MATL.	
(2) POSITION CLIP	STAIN. STL.	
(2) SCREW, MTG. CLIP	STEEL	ZINC PLT.
(4) FIRE BARRIER	FIRE BAR. MATL.	
WIRING TUBE ASSEMBLY		
(4) SCREW, TORX PN.HD.	STEEL	ZINC PLT.
COLLAR ASSEMBLY		
UNIV. COVER ASM.	CAST ALUM.	
SUB PLATE 4X4	CAST ALUM.	BLACK
GASKET, FLANGE INTERIOR	RUBBER	BLACK
GASKET, EXTERIOR FLOOR	RUBBER	BLACK
RECEPTACLE ASSEMBLY 2 CIRCUIT 4 POSITION MOLDED 20A 125V NEMA 5-20R		BLACK
(6) I.G. STICKER	POLYESTER	WHITE

SYMBOL	REVISIONS	APP	DATE
6	ADD VIEW COVER ASSY. SHOWN OPEN. DCN 14281	DJP GPK	10/2/07
5	ADDED (6) IG STICKER PER DCN 13943 SPN	CAC	5/18/07
4	ADDED CAT NO SIPT4X4AL PER DCN# 12778 PJT	TLS	12/13/05
3	UPDATED UNIV. COVER ASSY. REMOVED 2x .428 PER DCN. 12734 T JV	TLS	11-17-05
2	ADDED 2.29 [58.2], 2x.428 [10.9], 3/4" EMT, PREWIRED LEADS NOTE, REVISED RECEPTACLE IN LIST OF PARTS, DEL. 7.69 [195.8], REVISED TITLE BLOCK FOR SYSTEM ONE PER DCN 12281 TLS	TLS	3-8-05
1	DCN11999 INITIAL RELEASE	TLS	11-8-04

THE DESIGN AND DIMENSIONS OF THE PRODUCT SHOWN ON THIS DRAWING ARE SUBJECT TO CHANGE WITHOUT NOTICE

TITLE SYSTEM ONE  
 4X4 FRPT ASSEMBLY  
 20A 125V

TOLERANCES UNLESS OTHERWISE SPECIFIED	WIRING DEVICE-KELLEMS HUBBELL INCORPORATED BRIDGEPORT, CT	
FRACTIONS ± 1/64	DR. BY PAC	APP. BY TLS
DECIMALS ± .005	TR. BY	SCALE NONE
ANGLES ± 2°	CHK'D BY TLS	DATE 9-21-04

DIMENSION SHEET FOR CAT. NO. M-9500  
 REPAIRABLE  NON-REPAIRABLE  B M-9500