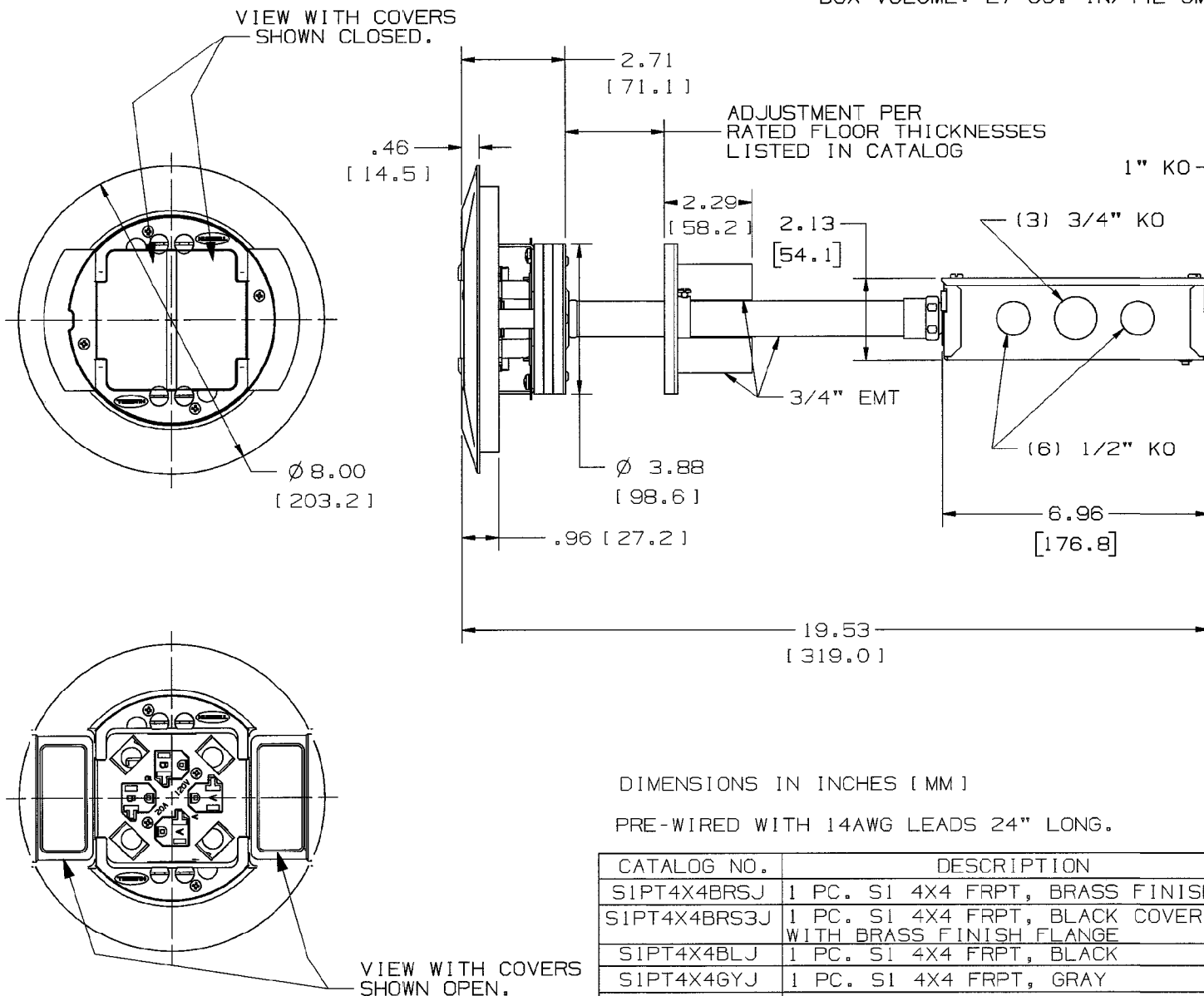


M-11083

1

BOX VOLUME: 27 CU. IN/442 CM<sup>3</sup>



DIMENSIONS IN INCHES [MM]

PRE-WIRED WITH 14AWG LEADS 24" LONG.

CATALOG NO.	DESCRIPTION
S1PT4X4BRSJ	1 PC. S1 4X4 FRPT, BRASS FINISH
S1PT4X4BRS3J	1 PC. S1 4X4 FRPT, BLACK COVER WITH BRASS FINISH FLANGE
S1PT4X4BLJ	1 PC. S1 4X4 FRPT, BLACK
S1PT4X4GYJ	1 PC. S1 4X4 FRPT, GRAY
S1PT4X4ALJ	1 PC. S1 4X4 FRPT, ALUM FINISH

LIST OF PARTS

DESCRIPTION	MATERIAL	FINISH
CARPET FLANGE	CAST ALUM.	PAINT
(4) SCREW, COVER	STEEL	ZINC PLT.
FLOOR CUP 4X4	GALV. CRS	
INSULATOR, VOLTAGE	THERMOSET	BLACK
INSULATOR, FIRE BARRIER	FIRE BAR. MATL.	
(2) POSITION CLIP	STAIN. STL.	
(2) SCREW, MTG. CLIP	STEEL	ZINC PLT.
(4) FIRE BARRIER	FIRE BAR. MATL.	
WIRING TUBE ASSEMBLY	GALV. CRS	
(4) SCREW, TORX PN.HD.	STEEL	ZINC PLT.
COLLAR ASSEMBLY	GALV. CRS	
UNIV. COVER ASM.	CAST ALUM.	PAINT
SUB PLATE 4X4	CAST ALUM.	BLACK
GASKET, FLANGE INTERIOR	RUBBER	BLACK
GASKET, EXTERIOR FLOOR	RUBBER	BLACK
RECEPTACLE ASSEMBLY 2 CIRCUIT 4 POSITION MOLDED 20A 125V NEMA 5-20R	THERMOSET	BLACK
(6) 1/6" STICKER	POLYESTER	WHITE
JUNCTION BOX	GALV. CRS	
JUNCTION BOX COVER	GALV. CRS	
SCREW, #10-32 PAN HEAD	STEEL	ZINC PLT.
(2) SCREW, #8 PAN HD	STEEL	ZINC PLT.
3/4" CONDUIT ADAPTOR	STEEL	ZINC PLT.

SEE TABLE

REPAIRABLE

NON-REPAIRABLE

B

M-11083

1

1	DCN14930 INITIAL RELEASE	SM	6-23-08
SYM	REVISIONS	APP	DATE

THE DESIGN AND DIMENSIONS OF THE PRODUCT SHOWN ON THIS DRAWING ARE SUBJECT TO CHANGE WITHOUT NOTICE

TITLE SYSTEM ONE 4X4 FRPT ASSEMBLY 20A 125V

TOLERANCES UNLESS OTHERWISE SPECIFIED FRACTIONS ±1/64 DECIMALS ±.005 ANGLES ±2'	WIRING DEVICE-KELLEMS HUBBELL INCORPORATED BRIDGEPORT, CT		
	DR. BY	MSS	APP. BY SM
	TR. BY		SCALE NONE
	CHK'D BY		DATE 6-23-08