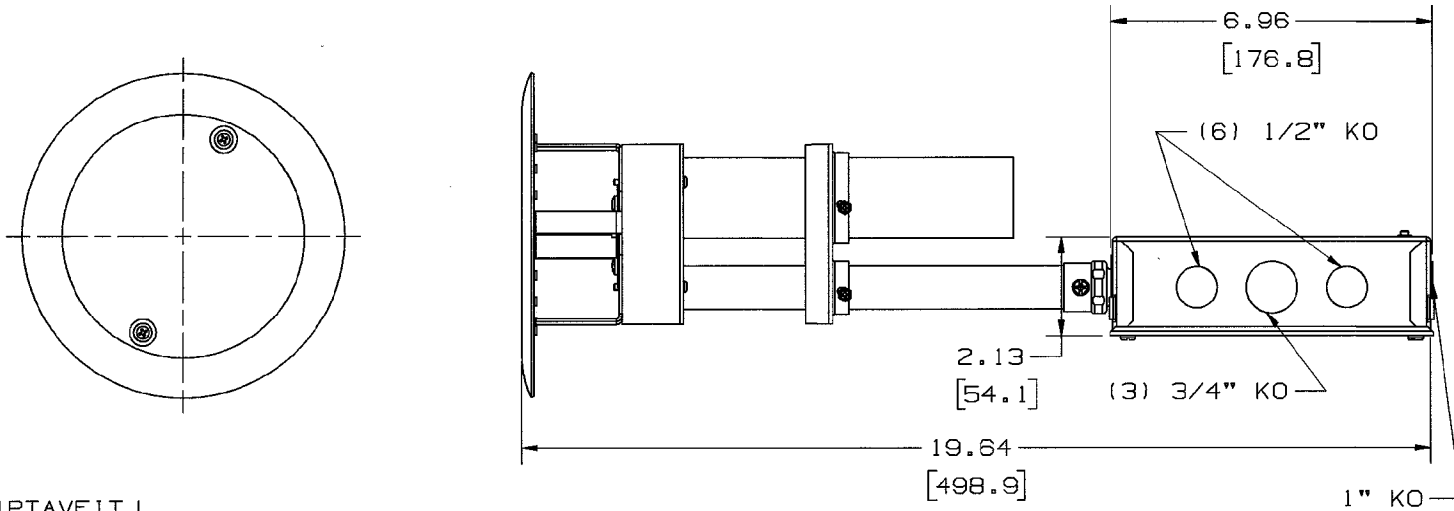


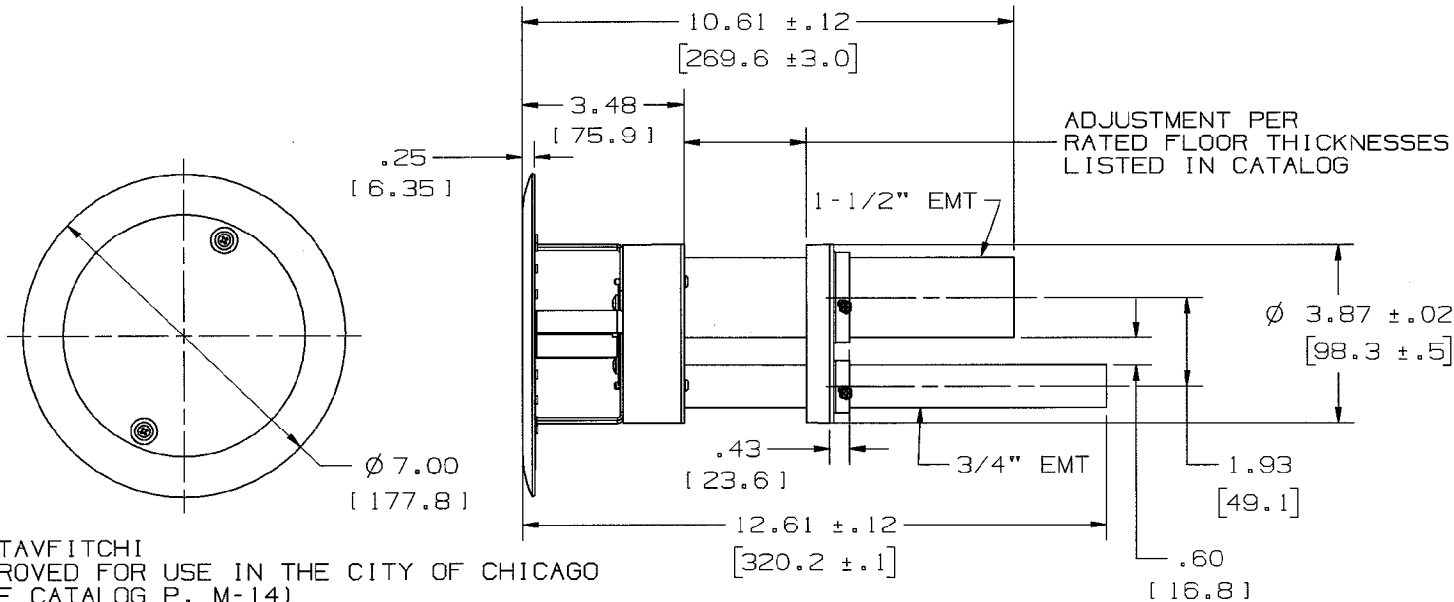
M-11081

1

BOX VOLUME: 27 CU. IN/442 CM³



SIPTAVFITJ
DIMENSIONS ARE THE SAME AS SIPTAVFITCI EXCEPT AS SHOWN



SIPTAVFITCI
APPROVED FOR USE IN THE CITY OF CHICAGO
(SEE CATALOG P. M-14)

CODE 74545

LIST OF PARTS

DESCRIPTION	MATERIAL	FINISH
INSTALLATION PLATE	GALV. CRS.	
(2) SCREW, #6 FT.HD.	STEEL	ZINC PLT.
FLOOR CLIP 4X4	GALV. CRS.	
(2) POSITION CLIP	STAIN. STL.	
(2) SCREW, MT6. CLIP	STEEL	ZINC PLT.
(2) FIRE BARRIER	FIRE BAR. MATL.	NATURAL
WIRING TUBE ASSEMBLY	GALV. CRS.	
(4) SCREW, TORX PN.HD.	PVC	GRAY
DIVIDER EXTENSION	GALV. CRS.	
COLLAR ASSEMBLY	GALV. CRS.	
SIPTAVFITJ ONLY:		
JUNCTION BOX	GALV. CRS.	
JUNCTION BOX COVER	GALV. CRS.	
SCREW, #10-32 PAN HEAD	STEEL	ZINC PLT.
(2) SCREW, #8 PAN HD	STEEL	ZINC PLT.
3/4" CONDUIT ADAPTOR	STEEL	ZINC PLT.

DIMENSION SHEET FROM CAT. NO.

SEE VIEWS

REPAIRABLE

NON-REPAIRABLE

B

M-11081

1

1	NEW RELEASE PER DCN 14930	SM	6-20-08
SYM	REVISIONS	APP	DATE

THE DESIGN AND DIMENSIONS OF THE PRODUCT SHOWN ON THIS DRAWING ARE SUBJECT TO CHANGE WITHOUT NOTICE

TITLE SYSTEM ONE A/V THRU FLOOR FITTING WITH AND WITHOUT JUNCTION BOX

TOLERANCES UNLESS OTHERWISE SPECIFIED		WIRING DEVICE-KELLEMS HUBBELL INCORPORATED BRIDGEPORT, CT	
FRACTIONS	± 1/64	DR. BY	MSS
DECIMALS	± .010	TR. BY	SCALE NONE
ANGLES	± 2'	CHK'D BY	DATE 6-20-08