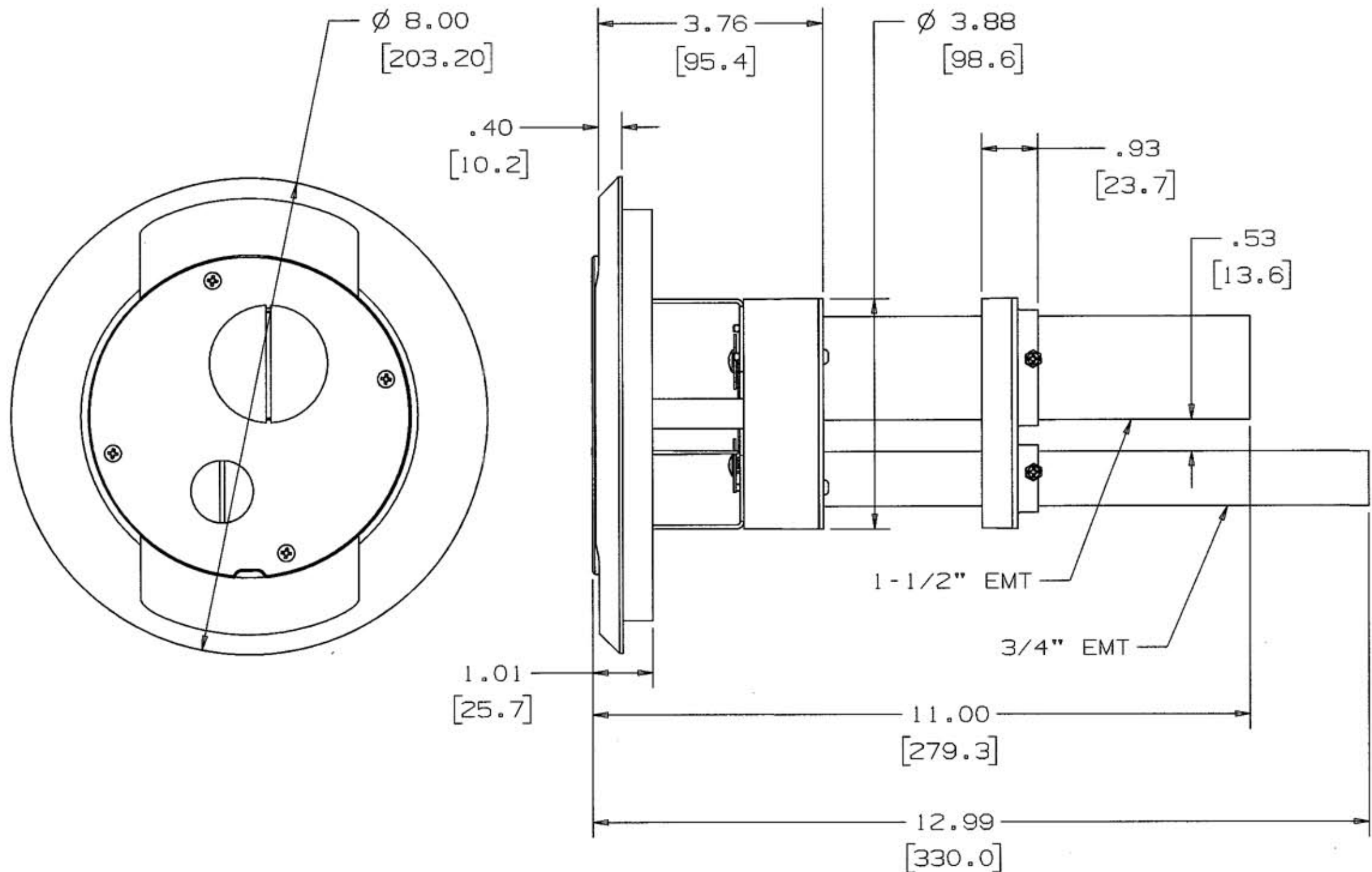


M-10798 2



CATALOG NO.	DESCRIPTION
SIPTFFAL	1 PC FURNITURE FEED, FRPT, ALUMINUM
SIPTFFBL	1 PC FURNITURE FEED, FRPT, BLACK
SIPTFFBRS	1 PC FURNITURE FEED, FRPT, BRASS
SIPTFFGY	1 PC FURNITURE FEED, FRPT, GRAY

DIMENSIONS IN INCHES [MM]

LIST OF PARTS

DESCRIPTION	MATERIAL	FINISH
CARPET FLANGE	CAST ALUM.	NONE
(4) SCREW, COVER	STEEL	ZINC PLATE
FLOOR CUP SIDE/SIDE	GALV. CRS	NONE
(2) POSITION CLIP	STAIN. STL.	NONE
(2) SCREW, MTG. CLIP	STEEL	ZINC PLATE
FIRE BARRIER	LANCOTEK F592A	NONE
WIRING TUBE ASSY	NONE	NONE
(4) SCR, TORX PN. HD	STEEL	ZINC PLATE
GASKET, FLOOR	NEOPRENE	BLACK
SUB PLATE	CAST ALUM.	NONE
GASKET FLANGE	RUBBER	BLACK
DIVIDER	NYLON	NONE
FITTING ASSY	NONE	NONE
PLUG 1-1/2"	CAST ALUM.	NONE
PLUG 3/4"	CAST ZNIC	NONE
DRIVE SCREW	STEEL	NONE

DIMENSION SHEET FOR CAT. NO. SEE TABLE

REPAIRABLE

NON-REPAIRABLE

2	REMOVED 1" EMT; ADDED 3/4" EMT & 1-1/2" EMT PER DCN 14525 RCM	DJP	1/9/08
1	NEW RELEASE PER DCN 14335 SPN	DJP	10/23/07
SYM	REVISIONS	APP	DATE

THE DESIGN AND DIMENSIONS OF THE PRODUCT SHOWN ON THIS DRAWING ARE SUBJECT TO CHANGE WITHOUT NOTICE

TITLE SYSTEM ONE FRPT ASSEMBLY FURNITURE FEED

TOLERANCES UNLESS OTHERWISE SPECIFIED		WIRING DEVICE-KELLEMS HUBBELL INCORPORATED BRIDGEPORT, CT	
FRACTIONS ±1/64	DECIMALS ±.005	DR. BY SPN	APP. BY DJP
ANGLES ±2°		TR. BY	SCALE NONE
		CHK'D BY DJP	DATE 10/19/07

B

M-10798

2