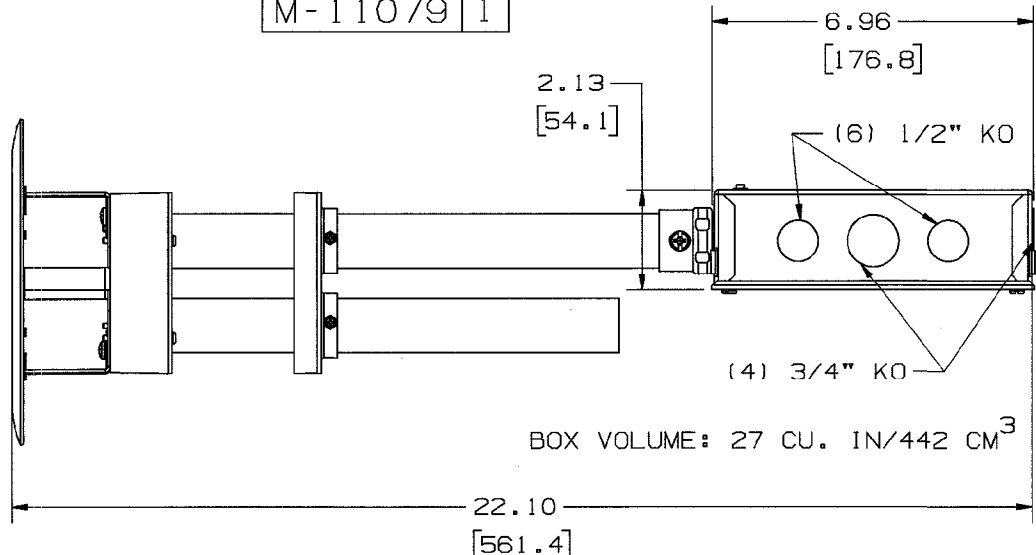
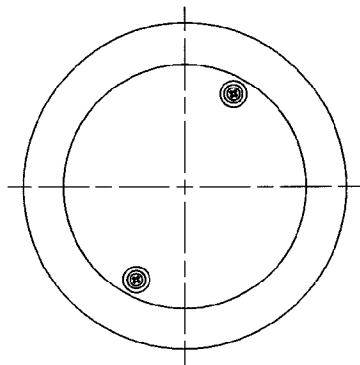
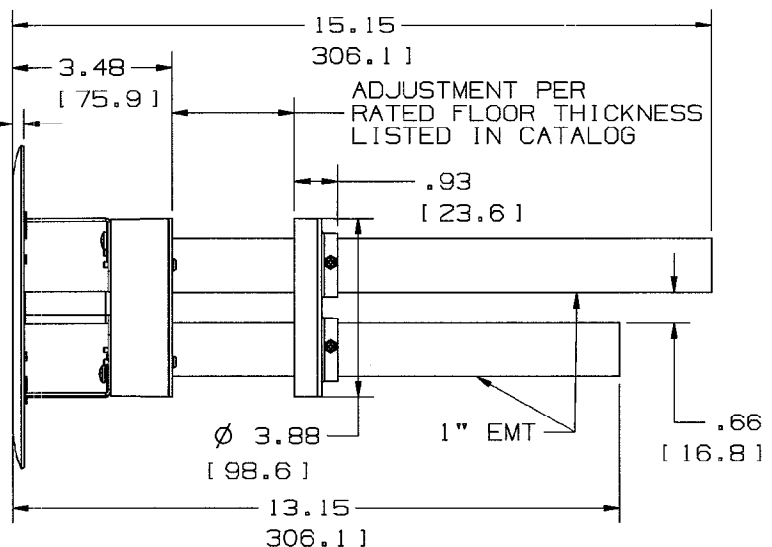
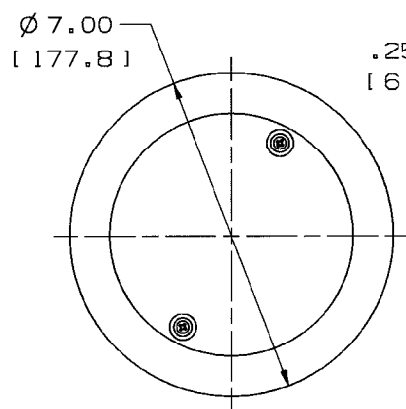


M-11079 1



BOX VOLUME: 27 CU. IN/442 CM<sup>3</sup>

SIPTFITJ  
ALL DIMENSIONS ARE IDENTICAL TO SIPTFITCHI EXCEPT AS SHOWN



SIPTFITCHI  
APPROVED FOR USE IN THE CITY OF CHICAGO  
(SEE CATALOG P. M-14)

CODE 74545

DIMENSIONS IN INCHES [MM]

LIST OF PARTS

DESCRIPTION	MATERIAL	FINISH
INSTALLATION PLATE	GALV. CRS	
(2) SCREW, #6 FT.HD.	STEEL	ZINC PLT.
FLOOR CUP 4X4	GALV. CRS	
(2) POSITION CLIP	STAIN. STL.	
(2) SCREW, MTG. CLIP	STEEL	ZINC PLT.
(4) FIRE BARRIER	FIRE BAR. MATL.	NATURAL
WIRING TUBE ASSEMBLY	GALV. CRS	
(4) SCREW, TORX PN.HD.	STEEL	GRAY
COLLAR ASSEMBLY	GALV. CRS	
<b>SIPTFITJ ONLY:</b>		
JUNCTION BOX	GALV. CRS	
JUNCTION BOX COVER	GALV. CRS	
SCREW, #10-32 PAN HEAD	STEEL	ZINC PLT.
(2) SCREW, #8 PAN HD	STEEL	ZINC PLT.
1" CONDUIT ADAPTOR	STEEL	ZINC PLT.

1	DCN14930 INITIAL RELEASE	SM	6-20-08
SYM	REVISIONS	APP	DATE

THE DESIGN AND DIMENSIONS OF THE PRODUCT SHOWN ON THIS DRAWING ARE SUBJECT TO CHANGE WITHOUT NOTICE

TITLE  
SYSTEM ONE  
THRU FLOOR FITTING  
WITH AND WITHOUT JUNCTION BOX

TOLERANCES UNLESS OTHERWISE SPECIFIED	WIRING DEVICE-KELLEMS HUBBELL INCORPORATED BRIDGEPORT, CT	
FRACTIONS ± 1/64	DR. BY MSS	APP. BY SM
DECIMALS ± .005	TR. BY	SCALE NONE
ANGLES ± 2°	CHK'D BY	DATE 6-20-08

DIMENSION SHEET FOR CAT. NO.

SEE VIEWS

REPAIRABLE  NON-REPAIRABLE

B

M-11079

1