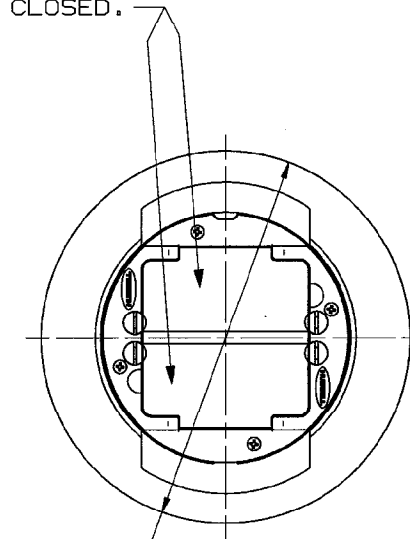


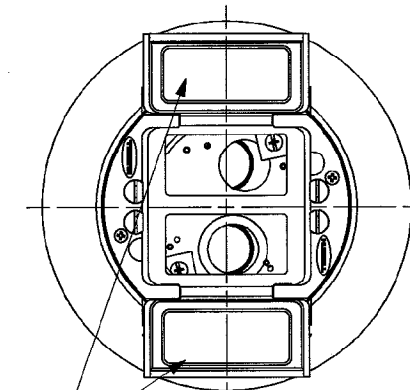
M-11085 1

BOX VOLUME: 27 CU. IN/442 CM³

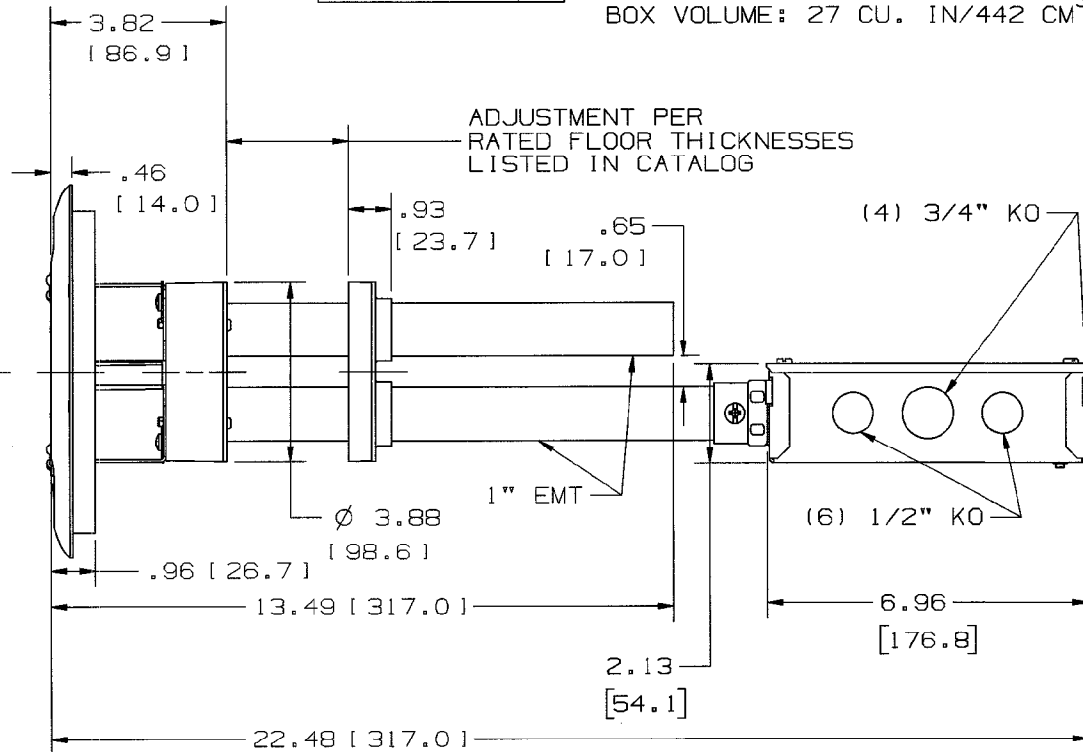
VIEW WITH COVERS CLOSED.



∅ 8.00 [203.2]



VIEW WITH COVERS OPEN.



ADJUSTMENT PER RATED FLOOR THICKNESSES LISTED IN CATALOG

DIMENSIONS IN INCHES [MM]

LIST OF PARTS		
DESCRIPTION	MATERIAL	FINISH
CARPET FLANGE	CAST ALUM.	PAINT
(4) SCREW, COVER	STEEL	ZINC PLT.
FLOOR CUP SIDE/SIDE	GALV. CRS	
(2) POSITION CLIP	STAIN. STL.	
(2) SCREW, MTG. CLIP	STEEL	ZINC PLT.
(3) FIRE BARRIER	FIRE BAR. MATL.	
WIRING TUBE ASSEMBLY	GALV. CRS	
(4) SCREW, TORX PN.HD.	STEEL	ZINC PLT.
GASKET, EXTERIOR	RUBBER	BLACK
SUB PLATE STY/GFI	CAST ALUM.	BLACK
GASKET FLANGE	RUBBER	BLACK
(2) DRIVE SCREW	STEEL	ZINC PLT.
DIVIDER, VOLTAGE	THERMOPLASTIC	GRAY
UNIVERSAL COVER ASM	CAST ALUM.	PAINT
(6) 1.6. STICKER	POLYESTER	WHITE
COLLAR ASSEMBLY	GALV. CRS	
JUNCTION BOX	GALV. CRS	
JUNCTION BOX COVER	GALV. CRS	
SCREW, #10-32 PAN HEAD	STEEL	ZINC PLT.
(2) SCREW, #8 PAN HD	STEEL	ZINC PLT.
1" CONDUIT ADAPTOR	STEEL	ZINC PLT.

DIMENSION SHEET FOR CAT. NO. SEE TABLE

REPAIRABLE NON-REPAIRABLE

B

M-11085

1

1	DCN14930 INITIAL RELEASE	SM	6-23-08
SYM	REVISIONS	APP	DATE

THE DESIGN AND DIMENSIONS OF THE PRODUCT SHOWN ON THIS DRAWING ARE SUBJECT TO CHANGE WITHOUT NOTICE

TITLE SYSTEM ONE FRPT ASSEMBLY 1PC. STYLELINE/GFI

TOLERANCES UNLESS OTHERWISE SPECIFIED	WIRING DEVICE-KELLEMS HUBBELL INCORPORATED BRIDGEPORT, CT		
FRACTIONS ± 1/64	DR. BY	MSS	APP. BY SM
DECIMALS ± .005	TR. BY	SCALE NONE	
ANGLES ± 2°	CHK'D BY	DATE 6-23-08	

CATALOG NO.	DESCRIPTION
SIPTBRSJ	1 PC. S1 STYLELINE/GFI, BRASS FINISH POWDER COAT
SIPTBLJ	1 PC. S1 STYLELINE/GFI, BLACK POWDER COAT
SIPTGYJ	1 PC. S1 STYLELINE/GFI, GRAY POWDER COAT
SIPTALJ	1 PC. S1 STYLELINE/GFI, ALUM FINISH POWDER COAT