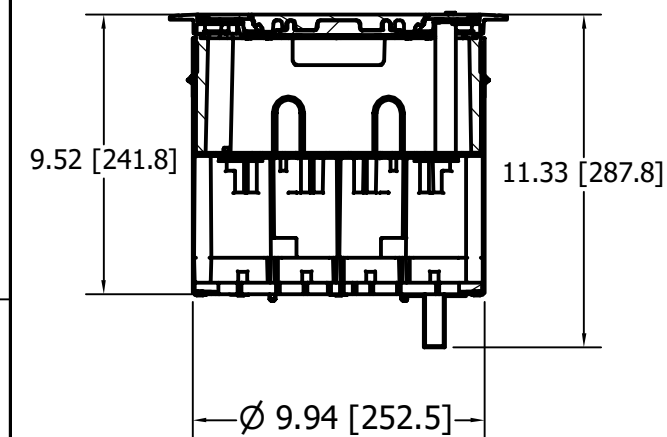
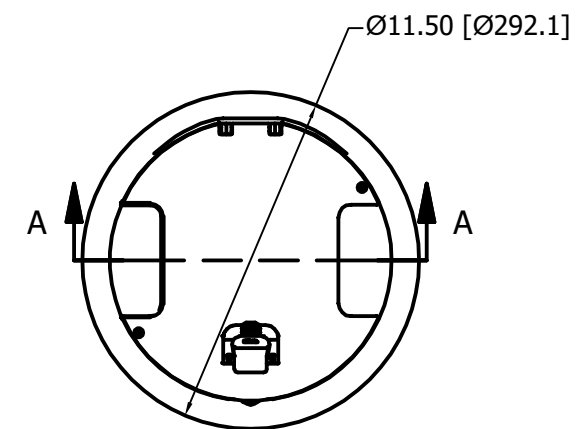
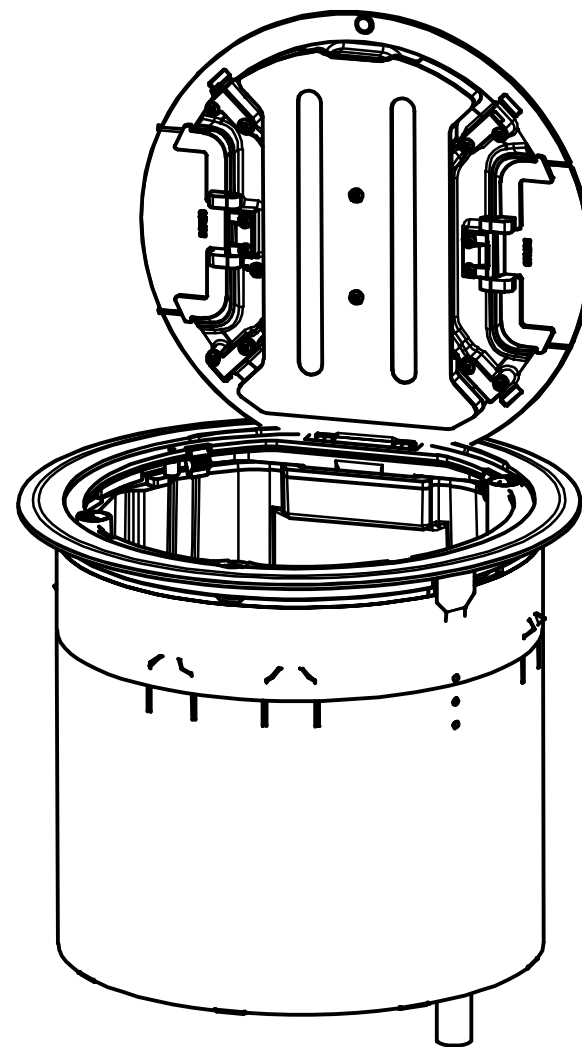
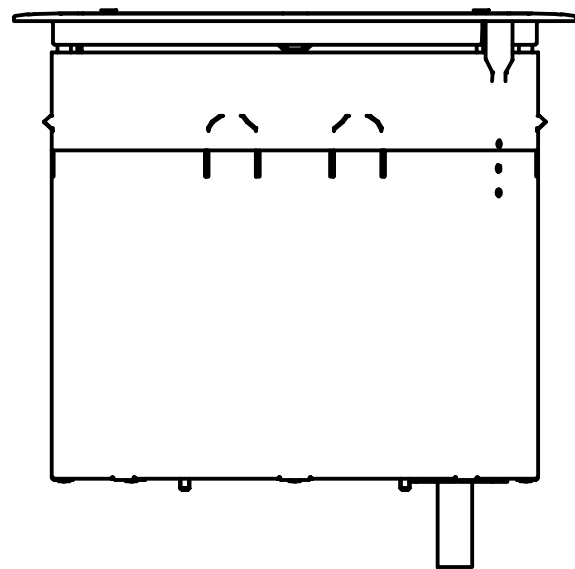


S1R10PTXX AND S1R10PTZXX

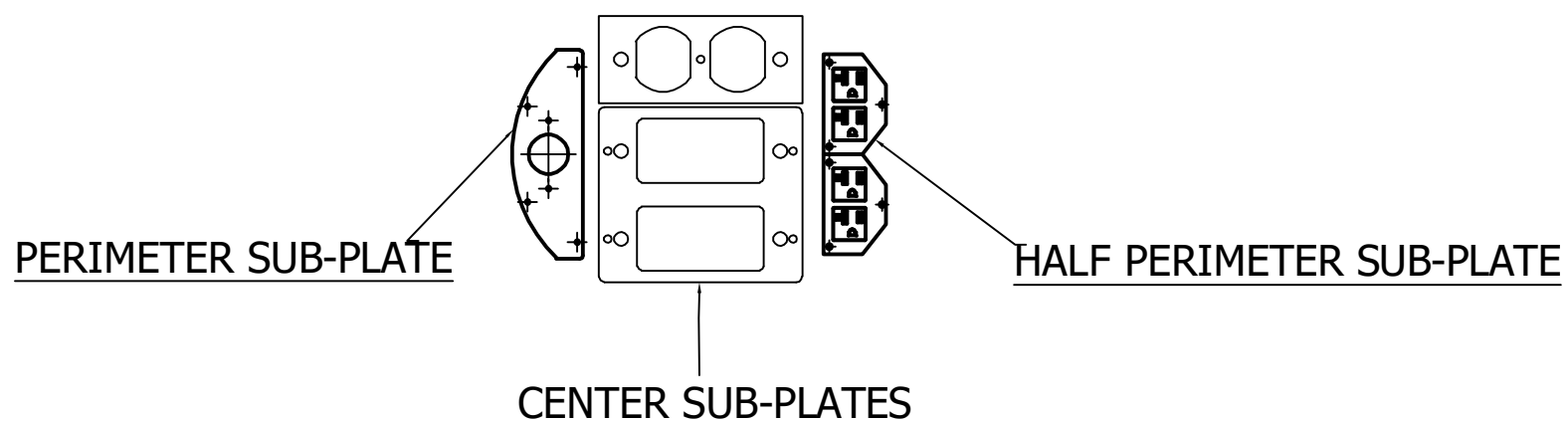
NOTES:

1. S1R10PTXX INCLUDES (1) S1R10PTFIT, (2)S1R10PSPREPBRKT, (4) S1R10CBFPT, (3) S1R10PBFBLANK, (1) S1R10PBF075, (1) S1R10PERIMDIV, (1) S1R10CVRXX
2. S1R10PTZXX INCLUDES (1) S1R10PTFIT, (2)S1R10PSPREPBRKT, (4) S1R10CBFPT, (3) S1R10CBFBLANK, (1) S1R10PBF075, (1) S1R10PERIMDIV, (2) S1R10PSPZ, (1) S1R10CVRXX
3. XX INDICATES COVER FINISH OPTIONS; ALU- ALUMINUM, BLK- BLACK POWDER COAT, BRS- BRUSH BRASS PLATED, BRZ- ANTIQUE BRONZE PLATES, GRY- GRAY POWDER PAINT, NKL- SATIN NICKEL PLATED
4. FOLLOW MANUFACTURERS DIRECTIONS AND GUIDELINES FOR THE INSTALLATION AND MOUNTING OF FIRE-RATED POKE-THROUGH AND ALL THE ASSOCIATED COMPONENTS.

REV	DESCRIPTION	APP	DATE
THE DESIGN AND DIMENSIONS OF THE PRODUCT SHOWN ON THIS DRAWING ARE SUBJECT TO CHANGE WITHOUT NOTICE			
TITLE <b>10" RECESSED POKE-THROUGH</b>			
<b>TOLERANCES UNLESS OTHERWISE SPECIFIED</b>  .XX = ± .01 .XXX = ± .005 ANGLES = ± 2°		<b>WIRING DEVICE-KELLEMS HUBBELL INCORPORATED</b> SHELTON, CT	
		DR. BY	APP. BY
		TR. BY	SCALE
		CHK. BY	DATE



SECTION A-A  
SCALE .15



CENTER SUB-PLATES WITH PERIMETER SUB PLATES

NOTES:

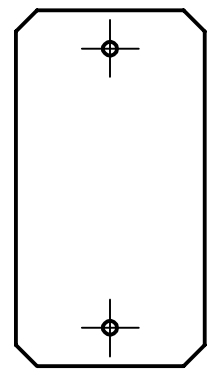
1. SUB PLATES INCLUDES CENTER SUB-PLATES WITH OUTER SUB-PLATES.
2. CENTER PLATE CONFIGURATIONS ALLOWS FOR 3 DUPLEXES OR UPTO 18 DATA/AV JACKS. OTHER COMBINATION POSSIBLE.
3. OUTER PLATE CONFIGURATIONS AVAILABLE IN PRE-WIRED DUPLEXES OR OPENINGS TO ACCOMMODATE THIRD PARTY AV DEVICES.

REV	DESCRIPTION	APP	DATE

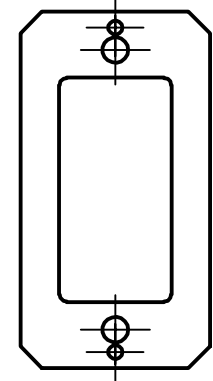
THE DESIGN AND DIMENSIONS OF THE PRODUCT SHOWN ON THIS DRAWING ARE SUBJECT TO CHANGE WITHOUT NOTICE

TITLE  
10" RECESSED POKE-THROUGH

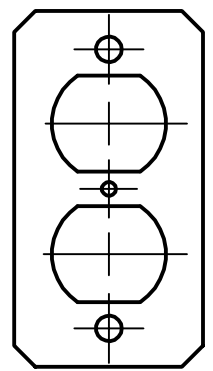
<b>TOLERANCES UNLESS OTHERWISE SPECIFIED</b>  .XX = ± .01 .XXX = ± .005 ANGLES = ± 2°	<b>WIRING DEVICE-KELLEMS HUBBELL INCORPORATED SHELTON, CT</b>	
	DR. BY	APP. BY
	TR. BY	SCALE
	CHK. BY	DATE



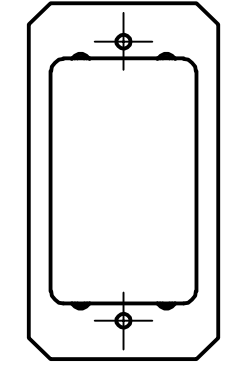
CATALOG NUMBER  
S1R10CSPB  
BLANK PLATE



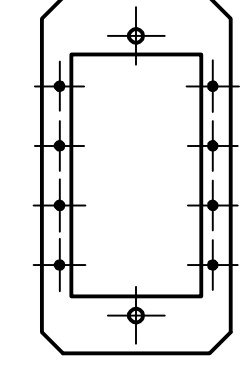
CATALOG NUMBER  
S1R10CSPD  
STYLE LINE DECORATOR



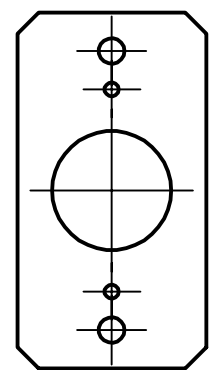
CATALOG NUMBER  
S1R10CSPI  
DUPLEX



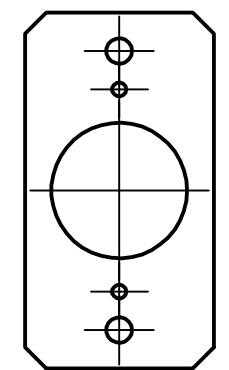
CATALOG NUMBER  
S1R10CSPL  
3U iSTATION



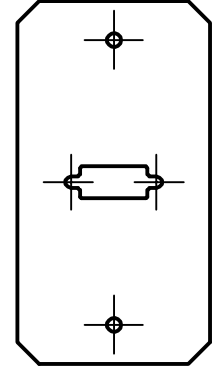
CATALOG NUMBER  
S1R10CSPC  
(4) EXTRON MAAP



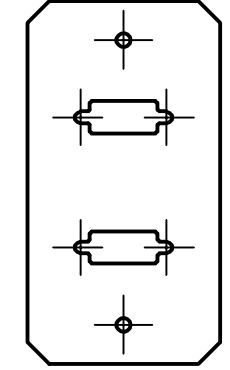
CATALOG NUMBER  
S1R10CSPJ  
1.40" OPENING



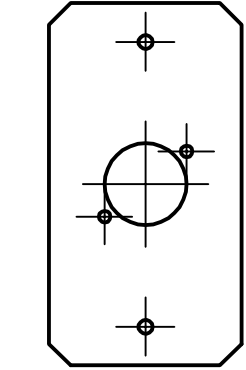
CATALOG NUMBER  
S1R10CSPG  
1.60" OPENING



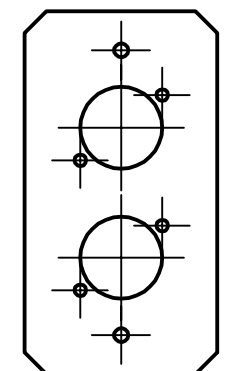
CATALOG NUMBER  
S1R10CSPH  
VGA/HDMI/DP OPENINGS



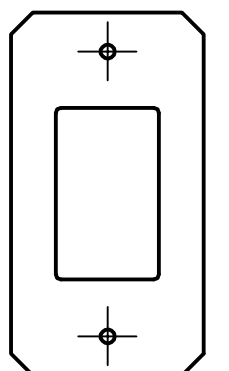
CATALOG NUMBER  
S1R10CSP2H  
(2) VGA/HDMI/DP OPENINGS



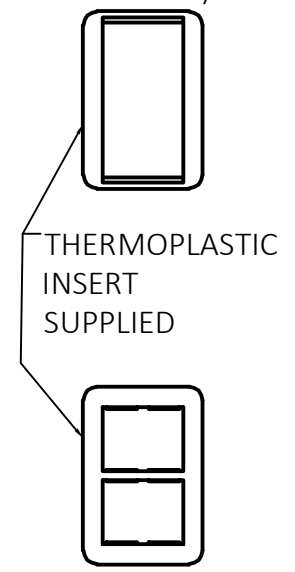
CATALOG NUMBER  
S1R10CSPX  
XLR OPENING



CATALOG NUMBER  
S1R10CSP2X  
(2) XLR OPENINGS



CATALOG NUMBER  
S1R10CSPK  
TRACJACK/SERIES II OPENING

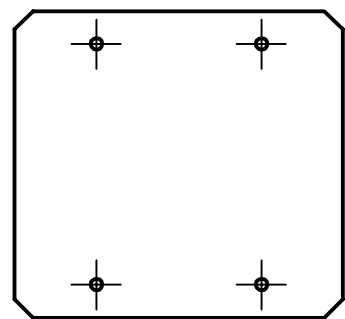


CENTER SUB-PLATES - SINGLE GANG

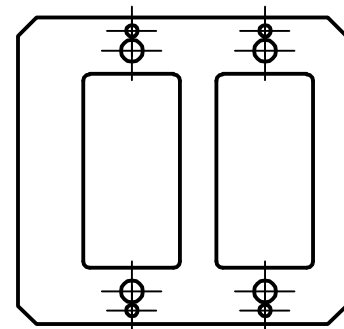
THE DESIGN AND DIMENSIONS OF THE  
PRODUCT SHOWN ON THIS DRAWING ARE  
SUBJECT TO CHANGE WITHOUT NOTICE

TITLE  
10" RECESSED POKE-THROUGH

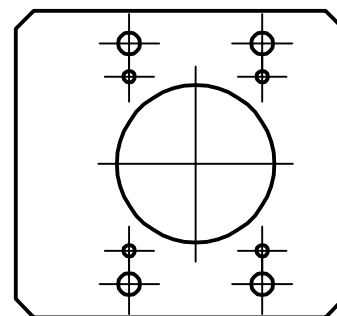
TOLERANCES UNLESS OTHERWISE SPECIFIED  .XX = ± .01 .XXX = ± .005 ANGLES = ± 2°	WIRING DEVICE-KELLEMS HUBBELL INCORPORATED SHELTON, CT	
	DR. BY	APP. BY
	TR. BY	SCALE
	CHK. BY	DATE



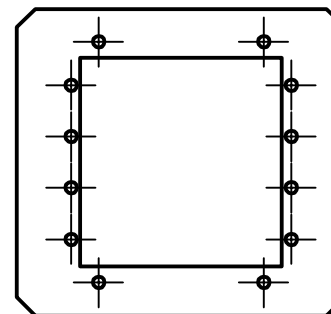
CATALOG NUMBER  
S1R10CSP2B  
BLANK PLATE



CATALOG NUMBER  
S1R10CSPM  
DUPLEX NEMA SPACING

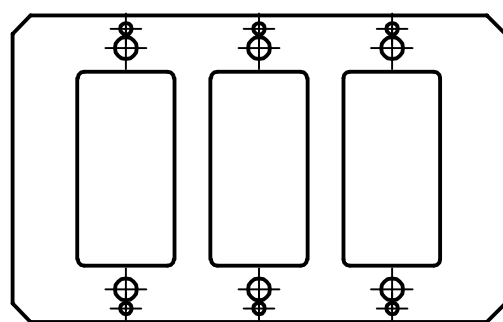


CATALOG NUMBER  
S1R10CSPE  
2.16" OPENING

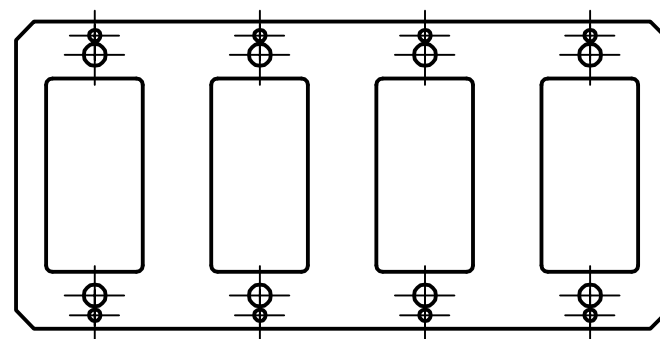


CATALOG NUMBER  
S1R10CSPU  
(4) EXTRON AAP

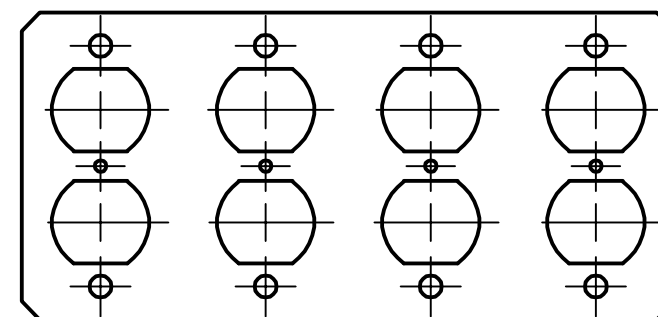
CENTER SUB-PLATES - TWO GANG



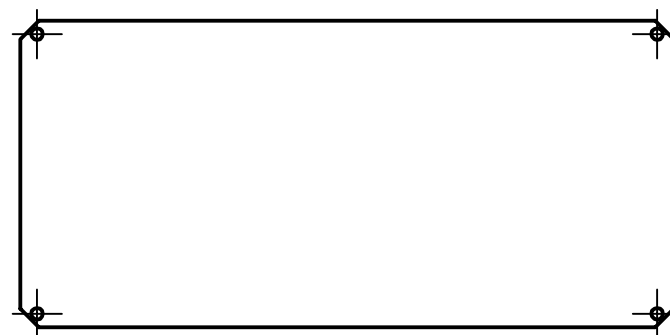
CATALOG NUMBER  
S1R10CSPT  
DECORATOR NEMA  
SPACING



CATALOG NUMBER  
S1R10CSPP  
DECORATOR



CATALOG NUMBER  
S1R10CSPR  
DUPLEX



CATALOG NUMBER  
S1R10CSPQ  
BLANK PLATE

CENTER SUB-PLATES - THREE AND FOUR GANG

FRPT ASSEMBLY 10 INCH SUB PLATE REQUIRED FOR ALL APPLICATIONS, SOLD SEPARATELY

NOTES:

- 1) ALL OVERALL PLATE DIMENSIONS ARE SAME AS PLATE S1R10CSPB.
- 2) ALL PLATES SHIPPED WITH MOUNTING SCREWS, NOT SHOWN.

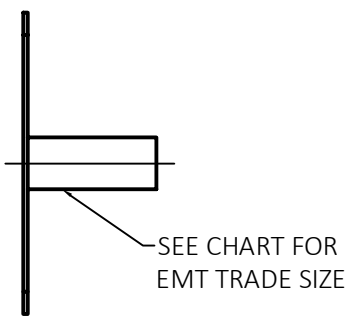
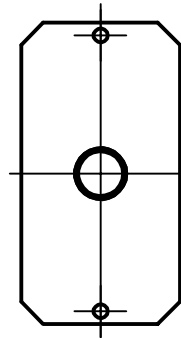
THE DESIGN AND DIMENSIONS OF THE PRODUCT SHOWN ON THIS DRAWING ARE SUBJECT TO CHANGE WITHOUT NOTICE

TITLE  
10" RECESSED POKE-THROUGH

TOLERANCES UNLESS OTHERWISE SPECIFIED  
.XX = ± .01  
.XXX = ± .005  
ANGLES = ± 2'

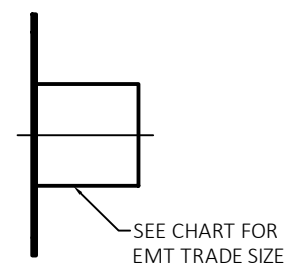
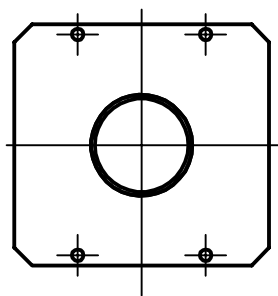
WIRING DEVICE-KELLEMS  
HUBBELL INCORPORATED  
SHELTON, CT

DR. BY	APP. BY
TR. BY	SCALE
CHK. BY	DATE



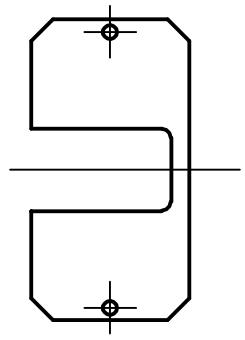
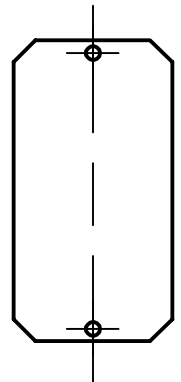
SEE CHART FOR EMT TRADE SIZE

CAT. NO.	DESCRIPTION	EMT TRADE SIZE
S1R10CBF050	1 GANG	1/2"
S1R10CBF075	1 GANG	3/4"
S1R10CBF100	1 GANG	1"
S1R10CBF125	1 GANG	1-1/4"



SEE CHART FOR EMT TRADE SIZE

CAT. NO.	DESCRIPTION	EMT TRADE SIZE
S1R10CBF150	2 GANG	1-1/2"
S1R10CBF200	2 GANG	2"
S1R10CBF250	2 GANG	2-1/2"



CAT. NO. S1R10CBFBLANK  
1 GANG BLANK PLATE

CAT. NO. S1R10CBFPT  
1 GANG PASS THRU PLATE

CENTER BOTTOM FEED PLATES - ONE AND TWO GANG CENTER

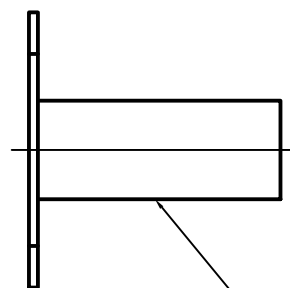
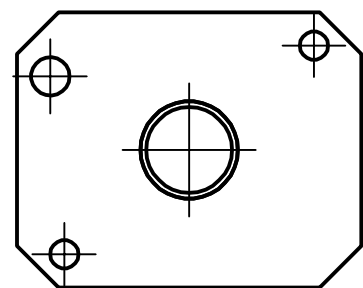
NOTES:

1. ALL OVERALL 1 GANG PLATE DIMENSIONS ARE SAME AS BLANK PLATE S1R10PBFBLANK.
2. ALL 1 GANG BOTTOM FEEDS SHIPPED WITH (2) MOUNTING SCREWS, NOT SHOWN.
3. ALL 2 GANG BOTTOM FEEDS SHIPPED WITH (4) MOUNTING SCREWS, NOT SHOWN.

THE DESIGN AND DIMENSIONS OF THE PRODUCT SHOWN ON THIS DRAWING ARE SUBJECT TO CHANGE WITHOUT NOTICE

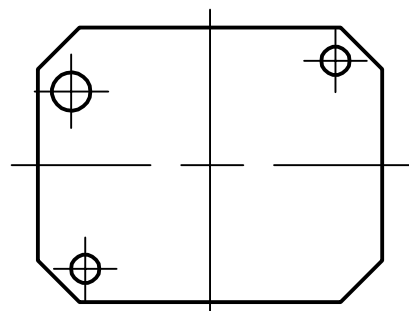
TITLE  
10" RECESSED POKE-THROUGH

TOLERANCES UNLESS OTHERWISE SPECIFIED	WIRING DEVICE-KELLEMS HUBBELL INCORPORATED SHELTON, CT		
	.XX = ± .01	DR. BY	APP. BY
	.XXX = ± .005	TR. BY	SCALE
	ANGLES = ± 2'	CHK. BY	DATE

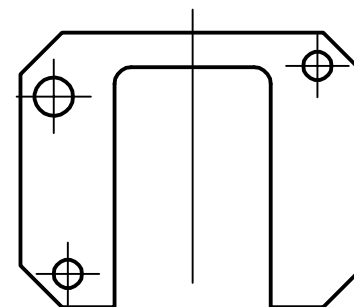


SEE CHART FOR EMT TRADE SIZE

CAT. NO.	EMT TRADE SIZE
S1R10PBF050	1/2"
S1R10PBF075	3/4"
S1R10PBF100	1"
S1R10PBF125	1-1/4"

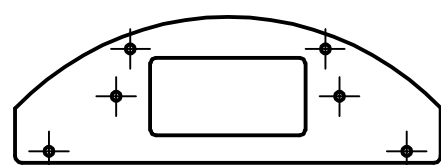


CAT. NO. S1R10PBFBLANK  
BLANK PLATE

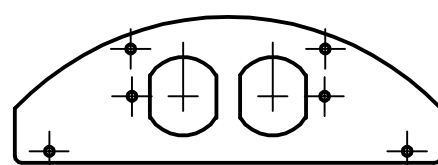


CAT. NO. S1R10PBFPT  
PASS THRU PLATE

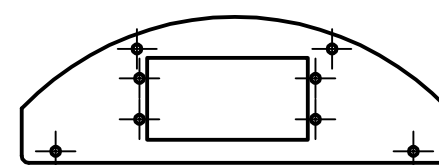
PERIMETER BOTTOM FEED PLATES



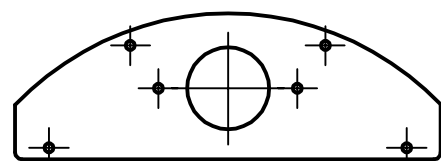
CATALOG NUMBER  
S1R10SPD  
DECORATOR



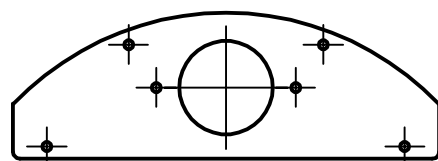
CATALOG NUMBER  
S1R10SPI  
DUPLEX



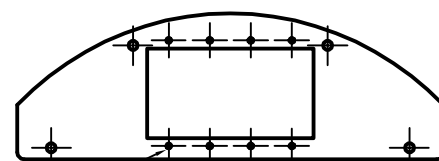
CATALOG NUMBER  
S1R10SPA  
(2) EXTRON AAP



CATALOG NUMBER  
S1R10SPJ  
1.40" OPENING



CATALOG NUMBER  
S1R10SPG  
1.60" OPENING



CATALOG NUMBER  
S1R10SPC  
(4) EXTRON MAAP

PERIMETER SUB PLATES - FULL GANG

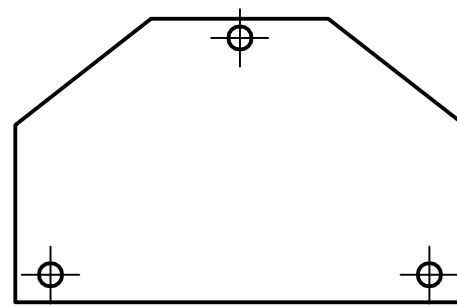
NOTES:

1. ALL OVERALL PLATE DIMENSIONS ARE SAME AS BLANK PLATE S1R10PBFBLANK.
2. ALL BOTTOM FEEDS SHIPPED WITH (2) MOUNTING SCREWS, NOT SHOWN.

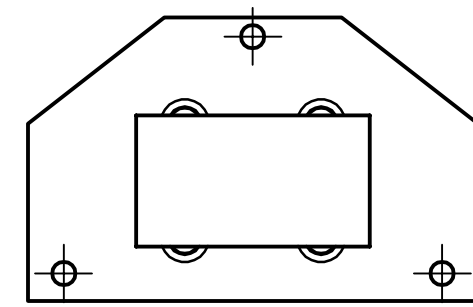
THE DESIGN AND DIMENSIONS OF THE PRODUCT SHOWN ON THIS DRAWING ARE SUBJECT TO CHANGE WITHOUT NOTICE

TITLE  
10" RECESSED POKE-THROUGH

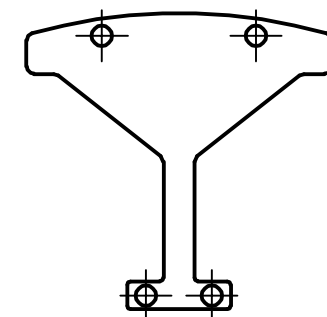
TOLERANCES UNLESS OTHERWISE SPECIFIED	WIRING DEVICE-KELLEMS HUBBELL INCORPORATED SHELTON, CT	
	.XX = ± .01 .XXX = ± .005 ANGLES = ± 2'	DR. BY
	TR. BY	SCALE
	CHK. BY	DATE



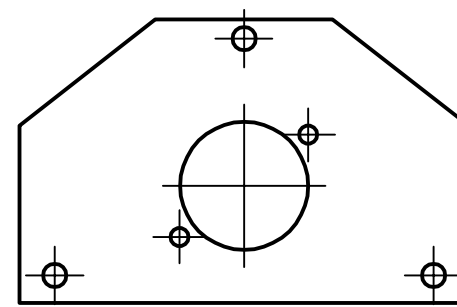
CATALOG NUMBER  
S1R10SPB  
BLANK PLATE



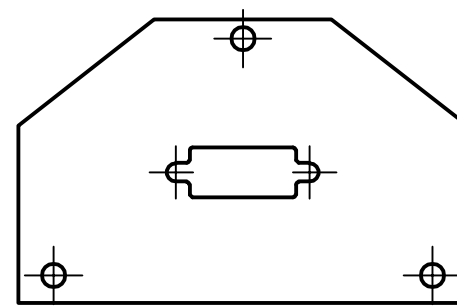
CATALOG NUMBER  
S1R10SPF  
1U iSTATION UNIT



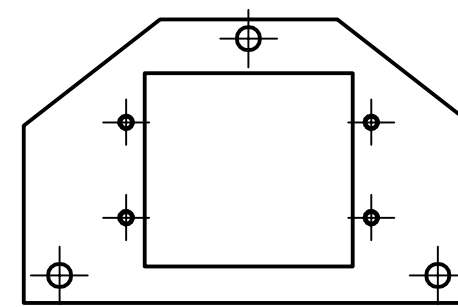
PERIMETER DEVICE BRACKET  
CAT. NO. S1R10SPREPBRKT



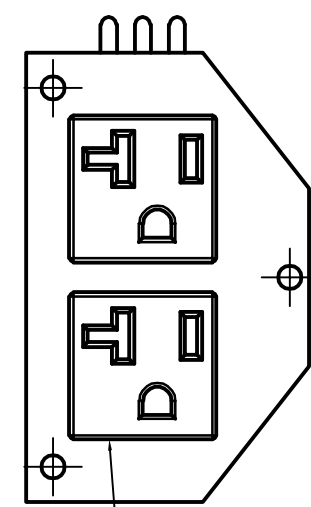
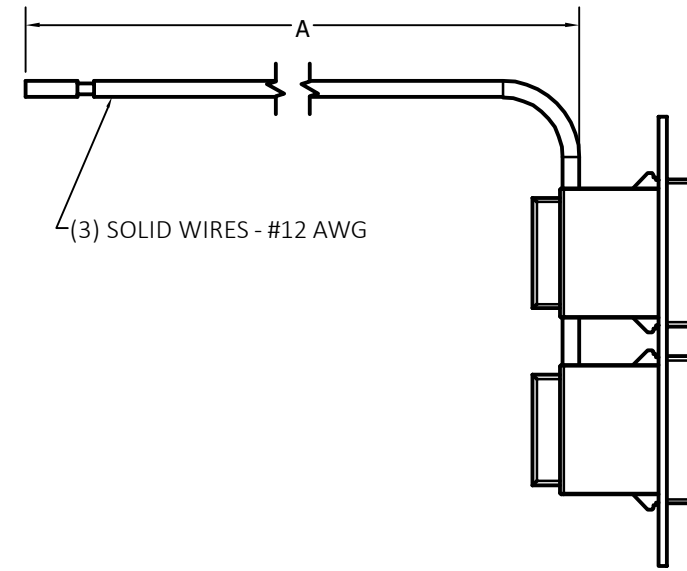
CATALOG NUMBER  
S1R10SPO  
(1) XLR OPENING



CATALOG NUMBER  
S1R10SPH  
VGA/HDMI/DP



CATALOG NUMBER  
S1R10SPV  
(2) EXTRON MAAP



S1R10PSPZ SHOWN

20A 125V  
PER NEMA 5-20R

CATALOG NO.	DIMENSION "A"	RECEPTACLE MARKING
S1R10PSPZ	24.0 IN [609,6]	-
S1R10PSPZ25	25 FT, 762 CM	-
S1R10PSPZC	24.0 IN [609,6]	CONTROLLED
S1R10PSPZ25C	25 FT, 762 CM	CONTROLLED

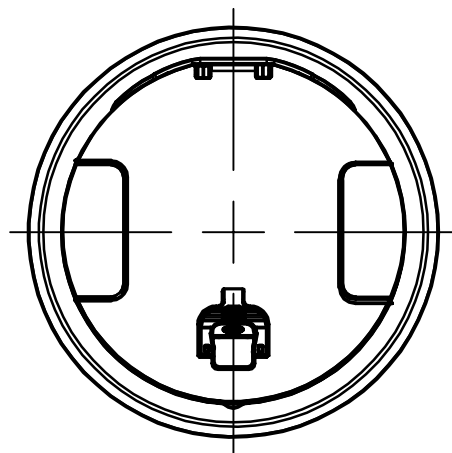
PERIMETER SUB PLATES - HALF GANG

- NOTES:
1. ALL DIMENSIONS ARE IN INCHES AND[MILLIMETERS].
  2. ALL OVERALL PLATE DIMENSIONS ARE SAME AS BLANK PLATE S1R10SPB.
  2. ALL PLATES SHIPPED WITH (3) MOUNTING SCREWS, NOT SHOWN.

THE DESIGN AND DIMENSIONS OF THE PRODUCT SHOWN ON THIS DRAWING ARE SUBJECT TO CHANGE WITHOUT NOTICE

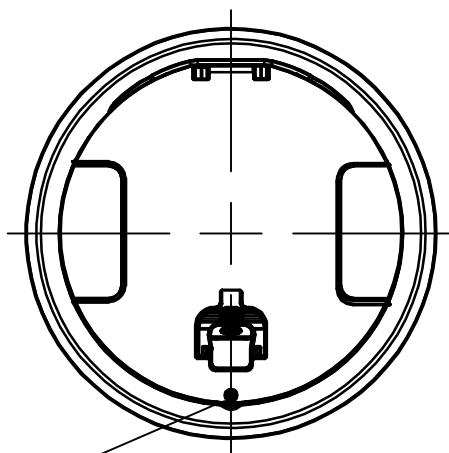
TITLE  
10" RECESSED POKE-THROUGH

TOLERANCES UNLESS OTHERWISE SPECIFIED	WIRING DEVICE-KELLEMS HUBBELL INCORPORATED SHELTON, CT	
.XX = ± .01	DR. BY	APP. BY
.XXX = ± .005	TR. BY	SCALE
ANGLES = ± 2°	CHK. BY	DATE



CATALOG NUMBER  
S1R10CVRXX

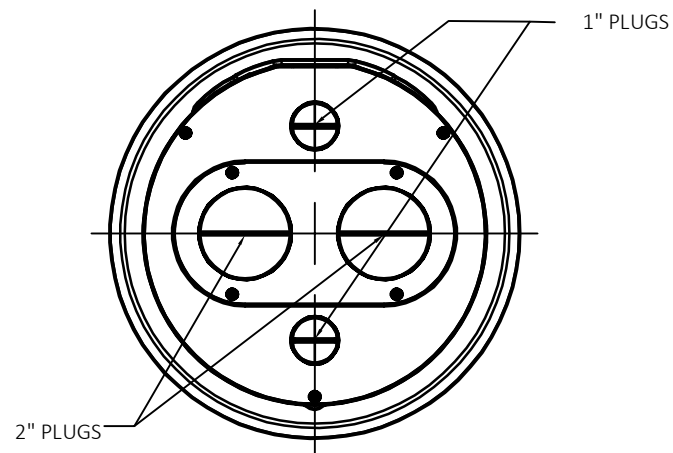
RECESSED COVERS



TR SCREW &  
WASHER

CATALOG NUMBER  
S1R10CVRTRXX

TAMPER-RESISTANT  
RECESSED COVERS



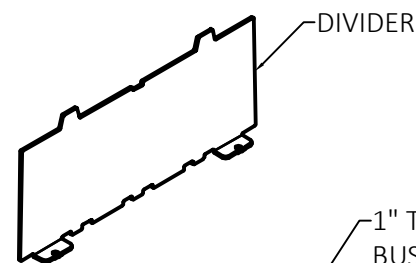
CATALOG NUMBER  
S1R10FFCVRXX

FURNITURE FEED  
RECESSED COVERS



T10 TORX  
TAMPER RESISTANT

CATALOG NUMBER  
S1RTR10BIT



1" TO 3/4"  
BUSHING

HUBBELL SYSTEMONE 10 INCH COVERS

NOTES:

1. COVER SUPPLIED WITH (2) MOUNTING SCREWS, NOT SHOWN.
2. CATALOG NUMBERS S1R10CVRTRXXX SUPPLIED WITH (1) S1RTR10BIT.
3. ALL FURNITURE FEED COVER UNITS SUPPLIED WITH (2) REDUCING BUSHING 1" TO 3/4", SHIPPED LOOSELY IN BAG.
4. ALL FURNITURE FEED COVER UNITS SUPPLIED WITH (2) DIVIDERS AND MOUNTING SCREWS. SHIPPED LOOSELY IN BAG.
5. XX INDICATES COVER FINISH OPTIONS; ALU- ALUMINUM, BLK- BLACK POWDER COAT, BRS- BRUSH BRASS PLATED, BRZ- ANTIQUE BRONZE PLATES, GRY- GRAY POWDER PAINT, NKL-SATIN NICKEL PLATED

THE DESIGN AND DIMENSIONS OF THE  
PRODUCT SHOWN ON THIS DRAWING ARE  
SUBJECT TO CHANGE WITHOUT NOTICE

TITLE

10" RECESSED POKE-THROUGH

TOLERANCES UNLESS  
OTHERWISE SPECIFIED

.XX = ± .01  
.XXX = ± .005  
ANGLES = ± 2°

WIRING DEVICE-KELLEMS  
HUBBELL INCORPORATED  
SHELTON, CT

DR. BY	APP. BY
TR. BY	SCALE
CHK. BY	DATE