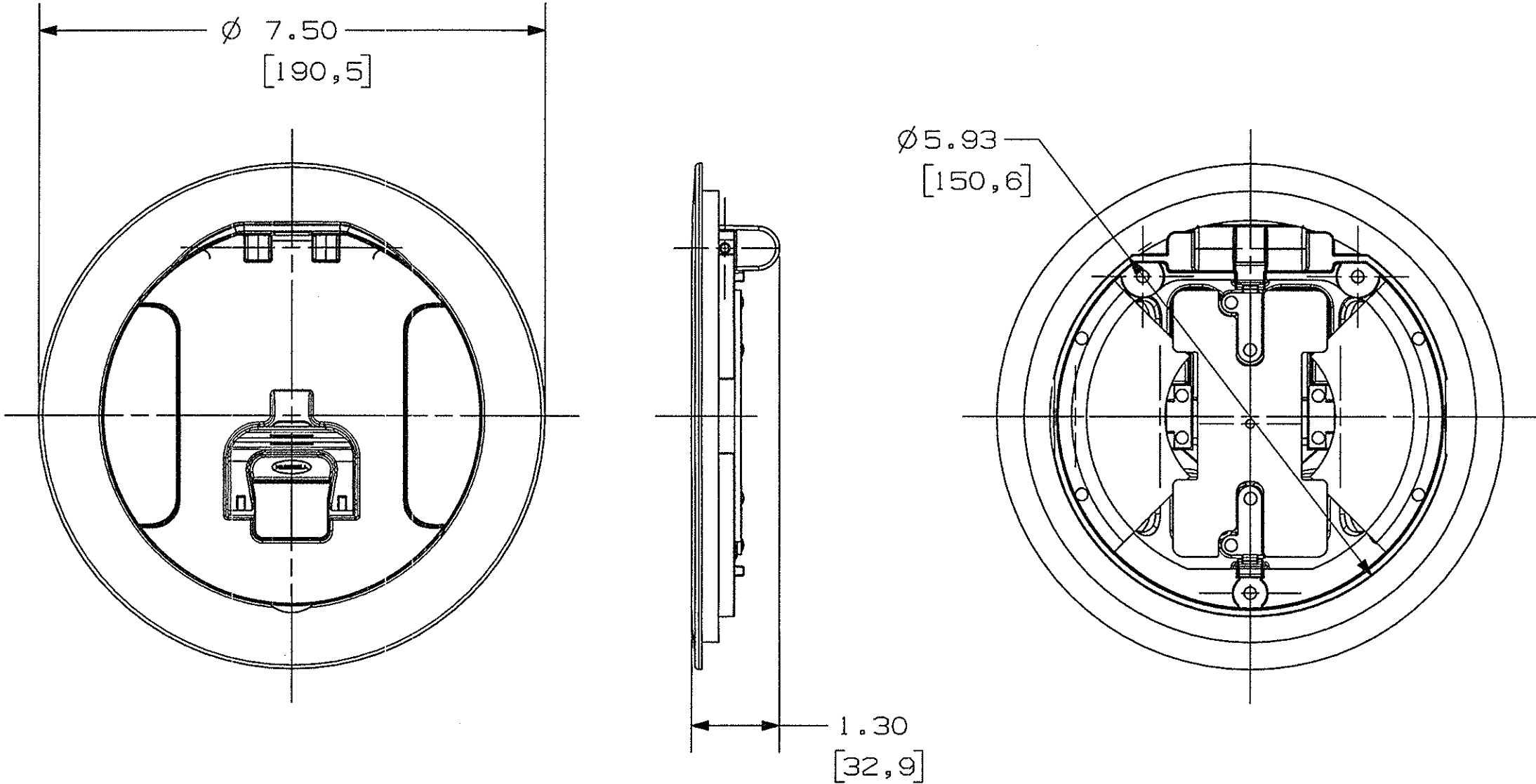


M-11913 1



CATALOG NUMBER	FINISH
S1R6CVRBLK	BLACK POWDER COAT PAINT
S1R6CVRNKL	SATIN NICKEL PLATE
S1R6CVRALU	BRUSHED ALUMINUM
S1R6CVRBRZ	BRONZE PLATED
S1R6CVRBRS	BRASS PLATED

NOTES:
 1) ALL DIMENSIONS ARE IN INCHES AND [MILLIMETERS]
 2) SUPPLIED WITH (3) MOUNTING SCREWS (NOT SHOWN).

LIST OF PARTS

DESCRIPTION	MATERIAL	FINISH
FLANGE RING	ALUMINUM	SEE TABLE
MAIN DOOR	ALUMINUM	SEE TABLE
ACCESS DOORS	ALUMINUM	SEE TABLE
HANDLE	ALUMINUM	SEE TABLE
HANDLE BEARING BLOCK	ALUMINUM	SEE TABLE
LINKS	ALUMINUM	SEE TABLE
SLIDERS	ALUMINUM	SEE TABLE
DOOR GASKETS	FOAM RUBBER	BLACK
MOUNTING SCREWS	STEEL	ZINC PLATE
DRIVE SCREWS	STEEL	ZINC PLATE
FIRE BARRIER	FIRE BAR. MATL.	NATURAL
SPRINGS	STEEL	ZINC PLATE
DOWEL PINS	STEEL	ZINC PLATE
SLIDER RETAINERS	STEEL	ZINC PLATE
RATCHET PLATES	STEEL	ZINC PLATE
RETAINER PLATES	STEEL	ZINC PLATE
WEATHERSTRIP	ALUM./NYLON	PLAIN/BLACK
CAP SCREWS	STEEL	ZINC PLATE
FIRE BARRIER COVER	STEEL	ZINC PLATE

DIMENSION SHEET FOR CAT. NO. SEE TABLE

REPAIRABLE NON-REPAIRABLE

1	RELEASED PER DCN18435	12/14/11
SYM	REVISIONS	APP DATE

THE DESIGN AND DIMENSIONS OF THE PRODUCT SHOWN ON THIS DRAWING ARE SUBJECT TO CHANGE WITHOUT NOTICE

TITLE COVER, FIRE RATED POKE THROUGH, 6 INCH DIAMETER

TOLERANCES UNLESS OTHERWISE SPECIFIED FRACTIONS ± 1/64 DECIMALS ± .005 ANGLES ± 2°	WIRING DEVICE-KELLEMS HUBBELL INCORPORATED BRIDGEPORT, CT	
	DR. BY SRE	APP. BY <i>[Signature]</i>
	TR. BY	SCALE 1:2
	CHK'D BY <i>[Signature]</i>	DATE 6/7/11

B M-11913 1