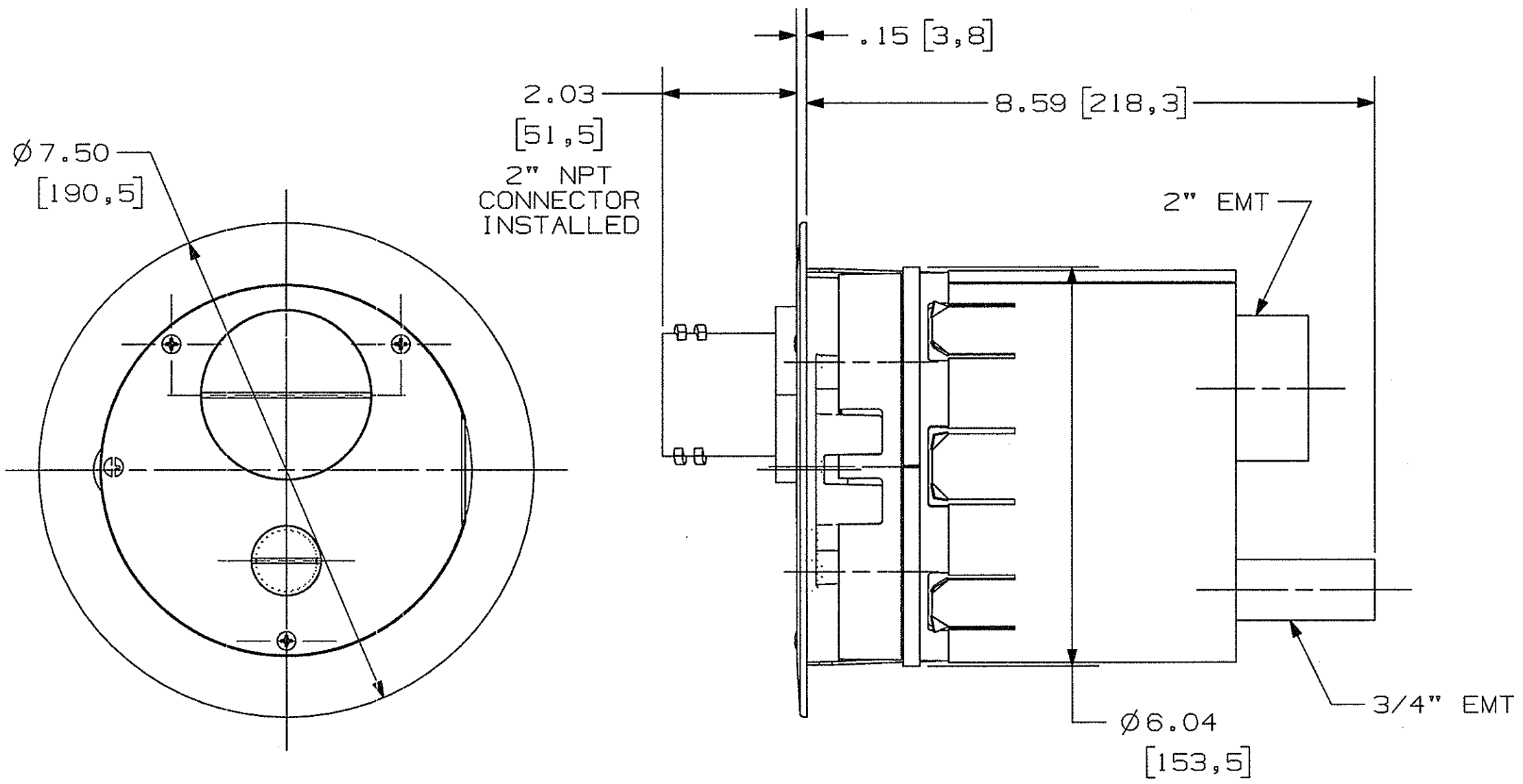


M-11925 1



CATALOG NUMBER	COVER FINISH
SIR6FFBRS	BRASS PLATED
SIR6FFALU	BRUSHED ALUMINUM
SIR6FFNKL	SATIN NICKEL PLATE
SIR6FFBRZ	BRONZE PLATED
SIR6FFBLK	BLACK POWDER COAT PAINT

- NOTES:
- 1) ALL DIMENSIONS ARE IN INCHES AND [MILLIMETERS]
 - 2) JUNCTION BOX S1FRPTJB (NOT SHOWN) IS INCLUDED WITH UNIT. SEE DWG. M11000 FOR DIMENSIONS OF JUNCTION BOX.
JUNCTION BOX SHIPPED LOOSELY WITH UNIT.
 - 3) ALL UNITS SUPPLIED WITH 3/4" & 2" NPT CONNECTORS, SHIPPED LOOSELY. FOR USE WITH NONMETALLIC LIQUIDTIGHT CONDUIT (NOT SUPPLIED).
UNIT SHIPPED WITH 3/4" & 2" NPT PLUGS INSTALLED.

CODE 74545

LIST OF PARTS

DESCRIPTION	MATERIAL	FINISH
CAN WELDMENT	STEEL	ZINC PLATE
STANDOFFS	STNLS. STEEL	NONE
MOUNTING PLATE	STEEL	ZINC PLATE
FIRE BARRIERS	FIRE BAR. MATL.	WHITE
FIRE BARRIERS	FIRE BAR. MATL.	GRAY
MOUNTING SCREWS	STEEL	ZINC PLATE
FLANGE RING	ALUMINUM	SEE TABLE
DOOR	ALUMINUM	SEE TABLE
DOOR GASKETS	FOAM RUBBER	BLACK
FIRE BARRIER COVER	STEEL	ZINC PLATE
WASHERS	FIBER	RED
3/4 CLOSURE PLUG	ZINC	SEE TABLE
2" CLOSURE PLUG	ALUMINUM	SEE TABLE
CONNECTORS	ZINC	ZINC
DIVIDER TUBE	PVC	WHITE

DIMENSION SHEET FOR CAT. NO.

SEE TABLE

REPAIRABLE

NON-REPAIRABLE

B

M-11925

1

1	RELEASED PER DCN18435	APP	1/4/12
SYM	REVISIONS	APP	DATE

THE DESIGN AND DIMENSIONS OF THE PRODUCT SHOWN ON THIS DRAWING ARE SUBJECT TO CHANGE WITHOUT NOTICE

TITLE
FIRE RATED POKE THROUGH FURNITURE FEED ASSEMBLY 6 INCH DIAMETER

TOLERANCES UNLESS OTHERWISE SPECIFIED FRACTIONS ± 1/64 DECIMALS ± .005 ANGLES ± 2°	WIRING DEVICE-KELLEMS HUBBELL INCORPORATED BRIDGEPORT, CT	
	DR. BY SRE	APP. BY [Signature]
	TR. BY	SCALE 1:2
	CHK'D BY [Signature]	DATE 1/4/12