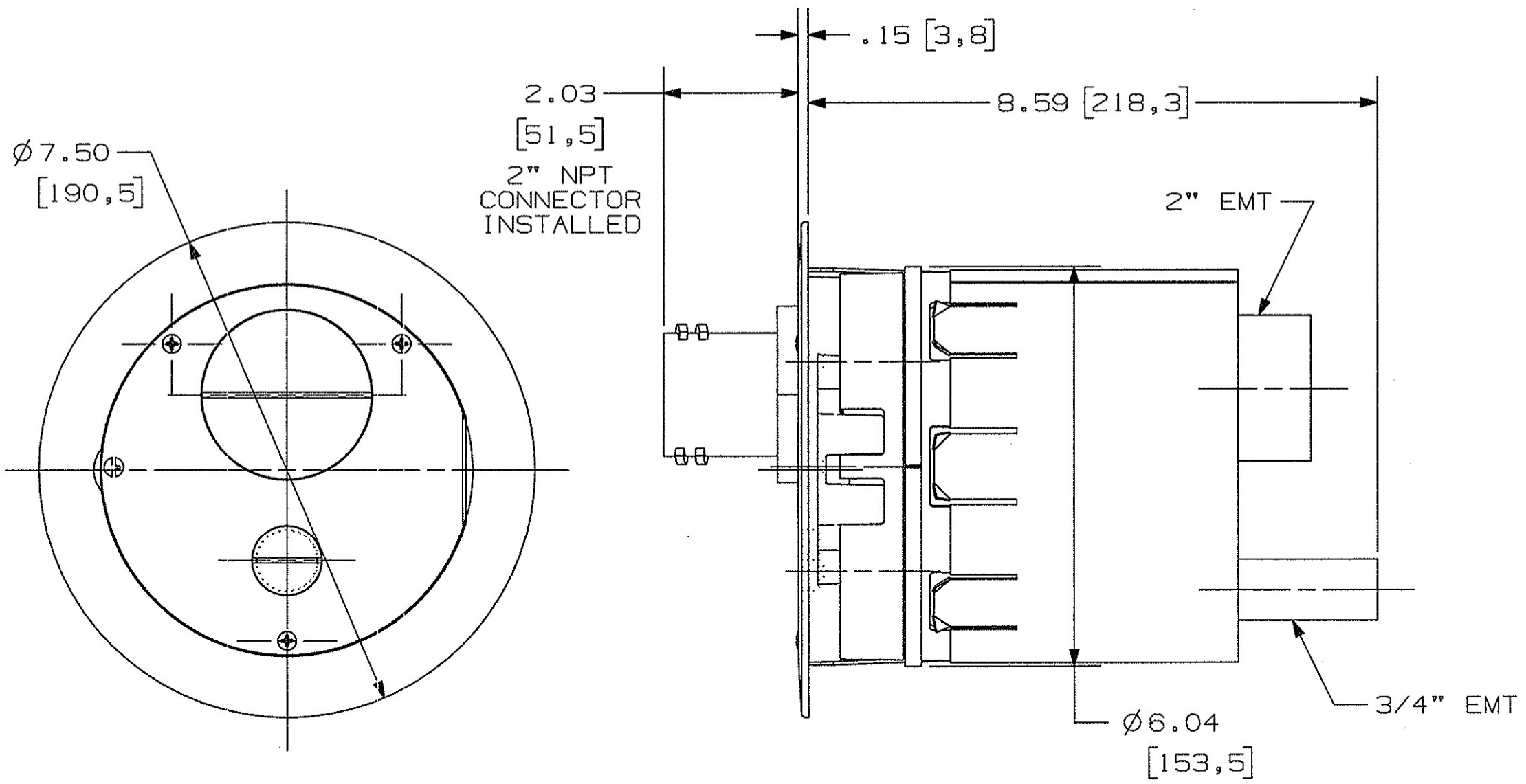


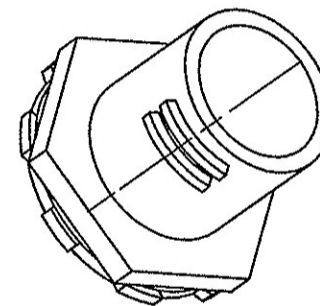
M-11925 1



CATALOG NUMBER	COVER FINISH
SIR6FFBRS	BRASS PLATED
SIR6FFALU	BRUSHED ALUMINUM
SIR6FFNKL	SATIN NICKEL PLATE
SIR6FFBRZ	BRONZE PLATED
SIR6FFBLK	BLACK POWDER COAT PAINT

NOTES:

- 1) ALL DIMENSIONS ARE IN INCHES AND [MILLIMETERS]
- 2) JUNCTION BOX S1FRPTJB (NOT SHOWN) IS INCLUDED WITH UNIT. SEE DWG. M11000 FOR DIMENSIONS OF JUNCTION BOX.
JUNCTION BOX SHIPPED LOOSELY WITH UNIT.
- 3) ALL UNITS SUPPLIED WITH 3/4" & 2" NPT CONNECTORS, SHIPPED LOOSELY. FOR USE WITH NONMETALLIC LIQUIDTIGHT CONDUIT (NOT SUPPLIED).
UNIT SHIPPED WITH 3/4" & 2" NPT PLUGS INSTALLED.



LIST OF PARTS

DESCRIPTION	MATERIAL	FINISH
CAN WELDMENT	STEEL	ZINC PLATE
STANDOFFS	STNLS. STEEL	NONE
MOUNTING PLATE	STEEL	ZINC PLATE
FIRE BARRIERS	FIRE BAR. MATL.	WHITE
FIRE BARRIERS	FIRE BAR. MATL.	GRAY
MOUNTING SCREWS	STEEL	ZINC PLATE
FLANGE RING	ALUMINUM	SEE TABLE
DOOR	ALUMINUM	SEE TABLE
DOOR GASKETS	FOAM RUBBER	BLACK
FIRE BARRIER COVER	STEEL	ZINC PLATE
WASHERS	FIBER	RED
3/4 CLOSURE PLUG	ZINC	SEE TABLE
2" CLOSURE PLUG	ALUMINUM	SEE TABLE
CONNECTORS	ZINC	ZINC
DIVIDER TUBE	PVC	WHITE

DIMENSION SHEET FOR CAT. NO.

SEE TABLE

REPAIRABLE

NON-REPAIRABLE

B

M-11925

1

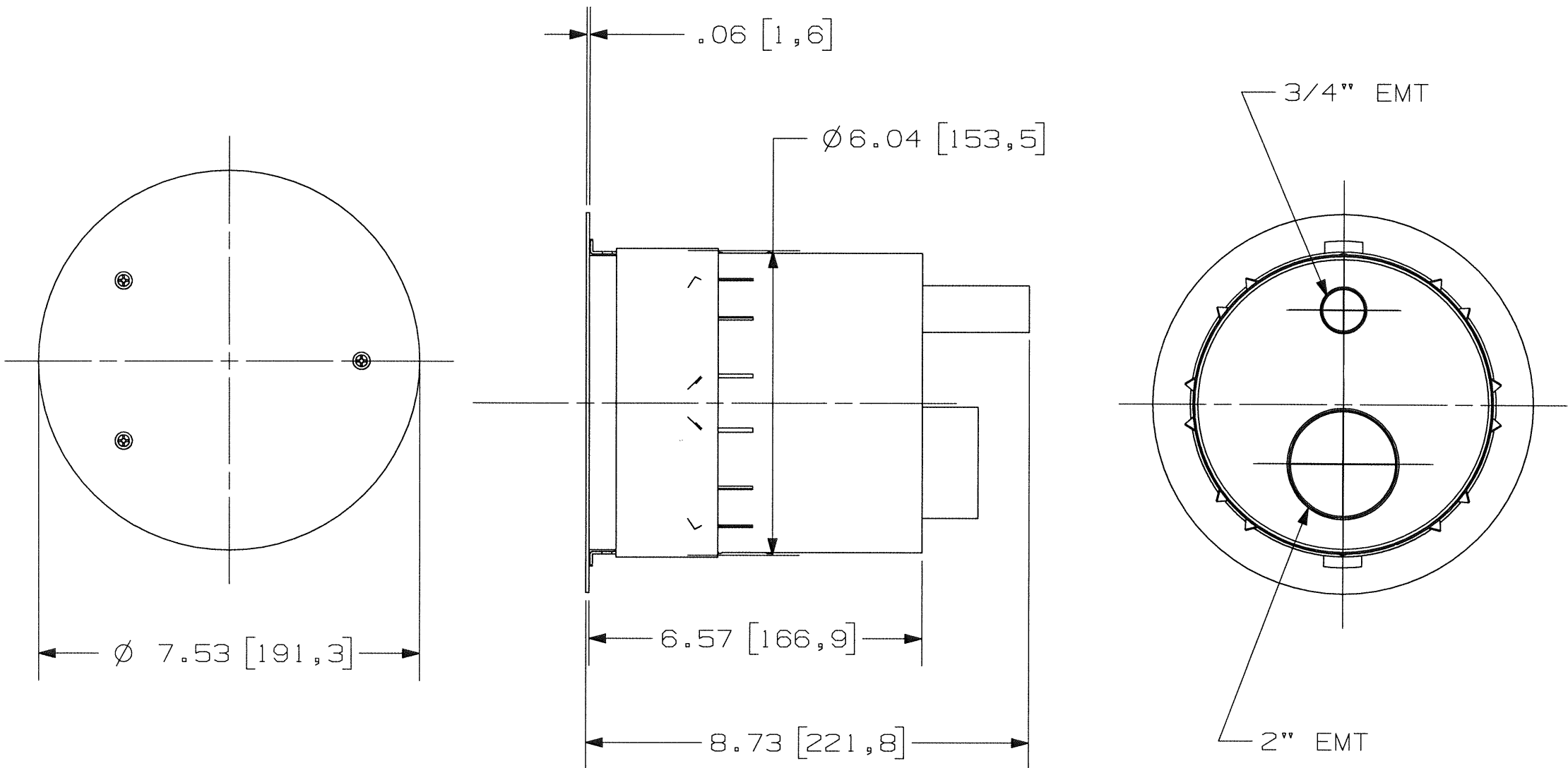
1	RELEASED PER DCN18435	APP	1/4/12
SYM	REVISIONS	APP	DATE

THE DESIGN AND DIMENSIONS OF THE PRODUCT SHOWN ON THIS DRAWING ARE SUBJECT TO CHANGE WITHOUT NOTICE

TITLE
FIRE RATED POKE THROUGH FURNITURE FEED ASSEMBLY 6 INCH DIAMETER

TOLERANCES UNLESS OTHERWISE SPECIFIED FRACTIONS ± 1/64 DECIMALS ± .005 ANGLES ± 2°	WIRING DEVICE-KELLEMS HUBBELL INCORPORATED BRIDGEPORT, CT	
	DR. BY SRE	APP. BY [Signature]
	TR. BY	SCALE 1:2
	CHK'D BY [Signature]	DATE 1/4/12

M-11920 5



NOTES:
 1) ALL DIMENSIONS ARE IN INCHES AND [MILLIMETERS]
 2) JUNCTION BOX S1FRPTJB (NOT SHOWN) IS INCLUDED WITH FLOOR FITTING CATALOG NUMBER S1R6PTFIT. SEE DWG. M-11000 FOR DIMENSIONS OF JUNCTION BOX. JUNCTION BOX SHIPPED LOOSELY WITH UNIT.

LIST OF PARTS

DESCRIPTION	MATERIAL	FINISH
CAN WELDMENT	STEEL	ZINC PLATE
INSTALLATION PLATE	STEEL	ZINC PLATE
SUB-PLATE MTG. PLATE	STEEL	WHITE PAINT
STANDOFFS	STNLS. STEEL	--
FIRE BARRIER, UPPER	FIRE BAR. MATL.	NATURAL
FIRE BARRIER, LOWER	FIRE BAR. MATL.	NATURAL
DIVIDER	STEEL	ZINC PLATE
WASHERS	FIBER	RED
MOUNTING SCREWS	STEEL	ZINC PLATE
SPACER	FIRE BAR. MATL.	BLACK
TAPE	PLASTIC	YELL./BLK

NO.	DESCRIPTION	APP.	DATE
5	ADDED SHEET 2 PER DCN23387	AD	10/18/17
4	IN PARTS LIST- FOR STANDOFF "FINISH" -- WAS ZINC PLATE PER DCN 21112. MYA	PJB	4/8/15
3	UPDATED IMAGES PER DCN20245		12/13/13
2	UPDATED IMAGES, 8.73 WAS 8.71 6.48 WAS 6.45 DCN18755		4/13/12
1	RELEASED PER DCN18435		12/14/11

SYM	REVISIONS	APP	DATE

THE DESIGN AND DIMENSIONS OF THE PRODUCT SHOWN ON THIS DRAWING ARE SUBJECT TO CHANGE WITHOUT NOTICE

TITLE
 SERVICE FITTING,
 FIRE RATED POKE THROUGH,
 6 INCH DIAMETER

TOLERANCES UNLESS OTHERWISE SPECIFIED .XX = ± .01 .XXX = ± .005 ANGLES = ± 2°	WIRING DEVICE-KELLEMS HUBBELL INCORPORATED SHELTON, CT	
	DR. BY SRE	APP. BY
	TR. BY	SCALE 1:2
	CHK. BY	DATE 6/9/11

DIMENSION SHEET FOR CAT. NO. S1R6PTFIT

REPAIRABLE

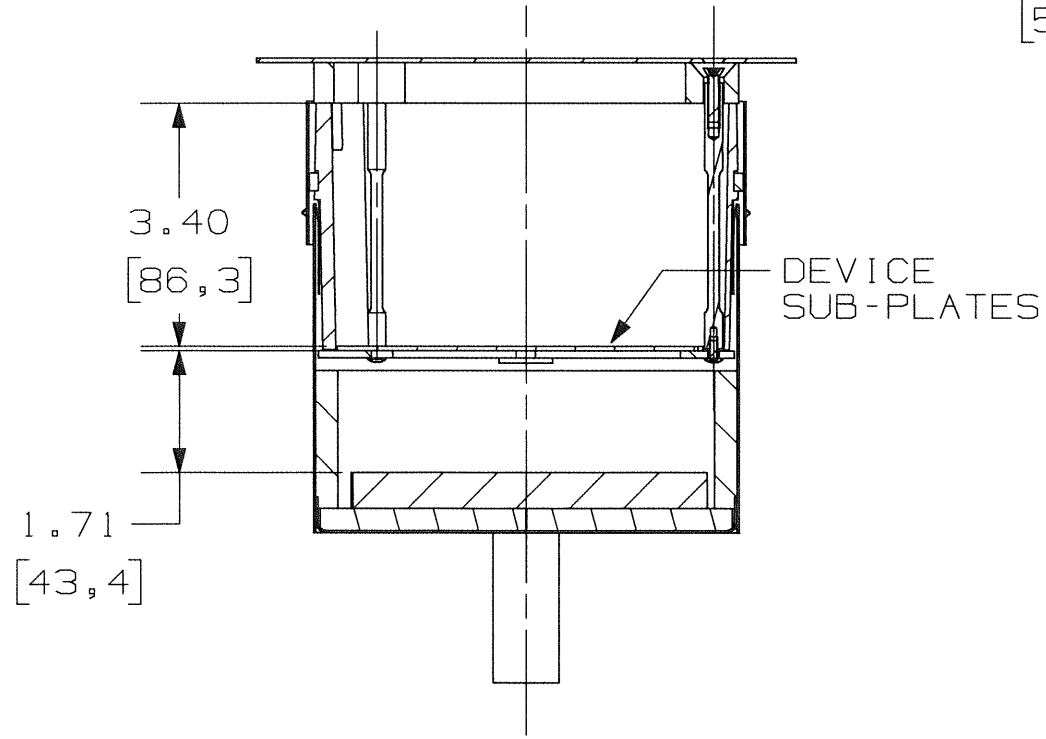
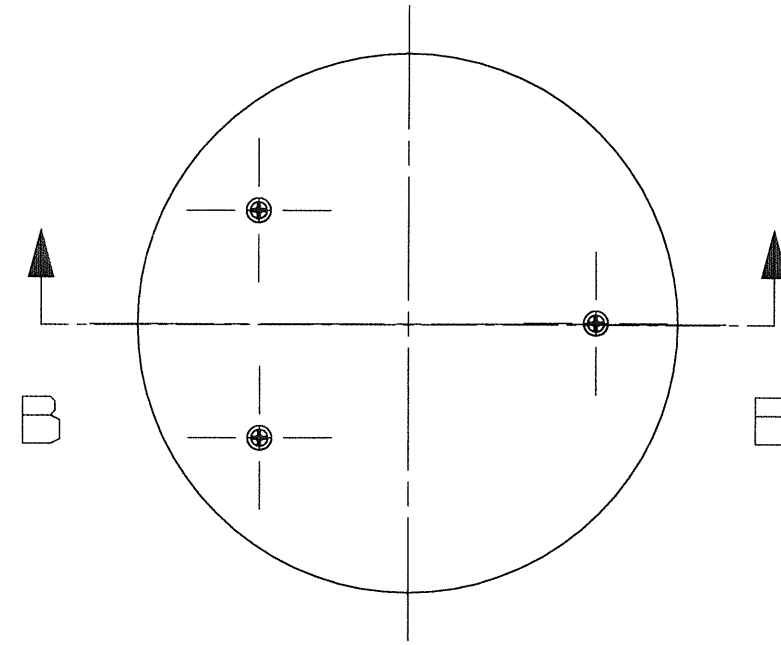
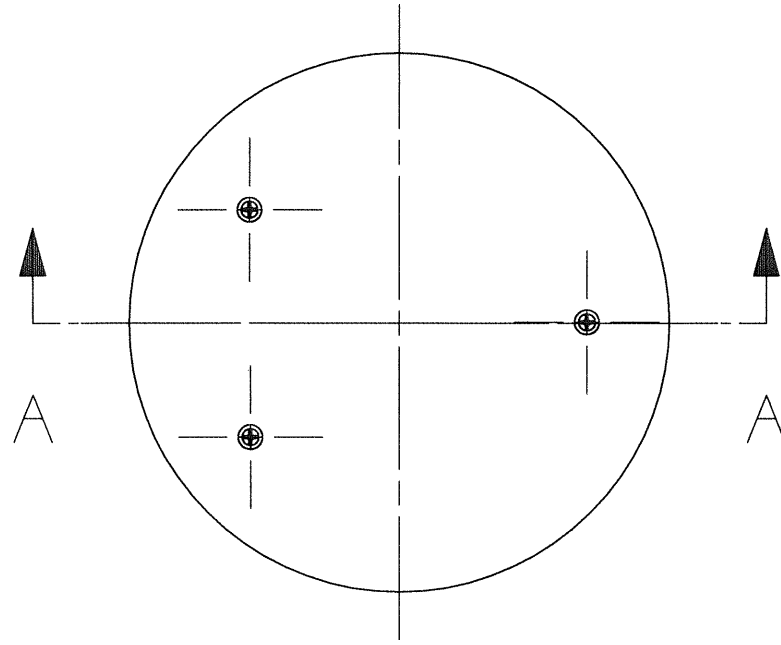
NON-REPAIRABLE

B

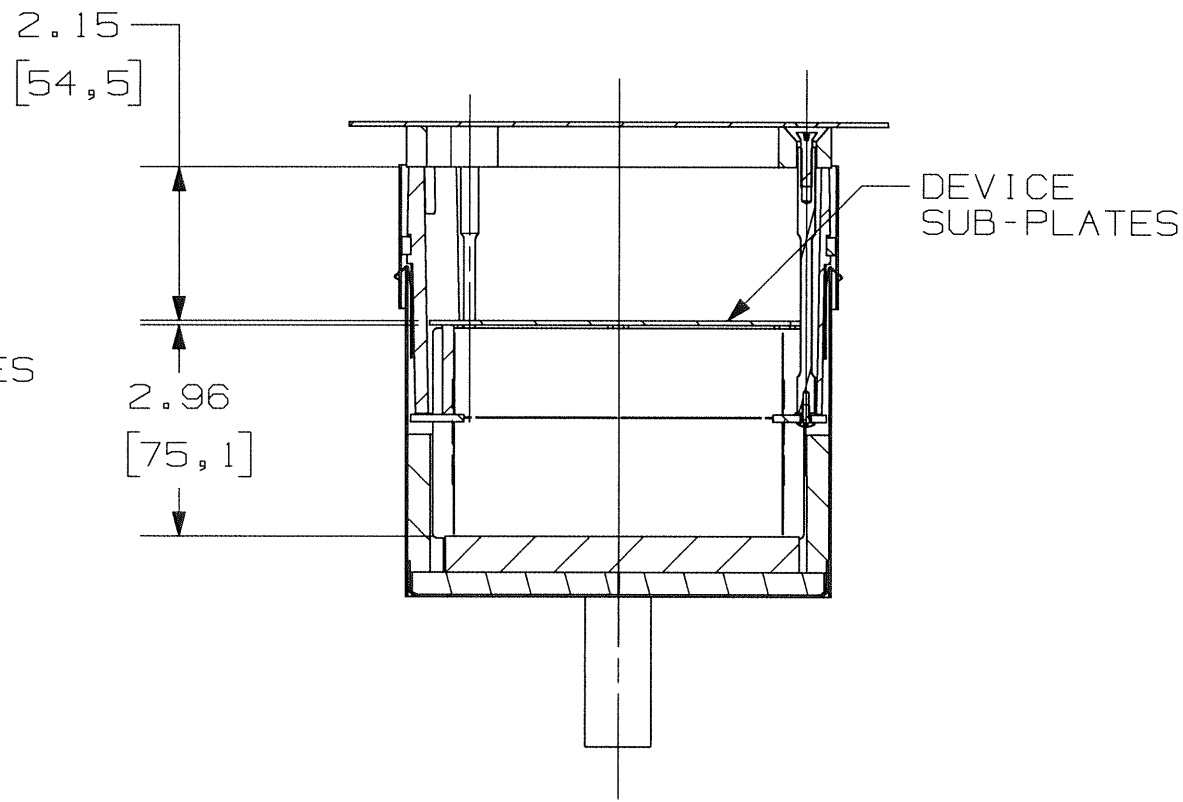
M-11920

5

M-11920 5



SECTION A-A



SECTION B-B

INCLUDES SIR6SPEXT EXTENSION KIT

LIST OF PARTS

DESCRIPTION	MATERIAL	FINISH

DIMENSION SHEET FOR CAT. NO. SIR6SPTFIT

REPAIRABLE NON-REPAIRABLE

5	ADDED THIS SHEET PER DCN23387	AD	10/18/17
SYM	REVISIONS	APP	DATE

THE DESIGN AND DIMENSIONS OF THE PRODUCT SHOWN ON THIS DRAWING ARE SUBJECT TO CHANGE WITHOUT NOTICE

TITLE
SERVICE FITTING,
FIRE RATED POKE THROUGH,
6 INCH DIAMETER

TOLERANCES UNLESS OTHERWISE SPECIFIED

.XX = ± .01
.XXX = ± .005
ANGLES = ± 2°

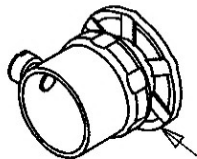
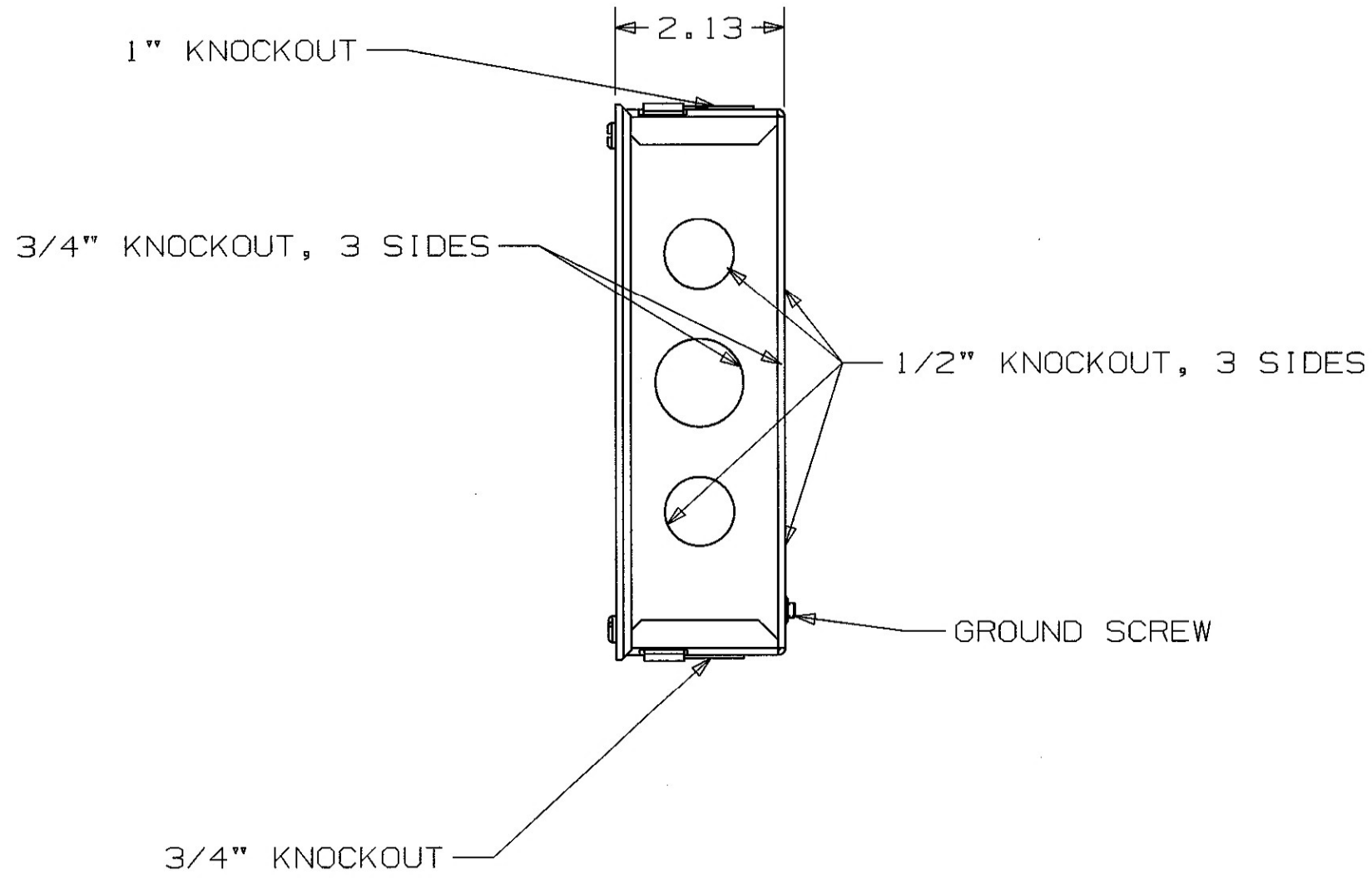
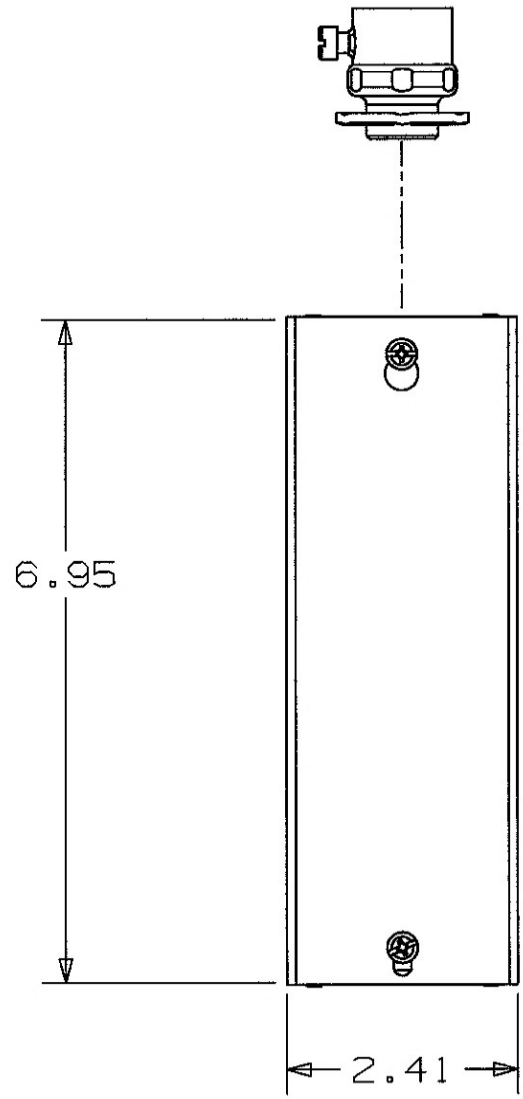
WIRING DEVICE-KELLEMS HUBBELL INCORPORATED SHELTON, CT

DR. BY	AD	APP. BY	
TR. BY		SCALE	1:2
CHK. BY		DATE	6/9/11

M-11920

5

M-11000 2



(1) 3/4" AND (1) 1" CONDUIT SUPPLIED LOOSE INSIDE JUNCTION BOX

- NOTES:
 1. BOX VOLUME: 27 IN³ / 442 CM³
 2. PART IS UL/CUL LISTED

CODE 74545

LIST OF PARTS

DESCRIPTION	MATERIAL	FINISH
JUNCTION BOX COVER	STEEL	GALVANIZE
JUNCTION BOX	STEEL	GALVANIZE
#8 PAN HEAD SCREW	STEEL	ZINC
#10 GROUND SCREW	STEEL	GREEN FINISH
1" CONDUIT ADAPTOR	STEEL	ZINC
3/4" CONDUIT ADAPTOR	STEEL	ZINC

DIMENSION SHEET FOR CAT. NO.

SIFRPT JB

REPAIRABLE

NON-REPAIRABLE

B

M-11000

2

2	UPDATED KNOCKOUT DETAILS PER DCN 14930	SM	6/26/08
1	RELEASED PER DCN 14521		3/26/08
SYM	REVISIONS	APP	DATE

THE DESIGN AND DIMENSIONS OF THE PRODUCT SHOWN ON THIS DRAWING ARE SUBJECT TO CHANGE WITHOUT NOTICE

TITLE JUNCTION BOX ASSY SYSTEM ONE

TOLERANCES UNLESS OTHERWISE SPECIFIED FRACTIONS ±1/64 DECIMALS ±.005 ANGLES ±2°	WIRING DEVICE-KELLEMS HUBBELL INCORPORATED BRIDGEPORT, CT	
	DR. BY MSS	APP. BY SM
	TR. BY	SCALE 1:1
	CHK'D BY	DATE 3/26/08