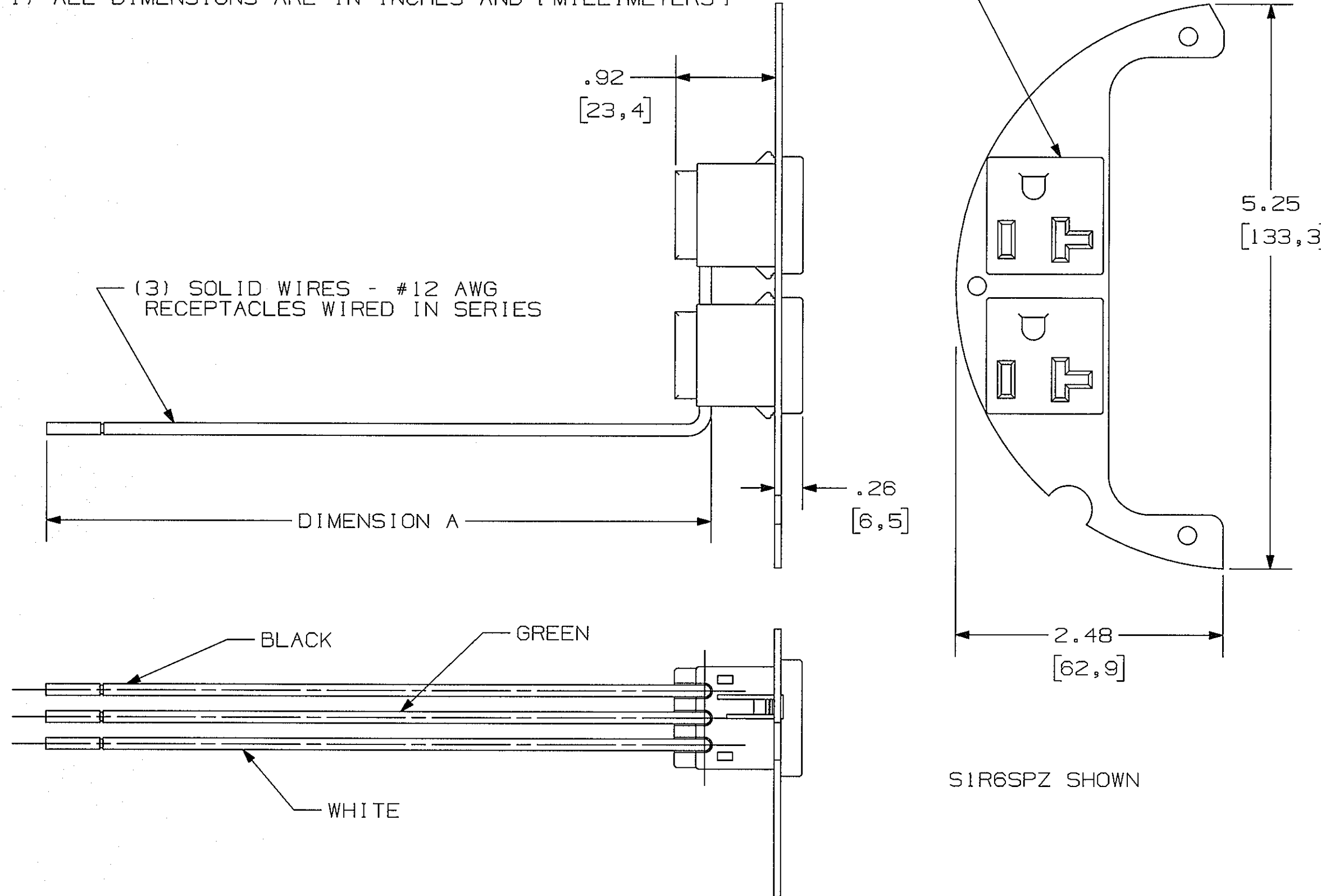


**M-12043** 3

NOTES:  
UNLESS OTHERWISE SPECIFIED,  
1) ALL DIMENSIONS ARE IN INCHES AND [MILLIMETERS]



SIR6SPZ SHOWN

LIST OF PARTS		
DESCRIPTION	MATERIAL	FINISH
COVER PLATE	STEEL	WHITE
RECEPTACLES	----	BLACK
SOLID WIRE	COPPER	SEE DWG.
MOUNTING SCREWS	STEEL	WHITE

SYMBOL	REVISIONS	APP	DATE
3	ADDED RECEPTACLE MARKING COLUMN TO TABLE, ADDED BASE CAT. NUMBER SHOWN PER DCN 21844. MYA	DJP	3/16/16
2	IN TITLE 40% WAS 60% DCN18952 SRE	SM	7/16/12
1	RELEASED PER DCN18435		1/4/12

SYMBOL	REVISIONS	APP	DATE
3	ADDED RECEPTACLE MARKING COLUMN TO TABLE, ADDED BASE CAT. NUMBER SHOWN PER DCN 21844. MYA	DJP	3/16/16
2	IN TITLE 40% WAS 60% DCN18952 SRE	SM	7/16/12
1	RELEASED PER DCN18435		1/4/12

THE DESIGN AND DIMENSIONS OF THE PRODUCT SHOWN ON THIS DRAWING ARE SUBJECT TO CHANGE WITHOUT NOTICE

TITLE  
POWER PLATE,  
RIGHT, 40%,  
6 INCH FRPT

TOLERANCES UNLESS OTHERWISE SPECIFIED .XX = ±.01 .XXX = ±.005 ANGLES = ±2°	WIRING DEVICE-KELLEMS HUBBELL INCORPORATED SHELTON, CT
DR. BY SRE	APP. BY SM
TR. BY	SCALE 1:2
CHK. BY SM	DATE 1/4/12

CODE 74545

CATALOG NO.	DIMENSION A	RECEPTACLE MARKING
SIR6SPZ	18.0 [ 457,2 ]	-
SIR6SPZ25	25 FEET, 762 CM	-
SIR6SPZC	18.0 [ 457,2 ]	CONTROLLED

DIMENSION SHEET FOR CAT. NO. M-12043  
 REPAIRABLE  NON-REPAIRABLE