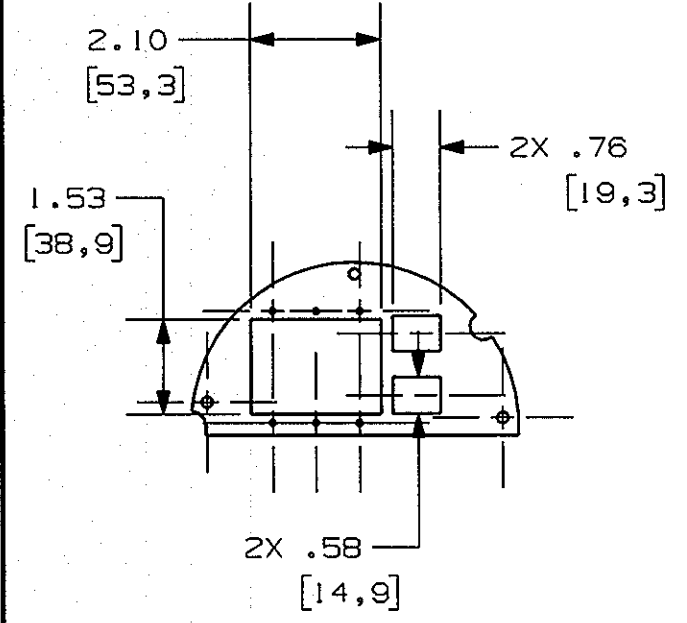
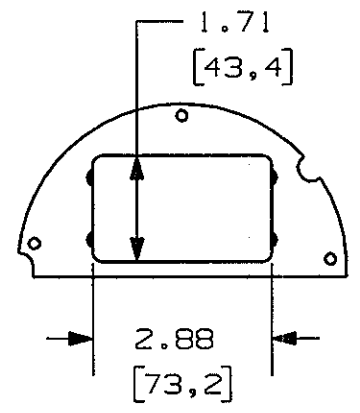


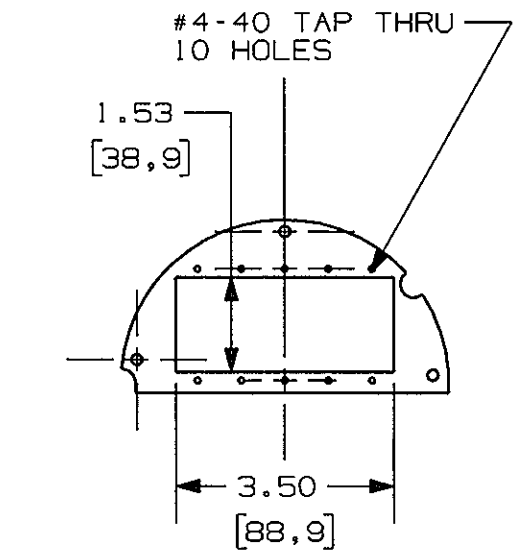
M-11916 4



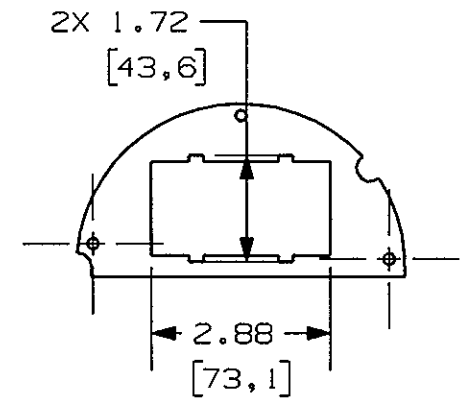
CATALOG NO. SIR6SPL



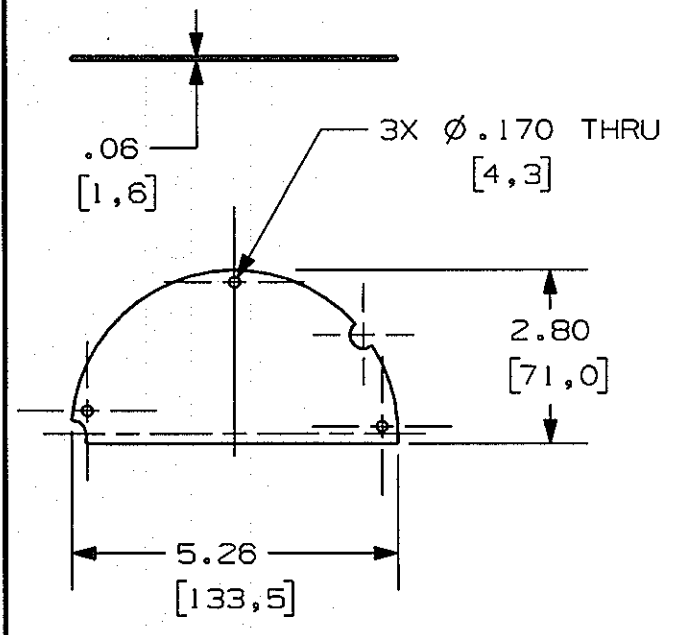
CATALOG NO. SIR6SPD



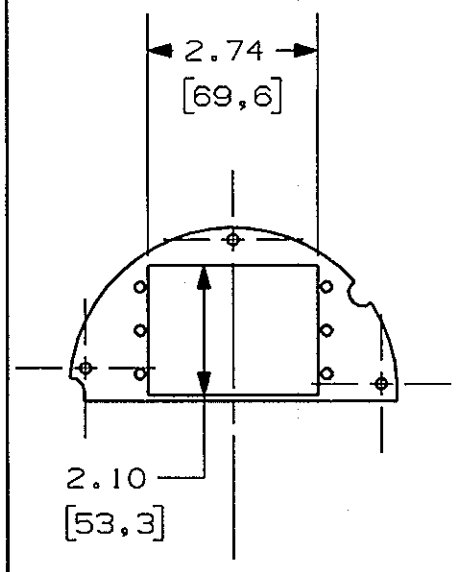
CATALOG NO. SIR6SPC



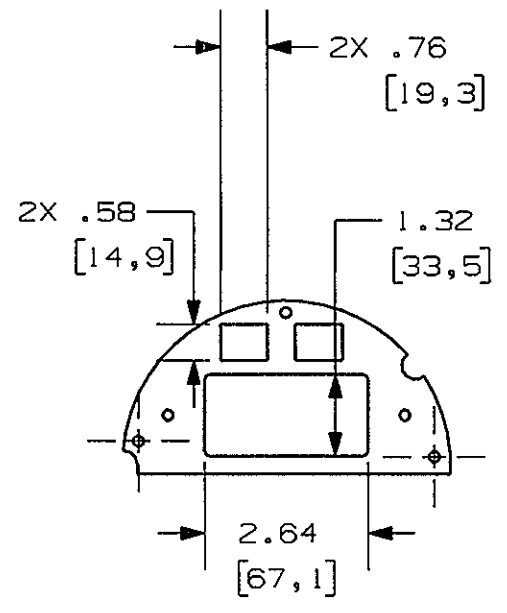
CATALOG NO. SIR6SPF



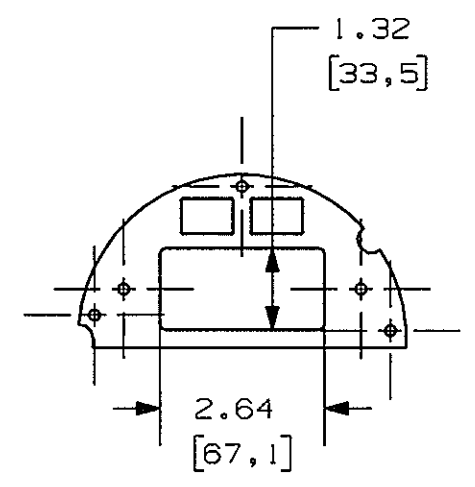
CATALOG NO. SIR6SPB



CATALOG NO. SIR6SPA



CATALOG NO. SIR6SPE



CATALOG NO. SIR6SPM

LIST OF PARTS		
DESCRIPTION	MATERIAL	FINISH
COVER PLATE	STEEL	WHITE
SCREWS	STEEL	WHITE

DIMENSION SHEET FOR CAT. NO. M-11916
 REPAIRABLE NON-REPAIRABLE SEE DETAILS

SYM	REVISIONS	APP	DATE
4	ADDED SHEET 1 OF 2 TO THIS SHEET. DCN22105	EM	5/18/16
3	REVISED VIEW OF CAT. SIR6SPD. PER DCN 21638 SPN	DJP	9/10/15
2	ADDED SIR6SPM DCN18607		1/25/12
1	RELEASED PER DCN18435		1/3/12

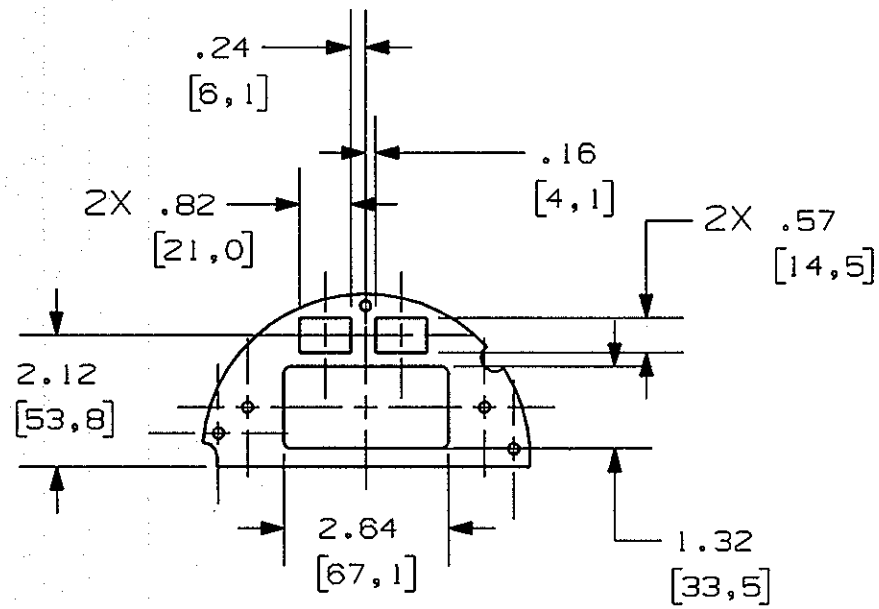
THE DESIGN AND DIMENSIONS OF THE PRODUCT SHOWN ON THIS DRAWING ARE SUBJECT TO CHANGE WITHOUT NOTICE

TITLE
COVER PLATE, LEFT, 50%, 6 IN. FRPT

TOLERANCES UNLESS OTHERWISE SPECIFIED .XX : ±.01 .XXX : ±.005 ANGLES : ±2°	WIRING DEVICE-KELLEMS HUBBELL INCORPORATED SHELTON, CT	
	DR. BY SRE	APP. BY
	TR. BY	SCALE NONE
	CHK. BY	DATE 1/3/12

- NOTES:
- 1) ALL PLATES HAVE THE SAME OVERALL OUTSIDE DIMENSIONS AND THICKNESS, SEE CATALOG NO. SIR6SPB.
 - 2) ALL PLATES SHIPPED WITH (3) MOUNTING SCREWS, NOT SHOWN. 6-32 X 1/4 ZINC PLATED.
 - 3) ALL DIMENSIONS ARE IN INCHES AND (MILLIMETERS)

M-11916 4



CATALOG NO. SIR6SPN

LIST OF PARTS

DESCRIPTION	MATERIAL	FINISH
COVER PLATE	STEEL	WHITE
SCREWS	STEEL	WHITE

DIMENSION SHEET FOR CAT. NO. SEE DETAILS REPAIRABLE NON-REPAIRABLE B M-11916 4

4	ADDED SHEET 2 OF 2, CATALOG NO. SIR6SPN TO THIS SHEET. DCN22105	EM	5/18/16
3	REVISED VIEW OF CAT. SIR6SPD. PER DCN 21638 SPN	DJP	9/10/15
2	ADDED SIR6SPM DCN18607		1/25/12
1	RELEASED PER DCN18435		1/3/12
SYM	REVISIONS	APP	DATE

THE DESIGN AND DIMENSIONS OF THE PRODUCT SHOWN ON THIS DRAWING ARE SUBJECT TO CHANGE WITHOUT NOTICE

TITLE
COVER PLATE, LEFT, 50%, 6 IN. FRPT

TOLERANCES UNLESS OTHERWISE SPECIFIED .XX : ±.01 .XXX : ±.005 ANGLES : ±2°	WIRING DEVICE-KELLEMS HUBBELL INCORPORATED SHELTON, CT	
	DR. BY SRE	APP. BY
	TR. BY	SCALE NONE
	CHK. BY	DATE 1/3/12