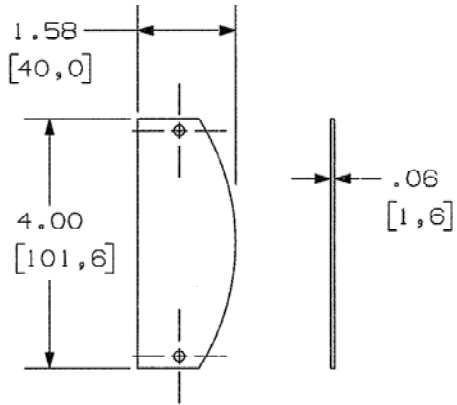
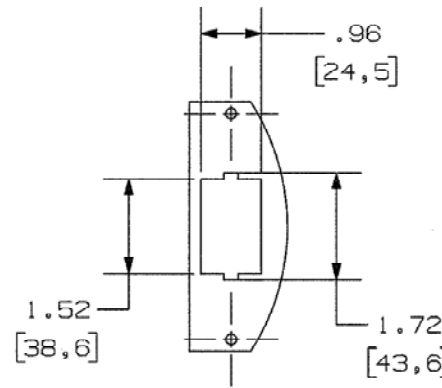


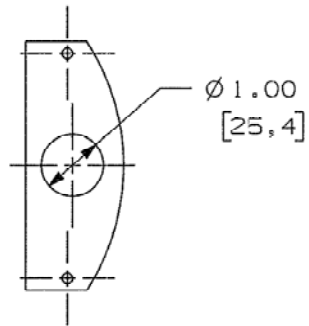
M-11918 | 1



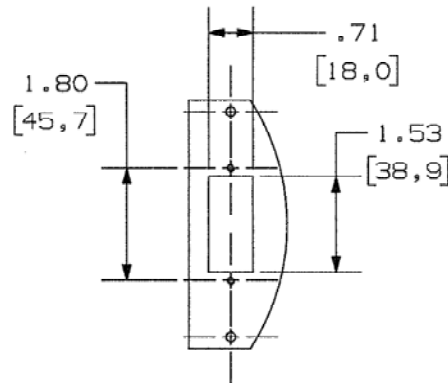
CATALOG NUMBER
SIR8PSPU
BLANK PLATE



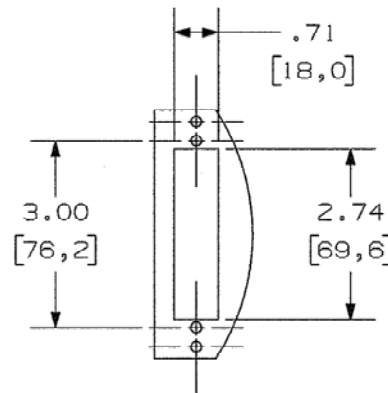
CATALOG NUMBER
SIR8PSPY
1U I STATION UNIT



CATALOG NUMBER SIR8PSPW
WITH 1.0 DIA HOLE
FOR SUPPLIED NYLON GROMMET,
NOT SHOWN.
GROMMET I.D. = ϕ .81 [20,6]



CATALOG NUMBER
SIR8PSPV
(1) EXTRON MAAP



CATALOG NUMBER
SIR8PSPX
(1) EXTRON AAP

LIST OF PARTS

DESCRIPTION	MATERIAL	FINISH
COVER PLATE	STEEL	WHITE
MOUNTING SCREWS	STEEL	WHITE

1	RELEASED PER DCN18435	12/14/11
SYM	REVISIONS	APP DATE

THE DESIGN AND DIMENSIONS OF THE PRODUCT SHOWN ON THIS DRAWING ARE SUBJECT TO CHANGE WITHOUT NOTICE

TITLE
COVER PLATES, PERIMETER,
FIRE RATED POKE THROUGH,
8 INCH DIAMETER

TOLERANCES UNLESS OTHERWISE SPECIFIED	WIRING DEVICE-KELLEMS HUBBELL INCORPORATED BRIDGEPORT, CT	
FRACTIONS ± 1/64	DR. BY SRE	APP. BY [Signature]
DECIMALS ± .005	TR. BY	SCALE 1:2
ANGLES ± 2'	CHK'D BY [Signature]	DATE 6/15/11

NOTES:
1) ALL DIMENSIONS ARE IN INCHES AND (MILLIMETERS)
2) ALL OVERALL PLATE DIMENSIONS ARE SAME AS BLANK PLATE SIR8PSPU.
3) ALL PLATES SHIPPED WITH MOUNTING SCREWS, NOT SHOWN.

DIMENSION SHEET FOR CAT. NO. M-11918
 SEE INDIVIDUAL CAT NOS. REPAIRABLE NON-REPAIRABLE
 B
 M-11918
 1