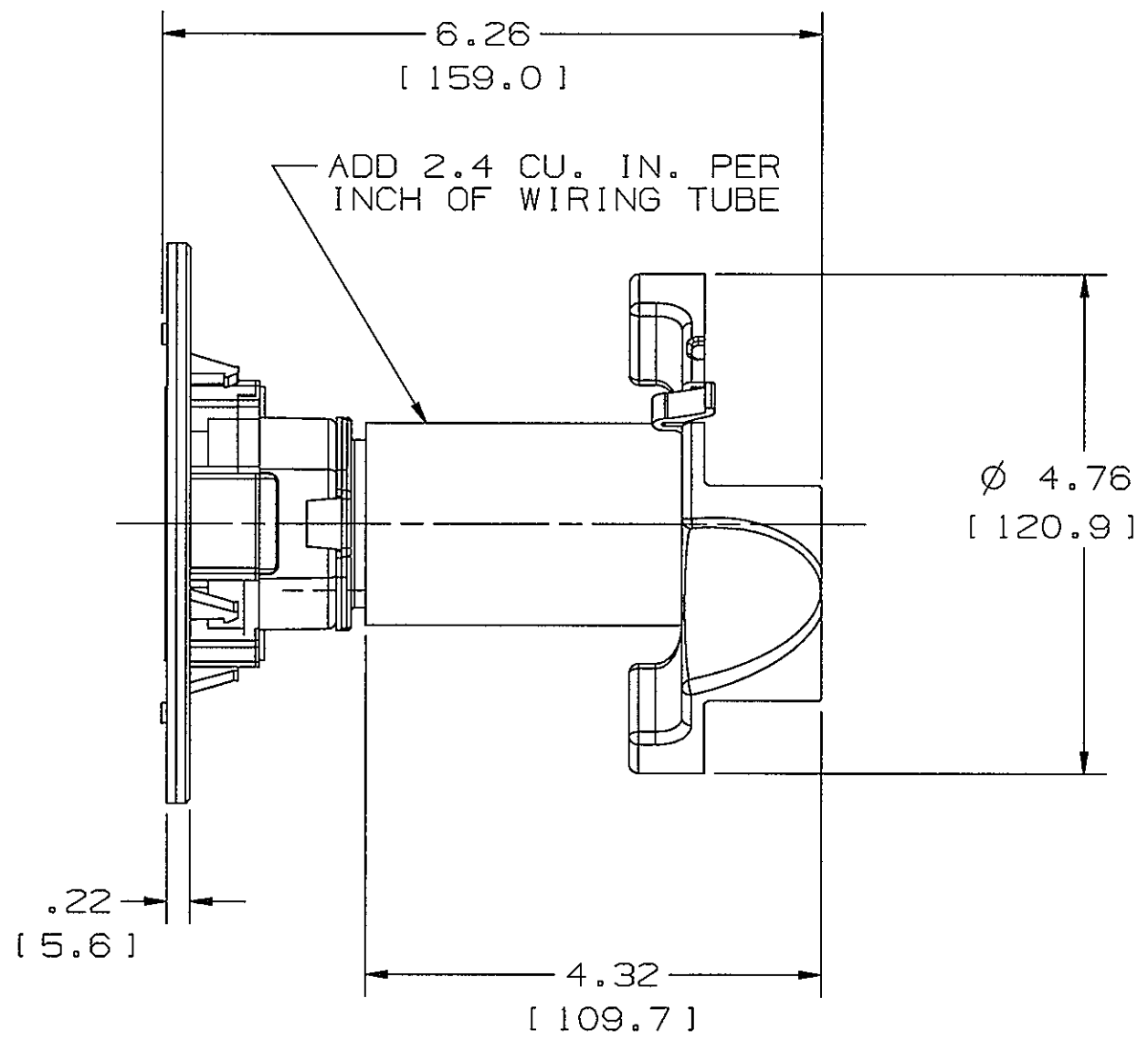
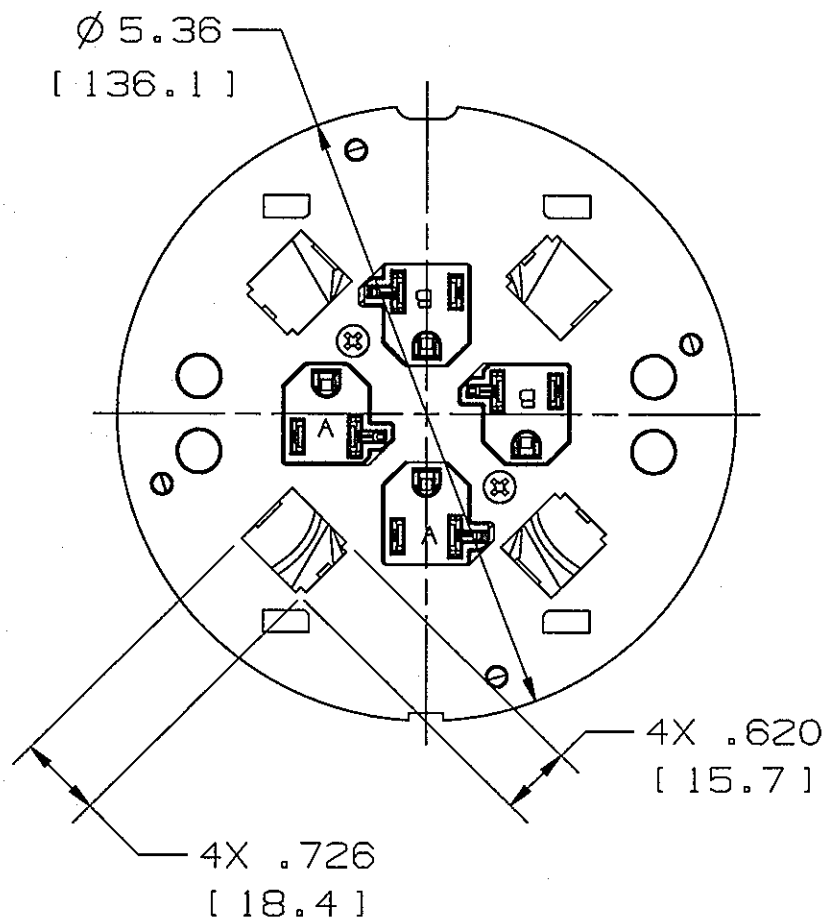


NOTES

- 1 SEE INSTALLATION INSTRUCTIONS FOR PLACEMENT OF CONTROLLED LABELS.
2. RECEPTACLE PRE-WIRED WITH (6) #14 AWG 24" LONG WIRES
3. DIMENSIONS IN INCHES [MM].



S1SP4X4PA SHOWN

LIST OF PARTS		
DESCRIPTION	MATERIAL	FINISH
(2) SCREW #6-32	STN. STL.	
SUB PLATE 4X4 PANDUIT	CAST ALUM.	BLACK
RECEPTACLE ASM.		
INSULATOR, FIRE BARR.	FB 525	GRAY
INSULATOR, VOLTAGE	THERMOPLASTIC	GRAY
WIRING ENCLOSURE	THERMOPLASTIC	GRAY
INSULATOR	THERMOSET	BLACK
INSULATOR PLATE	GALV. CRS	
(6) I.G. STICKER	POLYESTER	WHITE

REV	DESCRIPTION	APP	DATE
4	ADDED TABLE, ADDED BASE CAT NO. SHOWN, ADDED NOTES 1 THRU 3 PER DCN 21884. MYA	DJP	3/17/16
3	ADDED (6) I.G. STICKER PER DCN 13943 SPN	CAC	5/18/07
2	ADDED 4X .725 [18.4], 4X .620 [15.7], ADD 2.4 CU. IN. PER INCH NOTE, RECEPTACLE PREWIRED NOTE & REVISED TITLE BLOCK FOR SYSTEM ONE PER DCN 12261 TLS	TLS	3-5-08
1	DCN11999 INITIAL RELEASE	TLS	11-8-04

SYM	REVISIONS	APP	DATE

THE DESIGN AND DIMENSIONS OF THE PRODUCT SHOWN ON THIS DRAWING ARE SUBJECT TO CHANGE WITHOUT NOTICE

TITLE  
SYSTEM ONE  
SUB PLATE ASSEMBLY  
4X4 PANDUIT (MINICOM)

TOLERANCES UNLESS OTHERWISE SPECIFIED .XX = ±.01 .XXX = ±.005 ANGLES = ±2°	WIRING DEVICE-KELLEMS HUBBELL INCORPORATED SHELTON, CT	
	DR. BY PAC	APP. BY TLS
	TR. BY	SCALE NONE
	CHK. BY TLS	DATE 9-21-04

CATALOG NO.	RECEPTACLE MARKING
S1SP4X4PA	-
S1SP4X4PAC	CONTROLLED STICKER