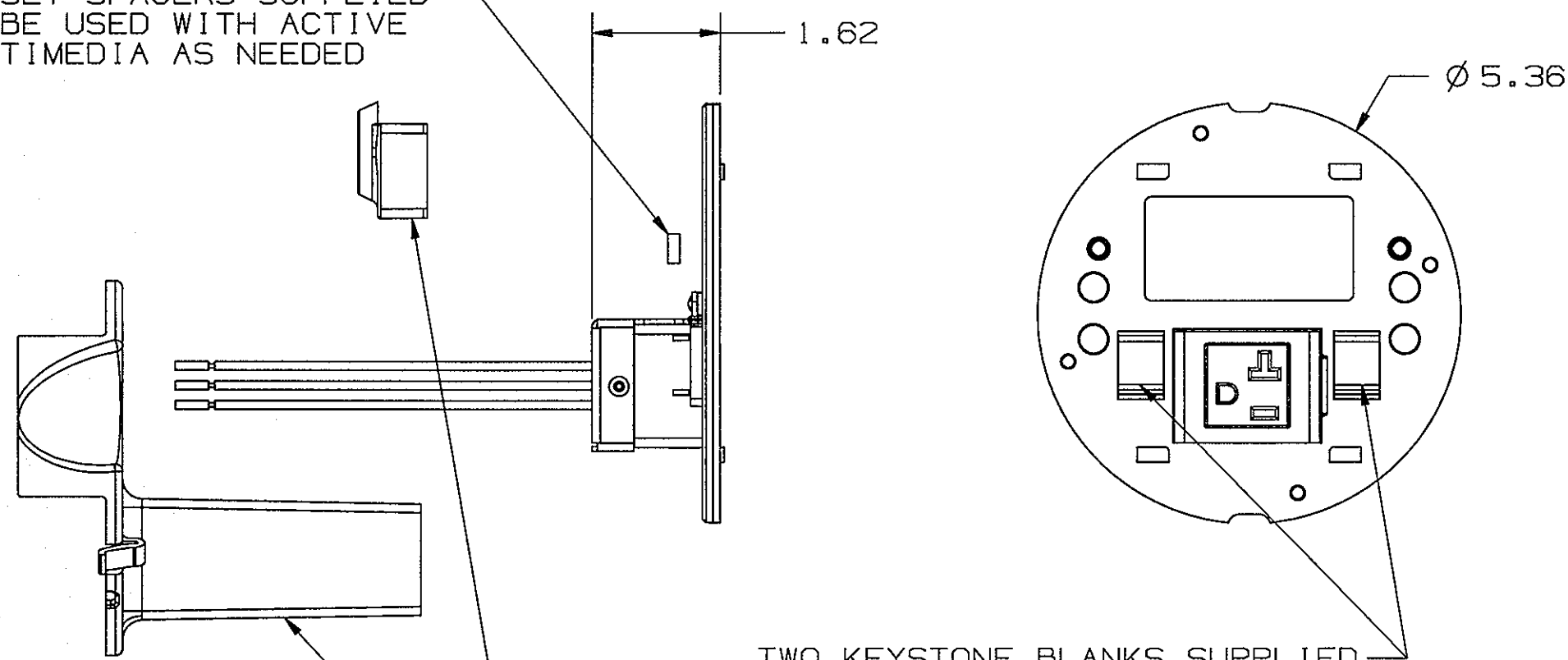


M-11003 2

OFFSET SPACERS SUPPLIED TO BE USED WITH ACTIVE MULTIMEDIA AS NEEDED



TWO KEYSTONE BLANKS SUPPLIED TO BE REPLACED BY FLUSH KEYSTONE MODULES

TWO ADAPTORS SUPPLIED TO MAINTAIN POWER/DATA SEPARATION FOR MULTIPLE APPLICATIONS

SISPAMM20 SHOWN

CATALOG NO.	RECEPTACLE MARKING
SISPAMM20	-
SISPAMM20C	CONTROLLED

TO BE USED WITH THE SYSTEM ONE PRODUCT LINE OF FLOORBOXES AND POKETHROUGHS

CODE 74545

LIST OF PARTS

DESCRIPTION	MATERIAL	FINISH
ADAPTOR SUBPLATE	ALUMINUM	BLACK
20A RECEPTACLE ASSY	THERMOPLASTIC	BLACK
(2) RIVETS	ALUMINUM	
RECEPTACLE UPPER ADAPTOR	STEEL	GALVANIZE/BLACK
RECEPTACLE LOWER ADAPTOR	STEEL	GALVANIZE
(2) WIRING ADAPTORS	THERMOPLASTIC	GRAY
KEYSTONE BLANKS	THERMOPLASTIC	BLACK
(2) OFFSET SPACERS	ALUMINUM	

DIMENSION SHEET FOR CAT. NO. REPAIRABLE NON-REPAIRABLE B M-11003 2

2	ADDED TABLE, ADDED BASE CAT NO. SHOWN PER DCN 21884. MYA	DJP	3/18/16
1	RELEASED PER DCN 14780		4/10/08
SYM	REVISIONS	APP	DATE

THE DESIGN AND DIMENSIONS OF THE PRODUCT SHOWN ON THIS DRAWING ARE SUBJECT TO CHANGE WITHOUT NOTICE

TITLE ACTIVE MULTIMEDIA + 20A SYSTEM ONE

TOLERANCES UNLESS OTHERWISE SPECIFIED .XX = ±.01 .XXX = ±.005 ANGLES = ±2°	WIRING DEVICE-KELLEMS HUBBELL INCORPORATED SHELTON, CT	
	DR. BY MSS	APP. BY
	TR. BY	SCALE 1:2
	CHK. BY	DATE 4/10/08