

M-10717 2

RECEPTACLE PRE-WIRED WITH (3)#12 AWG 24" LONG WIRES.

LIST OF PARTS

DESCRIPTION	MATERIAL	FINISH
EXT 2A/2 DATA/AC SUB PLT.	CAST ALUM.	BLACK
WIRING ENCLOSURE.AC	THERMOPLASTIC	GRAY
KEystone BLANKS	THERMOPLASTIC	BLACK

DIMENSION SHEET FOR CAT. NO.

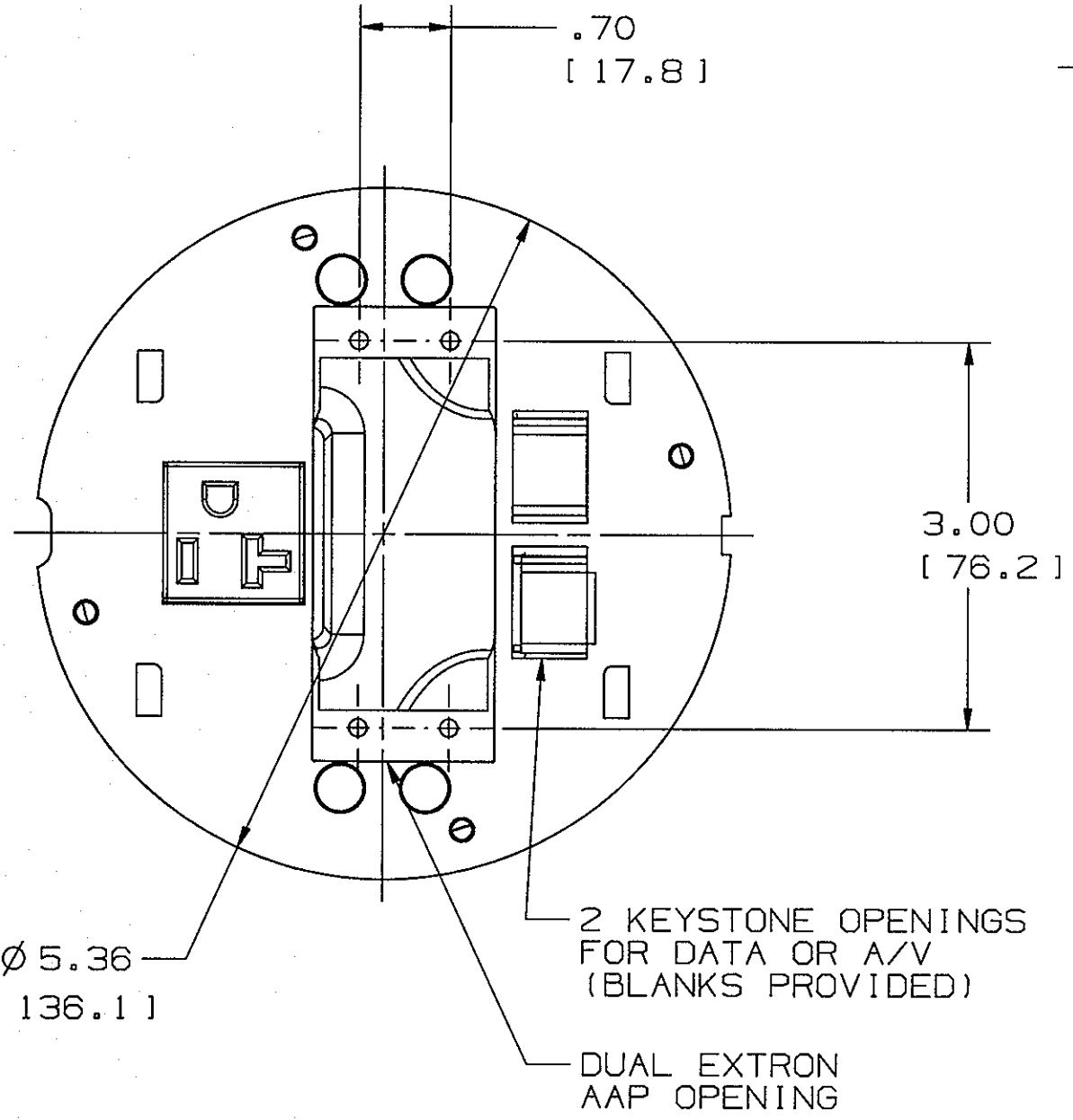
SEE TABLE

REPAIRABLE NON-REPAIRABLE

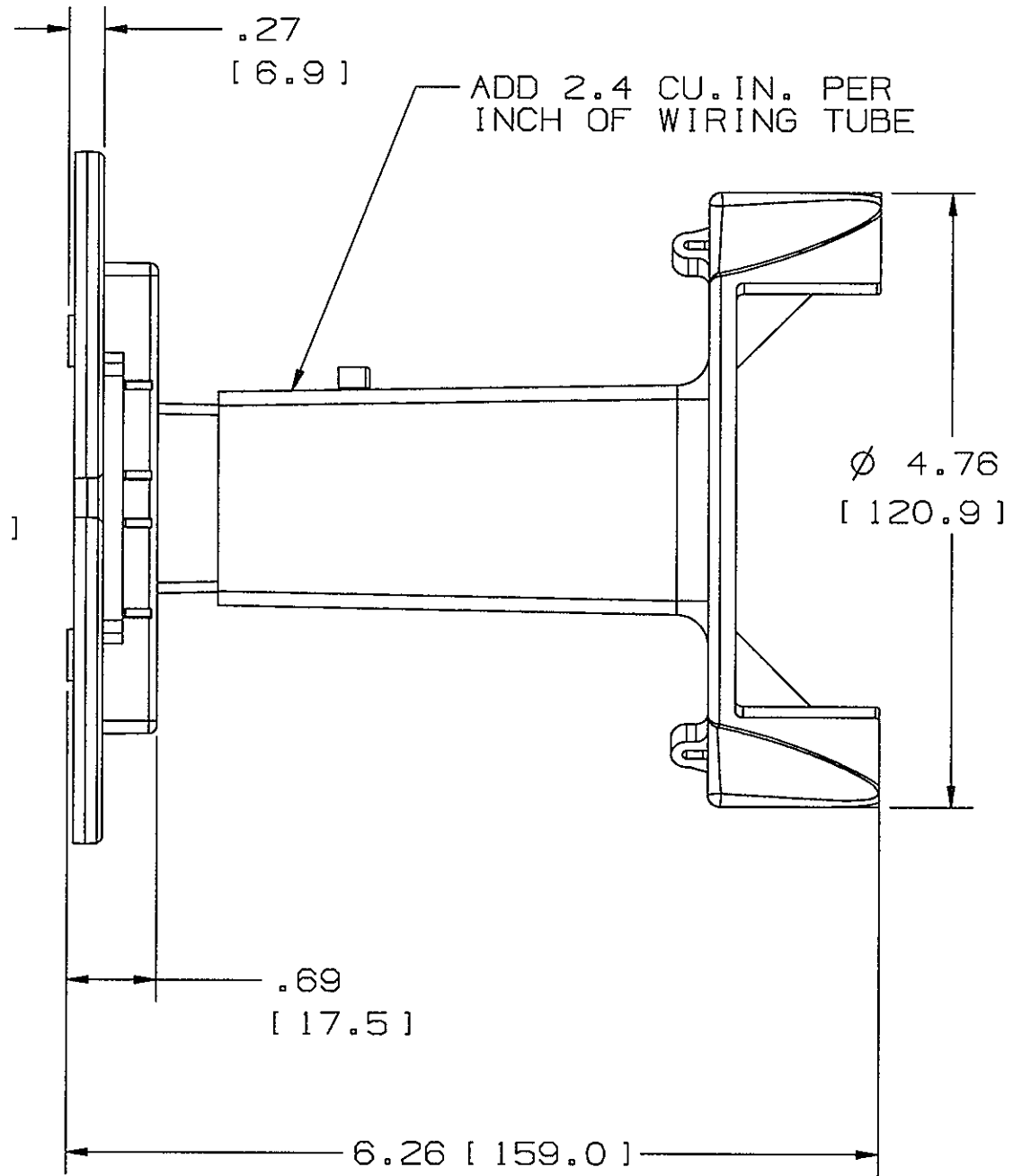
B

M-10717

2



SISPEXT4 SHOWN



DIMENSIONS IN INCHES [MM]

2	ADDED TABLE, ADDED BASE CAT NO. SHOWN PER DCN 21884. MYA	DJP	3/18/16
1	DCN 14007 INITIAL RELEASE	SM	
SYM	REVISIONS	APP	DATE

THE DESIGN AND DIMENSIONS OF THE PRODUCT SHOWN ON THIS DRAWING ARE SUBJECT TO CHANGE WITHOUT NOTICE

TITLE
SYSTEM ONE (EXTRON)
2A/2 DATA/20 AC
SUB PLATE

TOLERANCES UNLESS OTHERWISE SPECIFIED	WIRING DEVICE-KELLEMS HUBBELL INCORPORATED BRIDGEPORT, CT	
FRACTIONS $\pm 1/64$	DR. BY MSS	APP. BY SM
DECIMALS $\pm .005$	TR. BY	SCALE NONE
ANGLES $\pm 2^\circ$	CHK'D BY SM	DATE 7/19/07

CATALOG NO.	RECEPTACLE MARKING
SISPTEXT4	-
SISPEXT4C	CONTROLLED