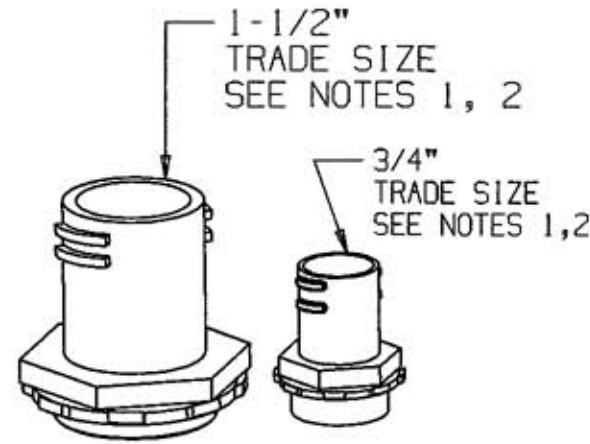
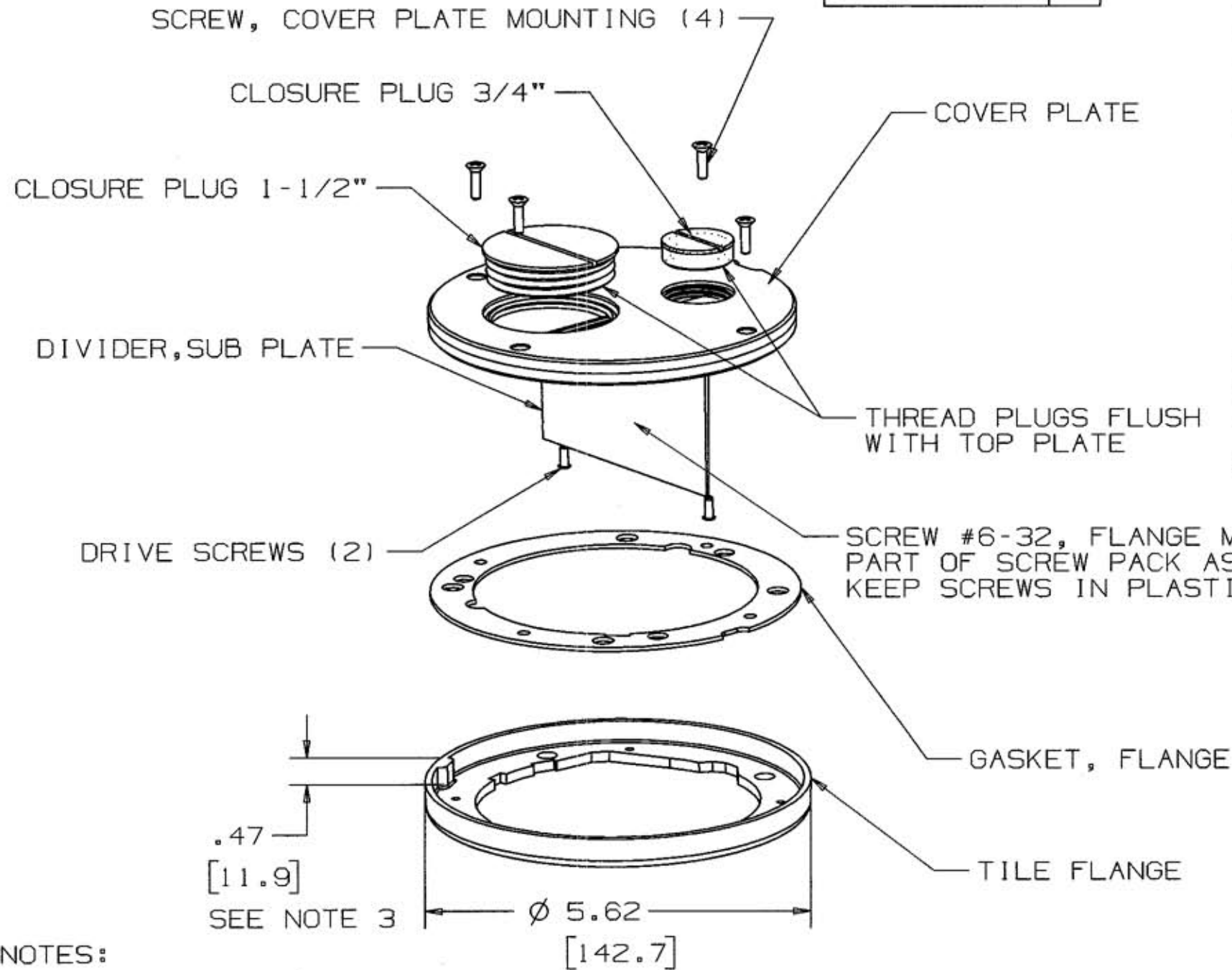


M-10722

1



P/N D61503-01

LIST OF PARTS

DESCRIPTION	MATERIAL	FINISH
CLOSURE PLUGS THD	STEEL	PAINTED
COVER PLATE, TILE/FF	DIE CAST ALUM	PAINTED
DIVIDER	POLYIMIDE	GREY
GASKET	CLOSED CELL	BLACK
TILE FLANGE	DIE CAST ALUM	PAINTED
SCREWS COVER PLATE	STEEL	PAINTED
SCREW IN CONNECTORS	DIE CAST ZINC	AS CAST
SCREWS DIVIDER	STEEL	GREY

DIMENSION SHEET FOR CAT. NO.

REPAIRABLE NON-REPAIRABLE

B

M-10722

1

1	NEW RELEASE PER DCN 14127 CAC	CAC	7/24/07
SYM	REVISIONS	APP	DATE

THE DESIGN AND DIMENSIONS OF THE PRODUCT SHOWN ON THIS DRAWING ARE SUBJECT TO CHANGE WITHOUT NOTICE

TITLE
TILE/FF FEED SUB-PLATE ASSY.

CATALOG NO.	COLOR
SISPFFTAL	ALUMINUM
SISPFTBL	BLACK
SISPFTBRS	BRASS
SISPFTGY	GRAY

TOLERANCES UNLESS OTHERWISE SPECIFIED
FRACTIONS ± 1/64
DECIMALS ± .005
ANGLES ± 2°

WIRING DEVICE-KELLEMS HUBBELL INCORPORATED BRIDGEPORT, CT
DR. BY CAC APP. BY CAC
TR. BY SCALE 1/2
CHK'D BY DATE 7-24-07

- NOTES:
- OPTIONAL: NON-METALLIC LIQUIDTIGHT FITTINGS FOR FLEXIBLE LIQUID TIGHT NON METALLIC CONDUIT TRADE SIZE 3/4" & 1-1/2". MAY BE USED FOR APPLICATION. THIS IS NOT SUPPLIED WITH PRODUCT. OPTIONAL FITTING 1. 3/4" CATALOG NO. P075NBKA, P075NGYA. OPTIONAL FITTING 2. 1-1/2" CATALOG NO. P150NBK, P150NGY.
 - METALLIC SCREW-IN CONNECTORS D61503-01 ARE PROVIDED WITH EACH CATALOG NO. SISPFFTXXX.
 - OVERALL HEIGHT WHEN INSTALLED WITH GASKET AND SUBPLATE 0.55" ± .02 [14.0] ± .5mm.
 - UL & cUL LISTED.