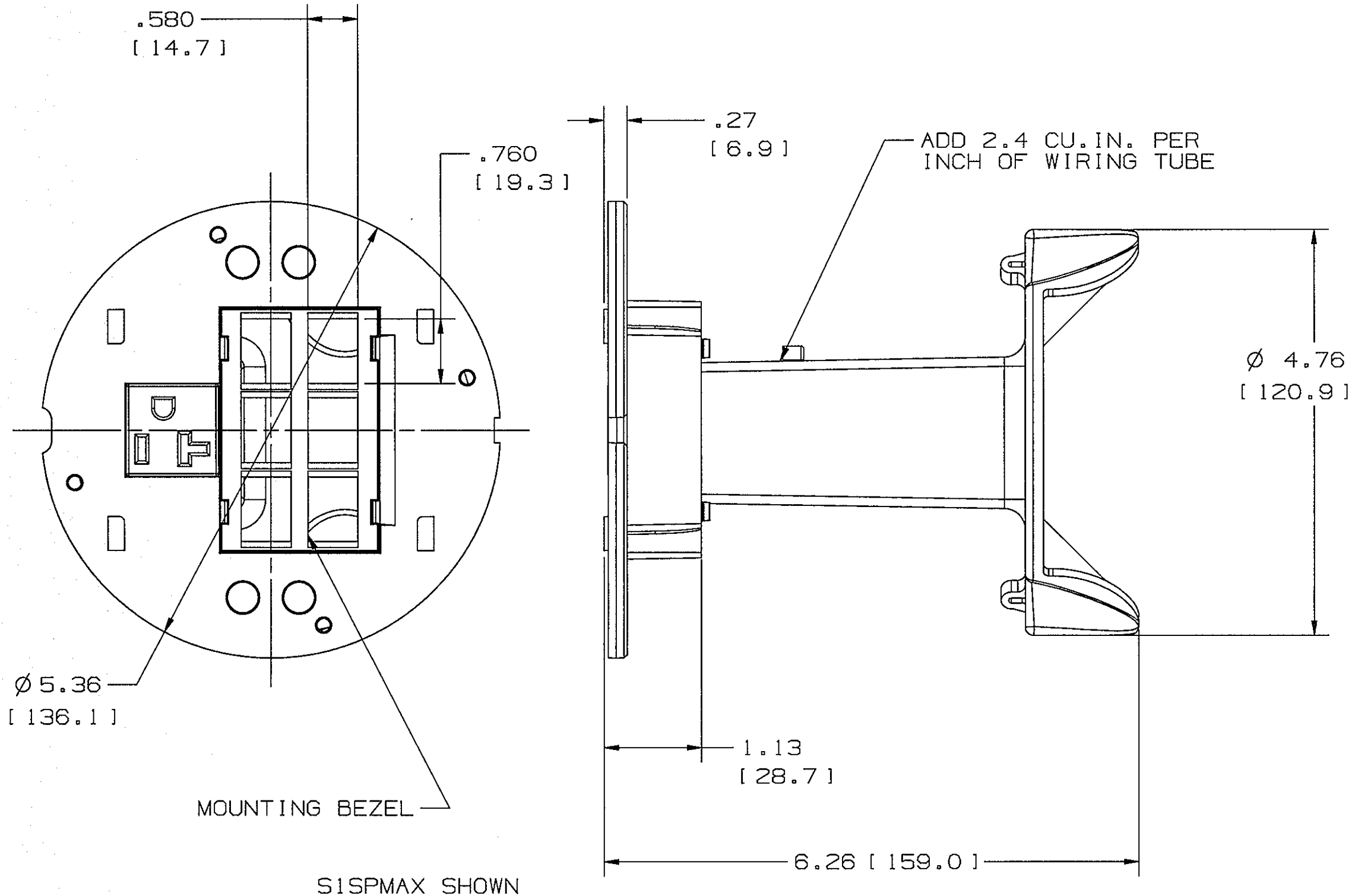


M-9540 3

RECEPTACLE PRE-WIRED
WITH (3) #12 AWG 24"
LONG WIRES.



MOUNTING BEZEL

S1SPMAX SHOWN

CATALOG NO.	RECEPTACLE MARKING
S1SPMAX	-
S1SPMAXC	CONTROLLED

DIMENSIONS IN INCHES [MM]

LIST OF PARTS

DESCRIPTION	MATERIAL	FINISH
3U INFINI SUB PLT.	CAST ALUM.	BLACK
WIRING ENCLOSURE.AC	THERMOPLASTIC	GRAY
RECEPTACLE 20A	THERMOPLASTIC	BLACK
MOUNTING BEZEL, SIEMON	PVC	IVORY

SYM	REVISIONS	APP	DATE
3	ADDED TABLE, ADDED BASE CAT NO. SHOWN PER DCN 21884. MYA	DJP	3/17/16
2	ADDED .580 [14.7], .760 [19.3], ADD 2.4 CU. IN. NOTE, RECEPTACLE PRE-WIRED NOTE, & REVISED TITLE BLOCK FOR SYSTEM ONE PER DCN 12261 TLS	TLS	3-9-05
1	DCN11999 INITIAL RELEASE	TLS	11-8-04

THE DESIGN AND DIMENSIONS OF THE PRODUCT SHOWN ON THIS DRAWING ARE SUBJECT TO CHANGE WITHOUT NOTICE

TITLE SYSTEM ONE
SUB PLATE ASSEMBLY
3U INFINI (SIEMON JACK)
20A 125V

TOLERANCES UNLESS OTHERWISE SPECIFIED FRACTIONS ± 1/64 DECIMALS ± .005 ANGLES ± 2°	WIRING DEVICE-KELLEMS HUBBELL INCORPORATED BRIDGEPORT, CT	
	DR. BY PAC	APP. BY TLS
	TR. BY	SCALE NONE
	CHK'D BY TLS	DATE 9-21-04

DIMENSION SHEET FOR CAT. NO.

SEE TABLE

REPAIRABLE

NON-REPAIRABLE

B

M-9540

3