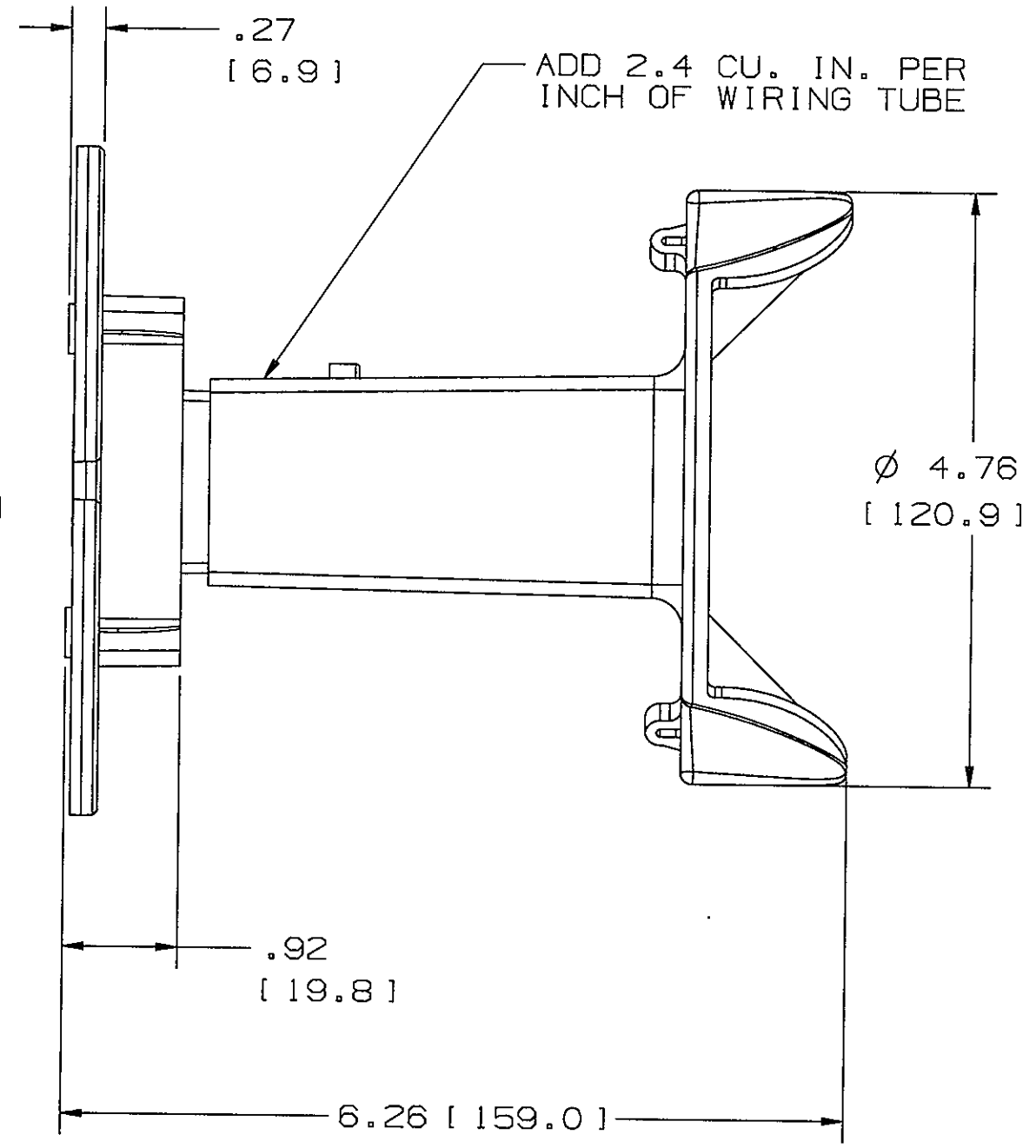
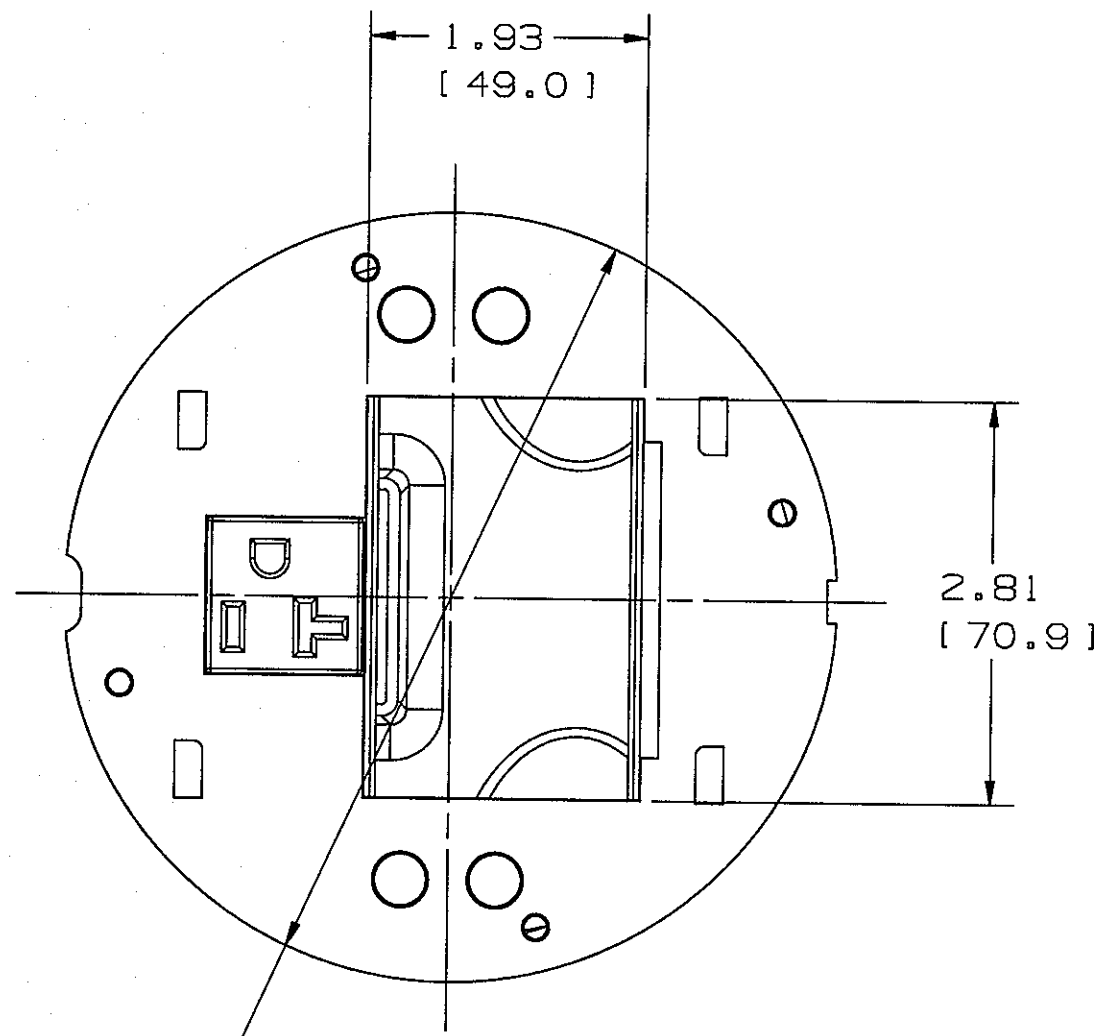


M-9538 3

RECEPTACLE PRE-WIRED
WITH (3) #12 AWG 24"
LONG WIRES.



CATALOG NO.	RECEPTACLE MARKING
SISPORT	-
SISPORTC	CONTROLLED

LIST OF PARTS

DESCRIPTION	MATERIAL	FINISH
ORTR. SERIES II SUB PLT.	CAST ALUM.	BLACK
WIRING ENCLOSURE.AC	THERMOPLASTIC	GRAY
RECEPTACLE 20A	THERMOPLASTIC	BLACK

3	ADDED TABLE, ADDED BASE CAT NO. SHOWN PER DCN 21884. MYA	DJP	3/17/16
2	ADDED 1.93 [49.0], 2.79 [70.9], ADD 2.4 CU. IN. NOTE, RECEPTACLE PRE- WIRED NOTE, & REVISED TITLE BLOCK FOR SYSTEM ONE PER DCN 12261 TLS	TLS	3-9-05
1	DCN11999 INITIAL RELEASE	TLS	11-8-04
SYM	REVISIONS	APP	DATE

THE DESIGN AND DIMENSIONS OF THE
PRODUCT SHOWN ON THIS DRAWING ARE
SUBJECT TO CHANGE WITHOUT NOTICE

TITLE SYSTEM ONE
SUB PLATE ASSEMBLY
ORTRONICS SERIES II
20A 125V

TOLERANCES UNLESS OTHERWISE SPECIFIED FRACTIONS ±1/64 DECIMALS ±.005 ANGLES ±2°	WIRING DEVICE-KELLEMS HUBBELL INCORPORATED BRIDGEPORT, CT	
	DR. BY PAC	APP. BY TLS
	TR. BY	SCALE NONE
	CHK'D BY TLS	DATE 9-21-04

DIMENSIONS IN INCHES [MM]

CODE 74545

DIMENSION SHEET FOR CAT. NO. M-9538
 SEE TABLE
 REPAIRABLE
 NON-REPAIRABLE
 B
 M-9538
 W