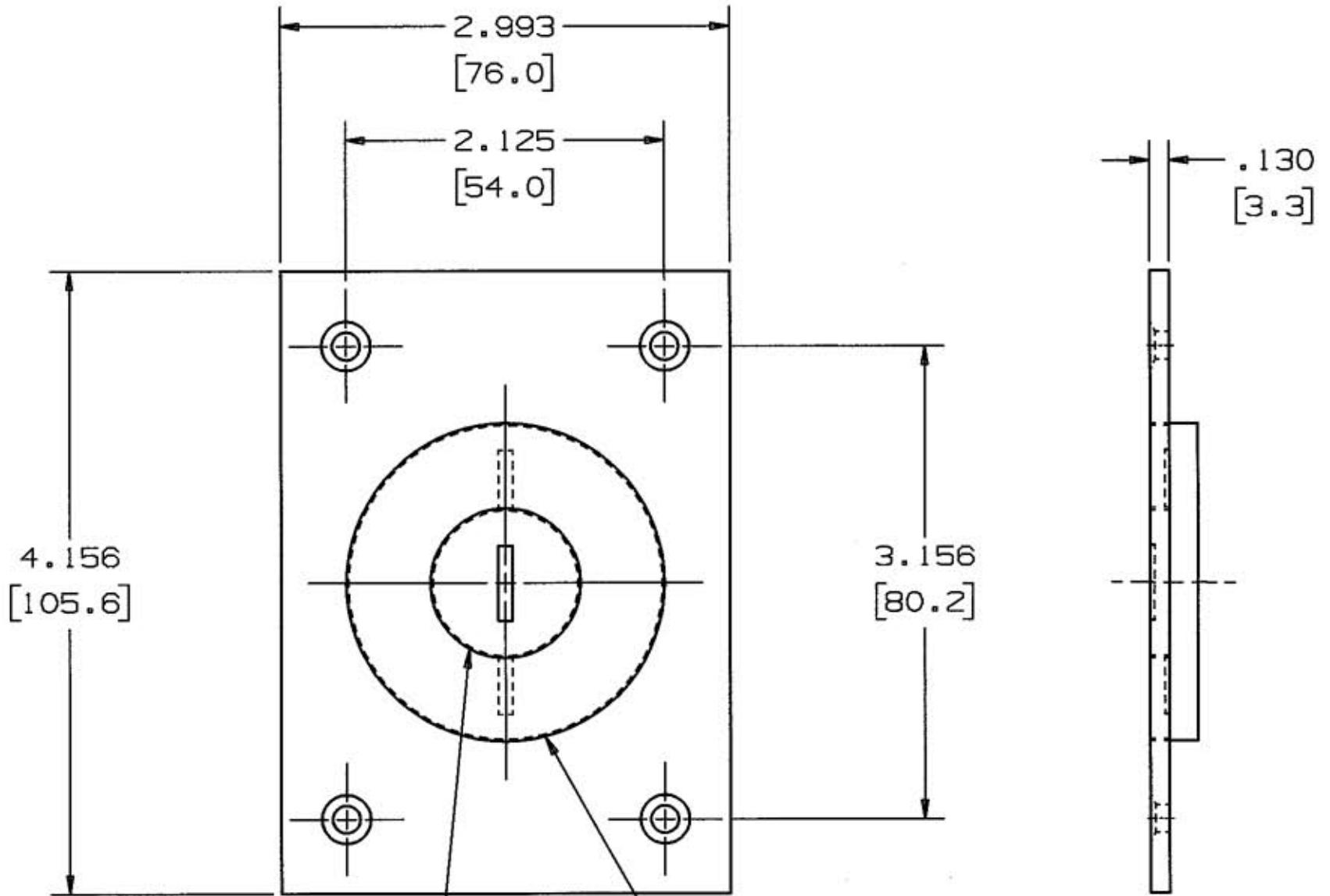


M-8512 1



1" THREADED CROWN PLUG

2 1/8" THREADED FLUSH CAP RING

NOTES: (UNLESS OTHERWISE SPECIFIED)

1) DIMENSION FORMAT IS: INCHES [ mm ]

2) DIMENSIONS SHOWN ON THIS DRAWING ARE NOMINAL VALUES FOR GENERAL USE ONLY. ACTUAL PART TOLERANCES MUST BE OBTAINED FROM HUBBELL ENGINEERING.

CAT. NO.	MATERIAL	FINISH
S2625	BRASS	BRUSHED & LACQUERED
SA2625	ALUMINUM	LACQUERED

LIST OF PARTS

DESCRIPTION	MATERIAL	FINISH
SEE TABLE		

DIMENSION SHEET FOR CAT. NO. SEE TABLE

REPAIRABLE  NON-REPAIRABLE

1	X REMOVED; LAST X-REVISION WAS X-0. RELEASED FOR PRODUCTION PER DCN #8674. JMN	TCM	7/27/01
SYM	REVISIONS	APP	DATE

THE DESIGN AND DIMENSIONS OF THE PRODUCT SHOWN ON THIS DRAWING ARE SUBJECT TO CHANGE WITHOUT NOTICE

TITLE  
RECTANGULAR FLOOR BOX COVER PLATE COMBINATION 2 1/8" X 1"

TOLERANCES UNLESS OTHERWISE SPECIFIED	WIRING DEVICE-KELLEMS HUBBELL INCORPORATED BRIDGEPORT, CT	
FRACTIONS ± 1/64	DR. BY JMN	APP. BY JND
DECIMALS ± .005	TR. BY	SCALE 1:1
ANGLES ± 2°	CHK'D BY TCM	DATE 7/27/01

B

M-8512

1