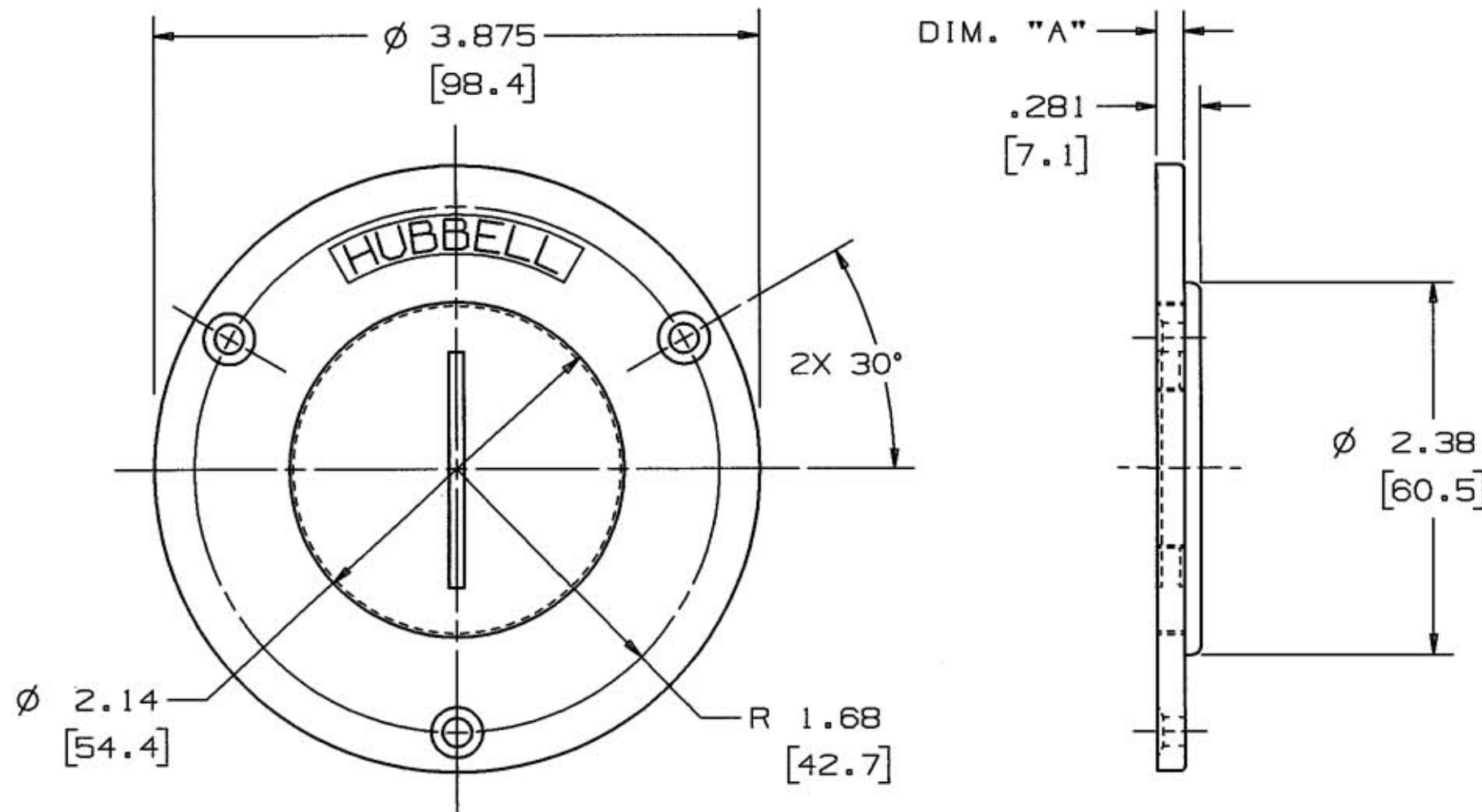


# M-7508 2



CAT. NO.	MATERIAL			DIM. "A"
	COVER	CAP	FLAT HD. SCREW	
S2925	BRASS	BRASS	BRASS	.156 [4.0]
SA2925	ALUMINUM	ALUMINUM	STAINLESS STEEL	.187 [4.7]

NOTES: (UNLESS OTHERWISE SPECIFIED)

- 1) DIMENSION FORMAT IS: INCHES [ mm ]
- 2) DIMENSIONS SHOWN ON THIS DRAWING ARE NOMINAL VALUES FOR GENERAL USE ONLY. ACTUAL PART TOLERANCES MUST BE OBTAINED FROM HUBBELL ENGINEERING.

## LIST OF PARTS

DESCRIPTION	MATERIAL	FINISH
COVER PLATE	SEE TABLE	BRUSHED
FLUSH CAP	SEE TABLE	NATURAL
COVER GASKET	RUBBER	
CAP GASKET	NEOPRENE	
FLATHEAD SCREW	SEE TABLE	NATURAL

SUPERSEDES DRAWING DATED 6-27-72

2	REDRAWN ON CAD WITH CHANGES ON UPDATED DRAWING FORMAT. DIMENSIONS CONVERTED FROM FRACTIONAL TO DUAL. ADDED DIM. "A" AND NOTES 1 & 2. PRODUCTION PER DCN #8674. JMN	TCM	7/27/01
---	--	-----	---------

SYM	REVISIONS	APP	DATE

THE DESIGN AND DIMENSIONS OF THE PRODUCT SHOWN ON THIS DRAWING ARE SUBJECT TO CHANGE WITHOUT NOTICE

TITLE  
ROUND FLOOR BOX COVER FOR SINGLE RECEPTACLE

WIRING DEVICE-KELLEMS HUBBELL INCORPORATED BRIDGEPORT, CT	
DR. BY ASM	APP. BY JNC
TR. BY JMN	SCALE 1:1
CHK'D BY TCM	DATE 7/30/01

DIMENSION SHEET FOR CAT. NO. SEE TABLE  
 REPAIRABLE  NON-REPAIRABLE   
**B**  
**M-7508**  
**2**