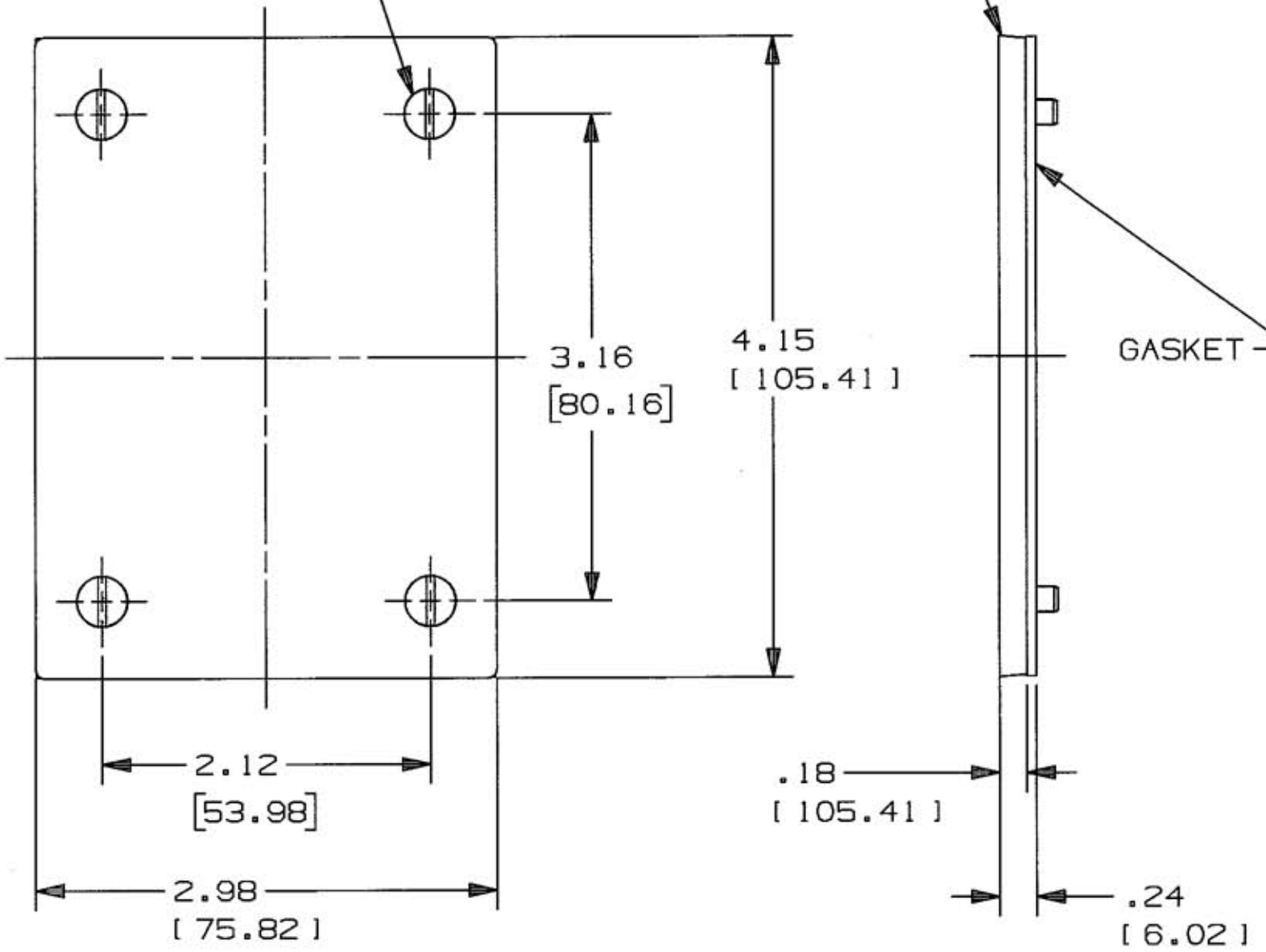


M-8589 2

SCREW ASSY.
(4 IN POLYBAG)

BLANK COVER

GASKET



NOTE:
1. DIM'S. INCHES [MM].

CATALOG NO.	DESCRIPTION	COVER MATERIAL
S3813	BLANK COVER	BRASS (BRUSH FINISH)
SA3813	BLANK COVER	ALUMINUM (BRUSH FINISH)

LIST OF PARTS

DESCRIPTION	MATERIAL	FINISH
BLANK COVER	SEE TABLE	
#8-32 SCREW MTG.	BRASS	
#8-32 SCREW MTG.	STN.STL.	
GASKET	ARMSTRONG CS-301	BROWN

2	TITLE WAS BLANK COVER, ADD ISO VIEW, MTG DIMS. BRUSH FINISH. DCN9086 GK/TS		11/7/01
1	INITIAL RELEASE #8865-1	TLS	9-10-01
SYM	REVISIONS	APP	DATE

THE DESIGN AND DIMENSIONS OF THE PRODUCT SHOWN ON THIS DRAWING ARE SUBJECT TO CHANGE WITHOUT NOTICE

TITLE RECTANGULAR FLOOR BOX BLANK COVER

TOLERANCES UNLESS OTHERWISE SPECIFIED	WIRING DEVICE-KELLEMS HUBBELL INCORPORATED BRIDGEPORT, CT	
FRACTIONS ± 1/64	DR. BY PAC	APP. BY TLS
DECIMALS ± .005	TR. BY	SCALE 1-1
ANGLES ± 2°	CHK'D BY TLS	DATE 9-10-01

DIMENSION SHEET FOR CAT. NO.

SEE TABLE

REPAIRABLE

NON-REPAIRABLE

B

M-8589

2