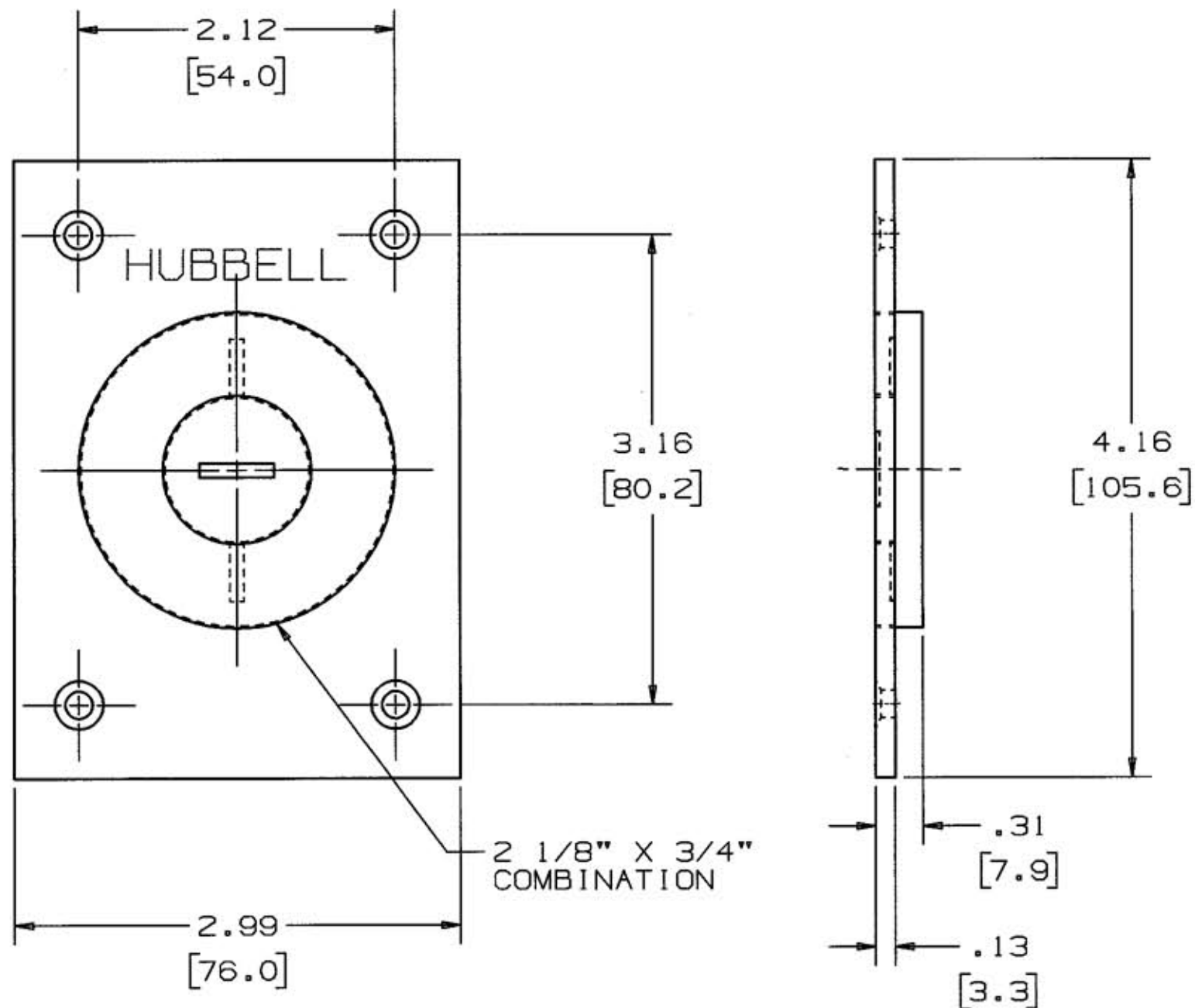


M-7591 2



CATALOG NO.	MATERIAL		
S 2425	COVER BRASS	CAP BRASS	FLAT HD. SCREW BRASS
SA2425	ALUMINUM	ALUMINUM	STAINLESS STEEL

LIST OF PARTS		
DESCRIPTION	MATERIAL	FINISH
SEE TABLE		
COVER PLATE	TABLE	BRUSHED
FLUSH CAP	TABLE	NATURAL
COVER GASKET	RUBBER	
CAP GASKET	NEOPRENE	
CROWN PLUG	TABLE	NATURAL
FLAT HEAD SCREW	TABLE	NATURAL

SYM	REVISIONS	APP	DATE
2	1/28/02 ADDED METERIC EQUIVALENTS TO ALL DIMS. PER DCN 8696 SPN	TCM	2/7/02
1	X REMOVED; LAST X-REVISION WAS X-0. RELEASED FOR PRODUCTION PER DCN #8674. JMN	TCM	7/27/01

THE DESIGN AND DIMENSIONS OF THE PRODUCT SHOWN ON THIS DRAWING ARE SUBJECT TO CHANGE WITHOUT NOTICE

TITLE
RECTANGULAR FLOOR BOX COVER FOR SINGLE RECEPTACLE OR SERVICE FITTING

TOLERANCES UNLESS OTHERWISE SPECIFIED	WIRING DEVICE-KELLEMS HUBBELL INCORPORATED BRIDGEPORT, CT	
FRACTIONS ±1/64	DR. BY A.J.L.	APP. BY JNC
DECIMALS ±.005	TR. BY	SCALE 1:1
ANGLES ±2°	CHK'D BY	DATE 11/5/82

NOTES: (UNLESS OTHERWISE SPECIFIED)
1) DIMENSION FORMAT IS: INCHES [mm]

DIMENSION SHEET FOR CAT. NO. SEE TABLE

REPAIRABLE NON-REPAIRABLE

B

M-7591

2