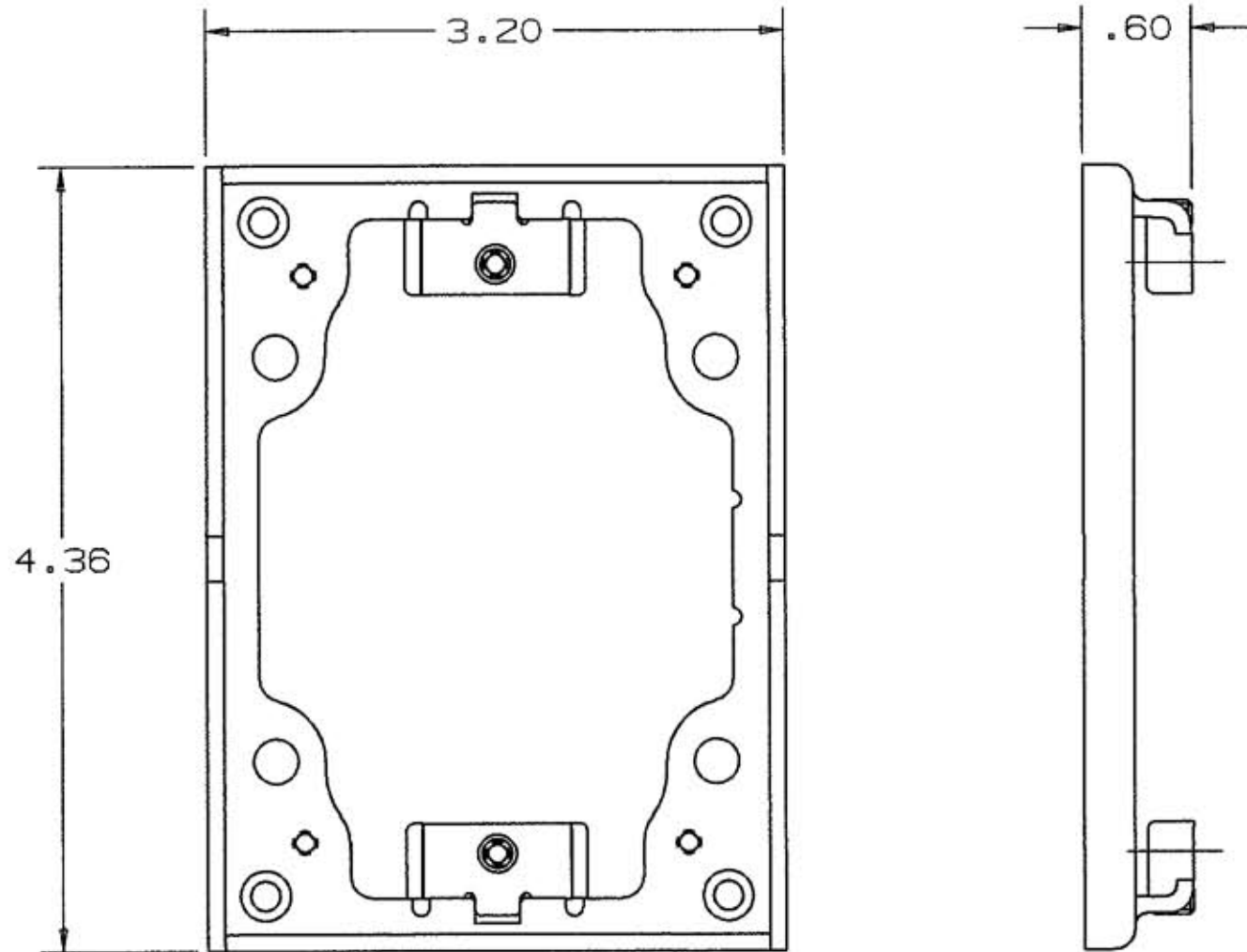


M-7866

1



CATALOG NO.	COVERFRAME
S5017A	BRASS
SA5017A	ALUMINUM

LIST OF PARTS

DESCRIPTION	MATERIAL	FINISH
COVERFRAME	SEE CHART	NATURAL
SPACERS	POLYESTER	

DIMENSION SHEET FOR CAT. NO.

S5017A, SA5017A

REPAIRABLE

NON-REPAIRABLE

1	02/9/98 NEW RELEASE PER DCN 5798 CAC	MS	980313
SYM	REVISIONS	APP	DATE

THE DESIGN AND DIMENSIONS OF THE PRODUCT SHOWN ON THIS DRAWING ARE SUBJECT TO CHANGE WITHOUT NOTICE

TITLE  
COVERFRAME ASSEMBLY

TOLERANCES UNLESS OTHERWISE SPECIFIED FRACTIONS ± 1/64 DECIMALS ± .005 ANGLES ± 2°	WIRING DEVICE-KELLEMS HUBBELL INCORPORATED BRIDGEPORT, CT	
	DR. BY CAC	APP. BY MS
	TR. BY	SCALE 1:1
	CHK'D BY	DATE 12/15/97

B

M-7866

1